



Spare Parts Catalog

16 S 2520 TO

Material number: 1343.002.056

Current date: 03.09.2014

ZF Friedrichshafen AG
Hauptverwaltung
80038 Friedrichshafen
Deutschland

Telefon: +49 7541 77-0

Telefax: +49 7541 77-908000

www.zf.com

zuständiges Werk:
Friedrichshafen

Notes relating to the spare parts catalog

Setup of the spare parts catalog

- Cover sheet
- Technical Cover (only in SDM print)
- Overview of figures
- Figure
- Associated parts list
- Next figure
- Associated parts list
- ...

Figure and parts list



Overview of figures

Bildtafel Figure	Sachnummer Product number	Benennung (Description)	Technische Info Technical info	Description (Benennung)	Menge Quantity	Einheit Unit
068.08.17	1316.170.001	AUSLEGER	WL	SHIFT TURRET	1	Stk
068.08.06	1316.170.031	DECKEL	WL*H-H *VM	COVER	1	Stk
068.08.14	1316.170.808	DECKEL	WL*AUSL+GEH*H-H*HF160N	COVER	1	Stk
08	1316.170.441	ANSCHLUSSTEILE	WL*NG-VORB*RG-SCHL*168N *BAJONETT	CONNECTING PARTS	1	Stk

The "gap" indicates that there is no separate graphics panel (poster) for this assembly
The parts of this assembly are shown with the same mid-section number on the figure

1 Positions and subpositions

Pos.	Sachnummer Product number	Benennung (Description)	Technische Info Technical info	Description (Benennung)	Menge Quantity	Einheit Unit
0370	1315.201.054	RUECKLAUFBOLZEN	KPL.16S151*SG*L= 79	REV.IDLER SHAFT	1	Stk
/0120	0631.329.293	SPANNSTIFT		SLOT. PIN	1	Stk

Positions marked with "/" are the individual items of a completion
For example: Position 0370 contains a centering pin with the position /0120

2 Combinations with standardized parts

Pos.	Sachnummer Product number	Benennung (Description)	Technische Info Technical info	Description (Benennung)	Menge Quantity	Einheit Unit
0630		VERSCHL.SCHR.		SCREW PLUG	1	Stk
	0636.302.067	VERSCHL.SCHR.		SCREW PLUG	1	Stk
	0634.801.249	DICHTRING	A 26 X 31	SEALING RING	1	Stk

The parts list shows the components included in the combination of standardized parts

3 Depiction of position/item number on the figure and in the parts list

01.620 - on the figure 01 relates to the assembly in which the position is included. Due to program-related reasons, it is shown on the figure.

0620 - in the parts list

Pos.	Sachnummer Product number	Benennung (Description)	Technische Info Technical info	Description (Benennung)	Menge Quantity	Einheit Unit
0620	0732.040.736	DRUCKFEDER		COMPRESSION SPRING	1	Stk

4 *-Positions

Positions marked with an * are optional i.e. inclusion in the parts list is not mandatory.
The following note is shown on the figure

je nach Stücklistenausführung
depending on spec. number
*
suivant la nomenclature
secondo la distinta base

5 Parts, dotted display

Parts with dotted display on the figure are only used for orientation of other parts

Technical Cover

Page 1 from 5



Material number: 1343.002.056

16 S 2520 TO /

Pos.	Information	Amendment number
001	Use case -----	
002	Customer IVECO MAGIRUS AG	
003	City Ulm	
004	DUNS 31-561-9072	
005	Vehicle / Apparatus -----	
006	Sales Name TRAKKER	
007	Manufacturer IVECO MAGIRUS AG	
008	Engineering Name	
009	Product Use TRUCK	
010	Vehicle/Hardware Type ROAD TRACTOR	
011	SOP	
012	Engine	
013	Sales Designation	
014	Manufacturer IVECO FIAT SPA	
015	Eng.Displ.	
016	Cylinder	
017	Nom. power 331 kW	
018	RPM at nom. power 1900 1/min	
019	Nom. torque 2200 Nm	
020	RPM at nom. torque 1000 1/min	
021	Classification use case -----	
026	DYNAMIC TYRE RADIUS 490 mm	
027	REAR AXLE RATIO 3.79	
031	PERMISS.GROSS VEHICLE WEIGHT 38 t	
033	Product description -----	
034	INSTALLATION POS TRANSMISSION HORIZONTAL LEFT	
035	TRANSMISSION ATTACHMENT FLANGE-MOUNTED	
036	RATIO, BOTTOM GEAR 13.8	
037	RATIO, TOP GEAR .84	
038	RATIO, 1ST GEAR 13.8	
039	RATIO, 2ND GEAR 11.54	
040	RATIO, 3RD GEAR 9.49	
041	RATIO, 4TH GEAR 7.93	



Pos.	Information	Amendment number
042	RATIO, 5TH GEAR 6.53	
043	RATIO, 6TH GEAR 5.46	
044	RATIO, 7TH GEAR 4.57	
045	RATIO, 8TH GEAR 3.82	
046	RATIO, 9TH GEAR 3.02	
047	RATIO, 10TH GEAR 2.53	
048	RATIO, 11TH GEAR 2.08	
049	RATIO, 12TH GEAR 1.74	
050	RATIO, 13TH GEAR 1.43	
051	RATIO, 14TH GEAR 1.2	
052	RATIO, 15TH GEAR 1	
053	RATIO, 16TH GEAR .84	
054	RATIO, 1ST GEAR REVERSE 12.92	
055	RATIO, 2ND GEAR REVERSE 10.8	
056	SET OF RATIOS SG	
057	RATIO RANGE BASIC DG	
058	NUMBER OF PLANETARY GEARS 5	
059	RATIO PLANETARY GEAR SET 4.565	
060	VER. SPLINE PLANETARY GEAR SET OBLIQUE TOOTHING	
061	DESIGN, SHIFT SYSTEM TURNING SHAFT	
062	POSITION, GEAR SHIFT SYSTEM HORIZONTAL LEFT	
063	DESIGN, SHIFT PATTERN H-H	
064	VERSION SHIFT SUPPORT SERVO	
065	VERSION ACTUATION SHIFT SYSTEM MECHANICAL	
068	VERSION TUBE R/C PLASTIC-FORM-PIPE	
069	VERSION TUBE SERVO PLASTIC PIPING	
070	NOTE ON VERSION SHIFT SYSTEM AIR SHUT-OFF:MAGNET-VALVE	
071	DESIGN DOWNSHIFT GATE INTERLOCK WITHOUT GROOVE	
072	VERSION TUBE GATE INTERLOCK WITHOUT PIPING	
073	1ST CUSTOMER SPEC SHIFT SYSTEM SOLENOID VALVE	
074	2ND CUSTOMER SPEC SHIFT SYSTEM WITHOUT GROOVE	
075	DIA THROTTLE MAIN CUTOFF VALVE 1.55 mm	
076	NO. TAPPETS MAIN CUTOFF VALVE 2	



Pos.	Information	Amendment number
077	POS. AIR CON MAIN CUTOFF VALVE F	
079	DIA.THROTTLE VALVE AIR SUPPLY 1.300 mm	
080	SELECTION PATTERN VARIANT GEAR SHIFT PATTERN 1	
081	DESIGN, SEPARATING CLUTCH FULL-SYNCHRONIZED	
082	VERSION OF SYNCHRONIZER 1 1.-4.GEAR BK-SYNCHRONIZATION	
084	REFERENCE LENGTH INPUT SHAFT 117 mm	
085	STANDARD TYPE INPUT SHAFT SAE	
086	NUMBER OF WEDGES INPUT SHAFT 10	
087	VERSION OF INPUT SHAFT FORM C	
088	NOMINAL DIAMETER INPUT SHAFT 2 in	
089	DIAMETER, JOURNAL, INPUT SHAFT 25 mm	
090	TYPE FIT SPIGOTS INPUT SHAFT F7	
091	VER. BEAR. SPIGOTS INPUT SHAFT TAPER ROLLER	
092	LENGTH, INPUT SHAFT 403.5 mm	
093	DIAMETER SHAFT OF INPUT SHAFT 50.3 mm	
094	LENGTH, PROFILE, INPUT SHAFT 120 mm	
095	BUSH VARIANT INPUT SHAFT WITHOUT GROOVE	
096	VERSION BEARING CONSTANT 1 GL	
097	DIAMETER BEARING INPUT SHAFT 99.916 mm	
098	TYPE FIT BEAR. INPUT SHAFT H5	
099	DESIGN,CONN., CLUTCH HOUSING SAE 1	
100	CENTR.DIA,HSG/ENGINE CONNECT. 511.175 mm	
101	NUMBER OF BORES,ENGINE CONN. 12	
102	BORE DIA, ENGINE CONNECTION 11 mm	
103	VERSION OF CLUTCH HOUSING INTEGRATED	
105	VERSION ENGINE CONNECTION NOT FORDABLE	
106	POSITION MOUNT. FACE HOUSING 2 WITHOUT GROOVE	
107	LENGTH CLAMP. FLAP RH ENG CONNECT. 292 mm	
110	REF.LENGTH,RELEASE BEAR.FLAN -3 mm	
111	DIAMETER, RELEASE FLANGE 62.611 mm	
113	DIAMETER BEARING BUSH RELEASE UNIT LH 35 mm	
115	ASSEMBLY POS. CLUTCH CYLINDER 6	
116	OUTER DIA. OUTPUT FLANGE RA 180 mm	



Pos.	Information	Amendment number
117	NO.OF BORES OUTPUT FLANGE HA1 4	
119	BORE DIA. OUTPUT FLANGE RA 15 mm	
123	CORROS.PROTECTION, OUTP.FLANGE COATED	
124	REF. LENGTH OUTPUT FLANGE RA 211.5 mm	
125	DIMENSION SHIFT TURRET DIST. 300 mm	
126	MEAS. LOC. SHIFT TURRET DIST. SHIFT LEVER-LOCATION	
134	SHIFT LEVER CONNECTION KNURLING	
140	SPRING ARRANGEMENT Q1	
141	SPRING FORCE DETENT PLUNGER RG 90 N	
142	HUMP SPRING FORCE, OUTSIDE 120 N	
144	SELECTOR SPRING FORCE, OUTSIDE 50 N	
147	SPRING FORCE OUTS. DETENT NEUT 200 N	
148	ALLOCATION DETENT LEVER VER. A	
149	SWITCH, REVERSE GEAR y	
150	DESIGN, RG (REV.GEAR) SWITCH CLOSING	
151	DESIGN, CONNECTION, RG SWITCH DIN BAYONET	
152	CODE SWITCH RG A1	
153	PROT.CAP SWITCH, REVERSE GEAR y	
154	NOTE ON SWITCH, REVERSE GEAR G.SHIFT SHAFT	
155	SWITCH, NEUTRAL GEAR y	
156	DESIGN,NG(NEUTRAL GEAR)SWITCH OPENING SWITCH	
157	DESIGN, CONNECTION, NG SWITCH DIN BAYONET	
158	CODE SWITCH NG A1	
159	PROT.CAP SWITCH, NEUTRAL GEAR y	
180	FUNCTION OF R/C SWITCH GP	
181	DESIGN, GP SWITCH CLOSING	
182	DESIGN, CONNECTION, GP SWITCH DIN BAYONET	
184	PROTECTING CAP GP SWITCH y	
185	FUNCTION OF S/G SWITCH GV	
186	DESIGN, GV SWITCH PREPARED	
189	PROTECTING CAP GV SWITCH n	
227	ATTACHM.POS.HEAT EXCHANGER IN FRONT LEFT PREPARED	
229	VER. TRANSMISSION VENTILATION PLUG CONNECTION 90 DEGREE	



Material number: 1343.002.056

Pos.	Information	Amendment number
237	VERSION PULSE SENSOR SFA H68 WITHOUT GROOVE	
241	PROT.CAP PULSE SENSOR SFA H68 n	
242	NO. PULSES PULSE SENSOR SFAH68 6 IMP/U	
247	VER. PULSE SENSOR TRANSM. H70 WITHOUT GROOVE	
251	PROT.CAP PULSE SENSOR TM H70 n	
252	NO PULSES PULSE SENSOR TM H70 6 IMP/U	
253	ASSEMBLY POS PULSE SENSOR H70 1	
254	NOTE ASS. POS PULSE SENSOR H70 INSTALLATION DRAWING	
255	POSITION, OIL FILLER HOUSING LEFT+RIGHT	
256	NOTE ON OIL FILL FILL IN OVERFLOW	
257	OIL CAPACITY, GEARBOX 13 dm3	
258	OIL FILL VARIANT EX WORKS	
259	OIL GRADE PERMISSIBLE ACC. TO TE-ML02	
260	OIL CLASS FIRST FILLING H	
261	CODING OUTER CONSERVATION KA1	
262	SCOPE OUTER CONSERVATION T	
263	CODING INNER CONSERVATION KI1	
264	CONSERVATION SPECIFICATION ZFN 916	
265	COLOR BLACK-GREY	
266	COLOUR CLASSIFICATION ACC. TO RAL 7021	
268	INFO TO PAINTING INSTRUCTIONS	
273	Alias ID -----	
274	IVECO MAGIRUS AG 41288904	

Assembly group overview

Page 1 from 2



Material number: 1343.002.056

16 S 2520 TO /

Graphics	Pos.	Material number	Name	Quantity	Amend. no.	Techn. Info.
068.01.05-1	110	1316.101.103	TRANSMISSION HOUSING	1		
068.01.57-1	120	1316.101.514	TRANSMISSION HOUSING	1		
068.02.57-1	140	1315.102.415	CONNECTION PLATE	1		
068.02.82-1	150	1315.102.811	INPUT SHAFT	1		
068.02.02-1	910	1316.102.059	INPUT SHAFT	1		
068.03.80-1	180	1316.103.803	COUNTERSHAFT	1		
068.03.01-1	920	1316.103.013	COUNTERSHAFT	1		
068.04.13-1	930	1316.104.039	MAIN SHAFT	1		
068.06.01-1	230	1316.106.008	SHIFT SYSTEM	1		
068.06.43-1	234	1315.106.422	CONNECTING PARTS	1		
068.06.80-1	238	1315.106.800	SHIFT SYSTEM	1		
068.07.81-1	292	1316.108.817	GEAR SHIFT HOUSING	1		
068.07.36-1	910	1316.108.047	GEAR SHIFT HOUSING	1		
068.07.25-1	914	1316.108.459	GEARSHIFT SHAFT	1		
068.07.55-1	924	1316.108.026	DETENT	1		
068.07.57-1	930	1316.108.811	COVER	1		
062.08.30-1	954	1316.171.403	END COVER	1		
068.08.43-1	960	1316.171.432	PNEUMATIC SERVO UNIT	1		
068.08.94-1	964	1316.171.831	CONNECTING PARTS	1		
068.09.01-1	934	1316.109.022	CONNECTING PARTS	1		
068.09.11-1	940	1316.109.419	CONNECTING PARTS	1		
068.12.08-1	918	1316.149.422	SET OF SPRINGS	1		
068.40.04-1	500	1316.112.014	GV-SHIFT SYSTEM	1		
068.40.40-1	502	1315.112.405	CONNECTING PARTS	1		
068.43.21-1	10	1315.131.047	COVER	1		
068.43.06-1	20	1315.131.050	RC HOUSING	1		
068.43.45-1	24	1315.131.401	CONNECTING PARTS	1		
068.43.40-1	30	1315.131.400	CLOSING COMPONENTS	1		
068.43.80-1	512	1315.131.805	RC HOUSING	1		
068.44.07-1	40	1316.132.015	PLANETARY DRIVE	1		
068.44.47-1	50	1316.132.421	PLANETARY DRIVE	1		
068.45.04-1	70	1316.133.008	SYNCHRONIZER	1		

Assembly group overview

Page 2 from 2

Material number: 1343.002.056



16 S 2520 TO /

Graphics	Pos.	Material number	Name	Quantity	Amend. no.	Techn. Info.
068.45.40-1	80	1315.133.405	SYNCHRONIZER	1		
068.46.02-1	90	1316.134.021	GP SHIFT SYSTEM	1		
068.46.40-1	554	1315.134.413	CONNECTING PARTS	1		
068.57.04-1	390	1316.145.002	RANGE SELECTION	1		

Plant

Page 1 from 2

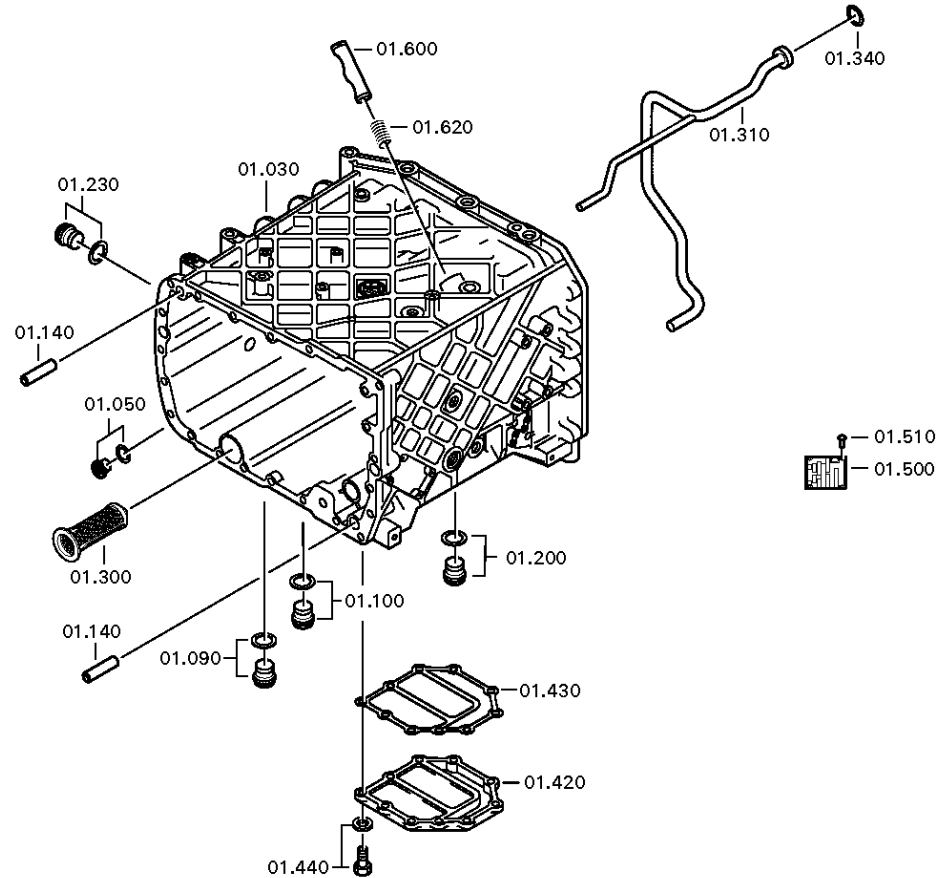
Material number: 1343.002.056

Plant: 068.01.05-1

TRANSMISSION HOUSING



16 S 2520 TO /
TRANSMISSION HOUSING



Plant

Page 2 from 2

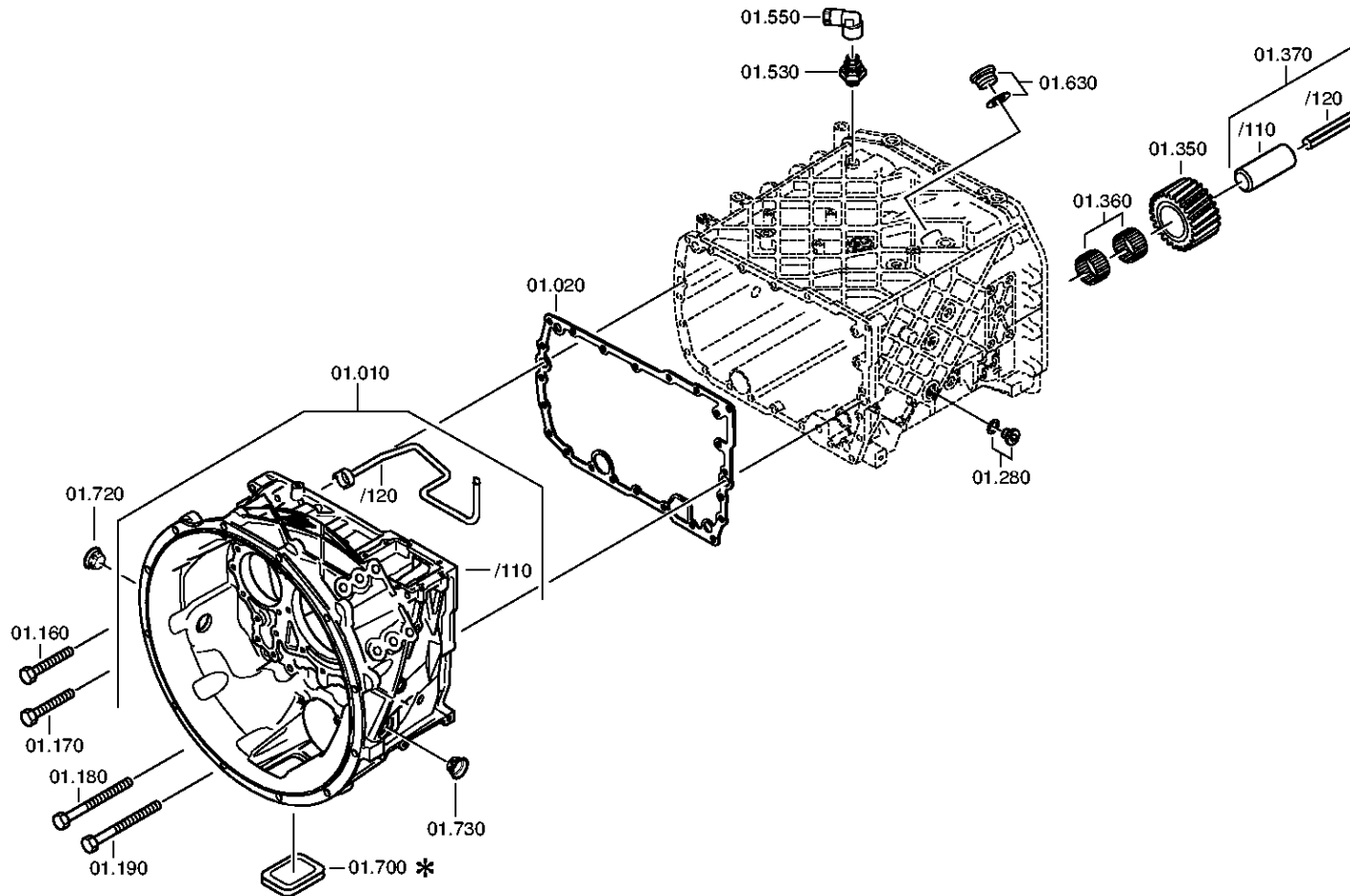
Material number: 1343.002.056

Plant: 068.01.57-1

TRANSMISSION HOUSING



16 S 2520 TO /
TRANSMISSION HOUSING



Parts list

Page 1 from 2



16 S 2520 TO /

Material number: 1343.002.056

Plant: 068.01.05-1

Material-assembly-group-no: 1316.101.103

Pos.	Material number	Customer material	Name	Quantity	ME	Amend. no.	Techn. Info.	Rep kit	Alternative material
10	1316.201.142	1427603	CLUTCH HOUSING	1			KPL.		
/110	1316.301.064		CLUTCH HOUSING	1			ENTHALT.IN 1316 301 060(0)		
/120	1315.201.097	ZF-1315 201 097	TUBE	1			KPL.		
20	1315.301.233	5 5367 0	GASKET	1					
30	1316.201.110	1635031	HOUSING	1		C01002290A10	KPL.DG IN 1316 201 108(0)		
50	---		SCREW PLUG	1		Z00010176111	M24X1,5		
---	0736.300.160	4471982.1	SCREW PLUG	1		Z00010176110	M24X1,5 M24X1,5		
---	0730.008.637	1428103	SEALING RING	1		Z00010176110	24X29		
90	---		SCREW PLUG	1		Z00010164013	50N.M*DICHTRING M22X1,5		
---	0636.100.824		SCREW PLUG	1		Z00010164019	M22X1,5		
---	0730.009.515	0730009515	SEALING RING	1		Z00010164019	A22X27		
100	---		SCREW PLUG	1		Z00010164013	50N.M*DICHTRING M22X1,5		
---	0636.100.824		SCREW PLUG	1		Z00010164019	M22X1,5		
---	0730.009.515	0730009515	SEALING RING	1		Z00010164019	A22X27		
140	0731.201.563	1290941	CYLINDRICAL PIN	4					
160	0736.300.123	1880233	HEXAGON SCREW	14			M10X70 M10X70		
170	---		HEXAGON SCREW	1			M10X70		
---	0736.300.123	1880233	HEXAGON SCREW	1			M10X70 M10X70		
180	0736.300.119	1896749	HEXAGON SCREW	6		Z00009403410	M10X140 M10X140		
190	---		HEXAGON SCREW	1		Z00009403410	M10X140		
---	0736.300.119	1896749	HEXAGON SCREW	1		Z00009403412	M10X140 M10X140		
200	---		SCREW PLUG	1		Z00010112111	60N.M*DICHTRING M24X1,5		
---	0636.304.088	1882905	SCREW PLUG	1		Z00010112110	M24X1,5		
---	0730.008.637	1428103	SEALING RING	1		Z00010112110	24X29		
230	---		SCREW PLUG	1		Z00010112111	60N.M*DICHTRING M24X1,5		
---	0636.304.088	1882905	SCREW PLUG	1		Z00010112110	M24X1,5		
---	0730.008.637	1428103	SEALING RING	1		Z00010112110	24X29		
280	---		SCREW PLUG	1		Z00010112111	60N.M*DICHTRING M24X1,5		
---	0636.304.088	1882905	SCREW PLUG	1		Z00010112110	M24X1,5		
---	0730.008.637	1428103	SEALING RING	1		Z00010112110	24X29		
300	0501.318.802	5718 742 08	SCREEN INSERT	1		C01000947C10			
310	1316.201.056		SPRAY TUBE	1			KPL. IN 1315 201 112(0)		
340	0634.313.198	1000004936	O-RING	1			20X3		
350	---		REVERSE IDLER GEAR	1		C01006413F10			

Parts list

Page 2 from 2



16 S 2520 TO /

Material number: 1343.002.056

Plant: 068.01.05-1

Material-assembly-group-no: 1316.101.103

Pos.	Material number	Customer material	Name	Quantity	ME	Amend. no.	Techn. Info.	Rep kit	Alternative material
---	1316.305.001		REVERSE IDLER GEAR	1			Z22 IN 1295 305 050(1)		
---	1316.305.008	1882761	REVERSE IDLER GEAR	1			Z22 IN 1295 305 050(1)		
360	0750.115.369	820-400-2290	NEEDLE CAGE	2			45,0X57,0X25,0		
370	1316.201.029		REVERSE IDLER SHAFT	1			KPL.16S221*DG*L=107		
/120	0631.329.296		SLOTTED PIN	1			10X123		
420	1315.301.151		COVER	1					
430	0501.316.146	133-198-1940	GASKET	1		C01002166A10			
440	0636.100.432		HEXAGON SCREW	10		Z00007349511	M10X28		
500	---		TYPE PLATE	1			KONZERN		
---	0730.365.241		TYPE PLATE	1			EINHEITSSCH. VERDREHSICHER		
---	0730.365.259		TYPE PLATE	1			EINHEITSSCH.VERDREHSICHER BRASIL IEN		
---	0730.365.267		TYPE PLATE	1			CHINA		
---	0730.300.258		TYPE PLATE	1			EINHEITSSCH.VERDREHSICHER		
---	0730.365.271		TYPE PLATE	1			RUSSLAND/ KYRILLISCH		
---	0730.365.257		TYPE PLATE	1			S.S.CH IRAN		
---	0730.365.800		TYPE PLATE	1		Z00015972510			
510	0731.300.027		BLIND RIVET	4		Z00007904810			
530	0501.315.794	1780816	CANNON SOCKET	1		Z00006366310	M10X1		
550	0501.315.796	1780817	ANGLE PIECE	1					
600	1313.306.013		LOCKING PIN	1					
620	0732.040.736	2150041300	COMPRESSION SPRING	1					
630	---		SCREW PLUG	1		Z00010164412	70N.M*DICHTRING M26X1,5		
---	0636.100.811		SCREW PLUG	1		Z00010164420	M26X1,5		
---	0634.801.249		SEALING RING	1		Z00010164420	26X31		
720	0501.321.840	1803936	PLUG	1					
730	0501.321.840	1803936	PLUG	1					

Plant

Page 1 from 3

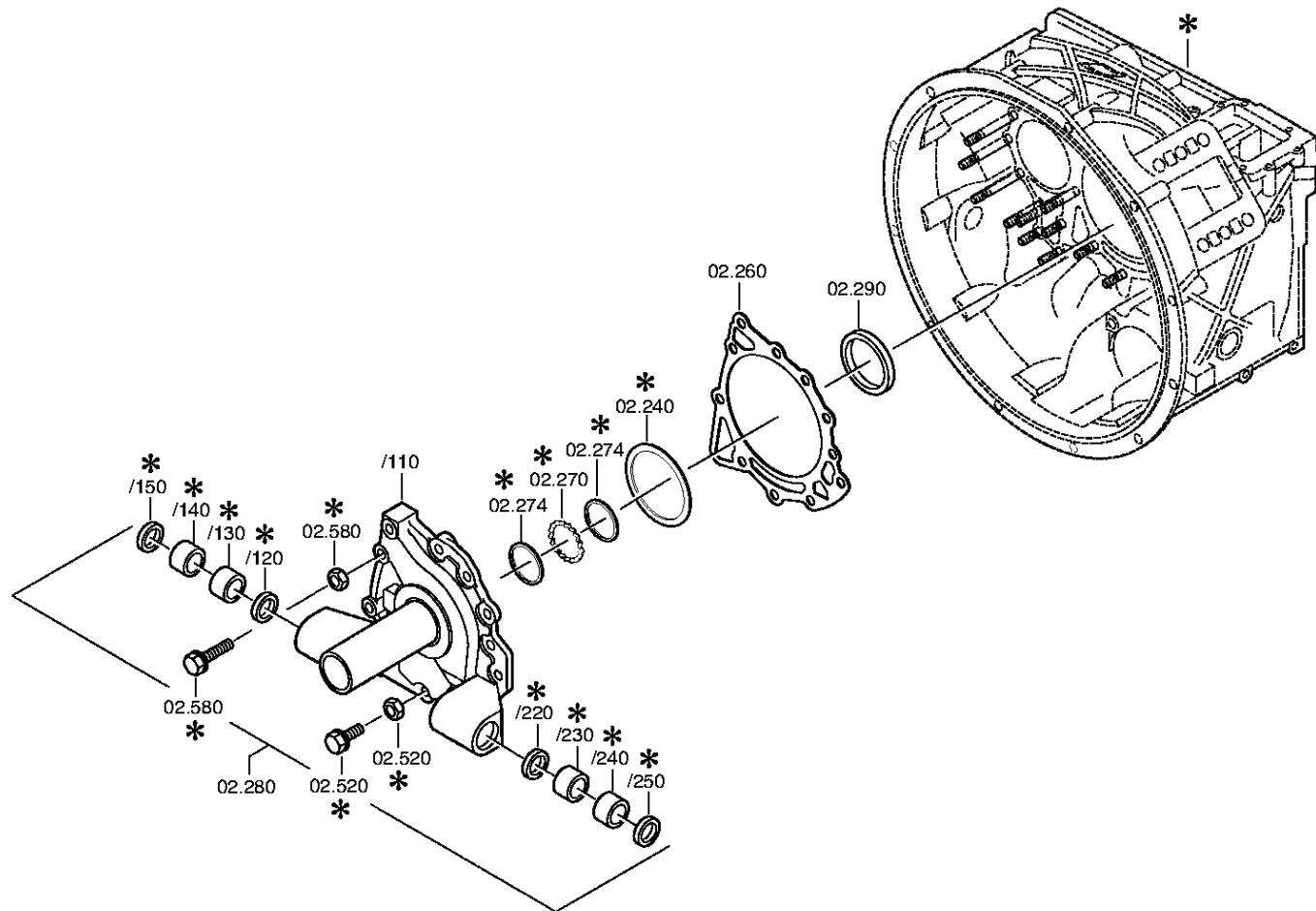
Material number: 1343.002.056

Plant: 068.02.57-1

CONNECTION PLATE



16 S 2520 TO /
CONNECTION PLATE



Plant

Page 2 from 3

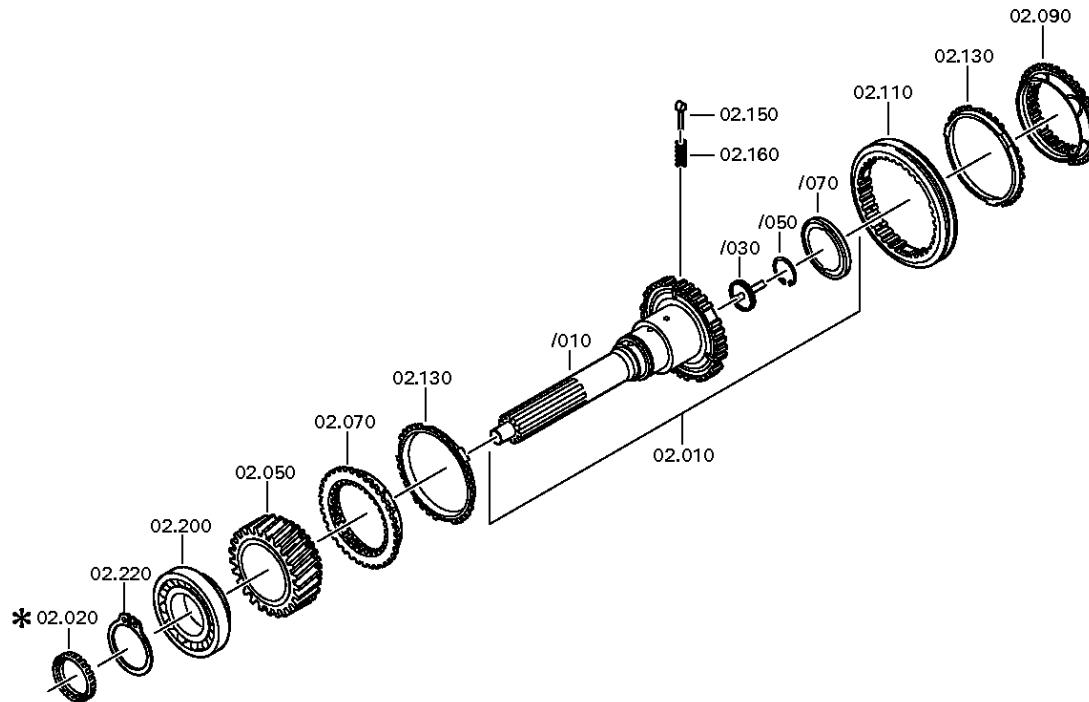
Material number: 1343.002.056

Plant: 068.02.02-1

CONNECTION PLATE



16 S 2520 TO /
CONNECTION PLATE



Plant

Page 3 from 3

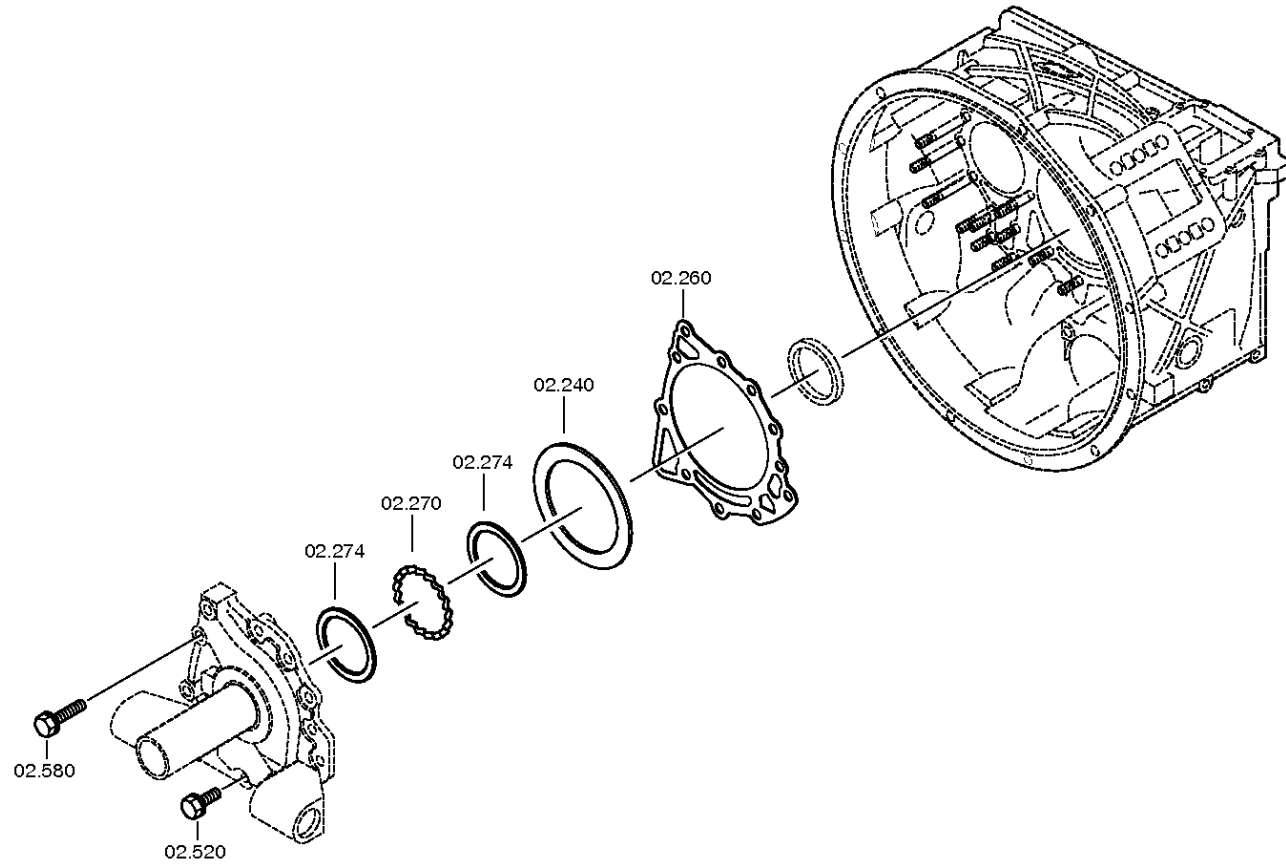
Material number: 1343.002.056

Plant: 068.02.82-1

CONNECTION PLATE



16 S 2520 TO /
CONNECTION PLATE



Parts list

Page 1 from 2



16 S 2520 TO /

Material number: 1343.002.056

Plant: 068.02.57-1

Material-assembly-group-no: 1315.102.415

Pos.	Material number	Customer material	Name	Quantity	ME	Amend. no.	Techn. Info.	Rep kit	Alternative material
10	1316.202.026		INPUT SHAFT	1			KPL.L117*GL100*ZAPF.25		
/30	1354.302.019		TUBE	1		Z00003830511			
/50	0630.502.027	100CP3461	RETAINING RING	1			50X2		
/70	0750.101.179	1896784	OIL DAM	1		Z00007187910	77,0X95,5X6,0		
50	1316.302.067		HELICAL GEAR	1			Z35 IN 1316 302 026(1)		
70	1312.304.027	81.32425-0092	CLUTCH BODY	1			ENTHALT.IN 1310 304 107(1)		
90	1312.304.027	81.32425-0092	CLUTCH BODY	1		C01004681D10	ENTHALT.IN 1310 304 107(1)		
110	1310.304.202	5 5321 0	SLIDING SLEEVE	1		C01005378A10			
130	1297.304.484	81.32420-0230	SYNCHRO.RING	2					
150	1297.304.436	0068332	PRESSURE PART	3					
160	0732.040.409	0171349	COMPRESSION SPRING	3		C01007317F10			
200	0750.117.732	5 8301 0	TAPERED ROLLER BEARING	1			85,0X150,0X30,5		
220	0730.501.598		RETAINING RING	1			85X4		
240	---		SHIM	1			H= 0,90- 2,40(ABSTUFUNG:0,05MM)		
---	2050.309.094		SHIM	1			A=2,2 IN 2050 309 090 C45E WW.F500 ZFN410		
---	0730.007.489		SHIM	1			A=2,15 IN 2050 309 090(2)		
---	0730.007.488		SHIM	1			A=2,10 IN 2050 309 090(2)		
---	0730.007.487		SHIM	1			A=2,05 IN 2050 309 090(2)		
---	0730.007.486		SHIM	1			A=2,00 IN 2050 309 090(2)		
---	0730.007.485		SHIM	1			A=1,95 IN 2050 309 090(2)		
---	0730.007.484	0730007484	SHIM	1			A=1,90 IN 2050 309 090(2)		
---	0730.007.483		SHIM	1			A=1,85 IN 2050 309 090(2)		
---	0730.007.482		SHIM	1			A=1,80 IN 2050 309 090(2)		
---	0730.007.481		SHIM	1			A=1,75 IN 2050 309 090(2)		
---	0730.007.480	1833896	SHIM	1			A=1,70 IN 2050 309 090(2)		
---	0730.007.479		SHIM	1			A=1,65 IN 2050 309 090(2)		
---	0730.007.136	1290955	SHIM	1			A=1,60 IN 2050 309 090(2)		
---	0730.007.135		SHIM	1			A=1,55 IN 2050 309 090(2)		
---	0730.007.134		SHIM	1			A=1,50 IN 2050 309 090(2)		
---	0730.007.133		SHIM	1			A=1,45 IN 2050 309 090(2)		
---	0730.007.132		SHIM	1			A=1,40 IN 2050 309 090(2)		
---	0730.007.131		SHIM	1			A=1,35 IN 2050 309 090(2)		
---	0730.007.130		SHIM	1			A=1,30 IN 2050 309 090(2)		

Parts list

Page 2 from 2



16 S 2520 TO /

Material number: 1343.002.056

Plant: 068.02.57-1

Material-assembly-group-no: 1315.102.415

Pos.	Material number	Customer material	Name	Quantity	ME	Amend. no.	Techn. Info.	Rep kit	Alternative material
---	0730.007.129		SHIM	1			A=1,25 IN 2050 309 090(2)		
---	2050.309.034		SHIM	1			A=1,2 IN 2050 309 090 C45E WW.F500 ZFN410		
---	0730.007.128		SHIM	1			A=1,15 IN 2050 309 090(2)		
---	0730.007.127		SHIM	1			A=1,10 IN 2050 309 090(2)		
---	0730.007.126		SHIM	1			A=1,05 IN 2050 309 090(2)		
---	2050.309.065		SHIM	1			A=1,0 IN 2050 309 090 C45E WW.F500 ZFN410		
---	0730.005.749		SHIM	1			A=0,95 IN 2050 309 090(2)		
---	0730.005.748	5 5258 0	SHIM	1			A=0,90 IN 2050 309 090(2)		
---	0730.301.503		SHIM	1			h=2,25		
---	0730.301.504		SHIM	1			h=2,30		
---	0730.301.505		SHIM	1			h=2,35		
---	0730.301.506		SHIM	1			h=2,40		
260	0501.314.587	5 6095 0	GASKET	1					
270	1315.302.040		SPACER RING	1					
274	0730.150.766		WASHER	2					
280	1315.202.055		CONNECTION PLATE	1			KPL.		
/110	1315.302.072		CONNECTION PLATE	1					
/120	0750.111.575	0750111575	SHAFT SEAL	1			30X37X4		
/130	0730.260.398	1615933	BUSH	1			A=25,00		
/140	0730.260.398	1615933	BUSH	1			A=25,00		
/150	0750.111.575	0750111575	SHAFT SEAL	1			30X37X4		
/220	0750.111.575	0750111575	SHAFT SEAL	1			30X37X4		
/230	0730.260.398	1615933	BUSH	1			A=25,00		
/240	0730.260.398	1615933	BUSH	1			A=25,00		
/250	0750.111.575	0750111575	SHAFT SEAL	1			30X37X4		
290	0734.310.387	5 8002 0	SHAFT SEAL	1		Z00023718610	55X75X8/9,2 FA.CFW		
520	0636.015.685		HEXAGON SCREW	8		Z00009177310	M10X35		
580	0636.102.270	0636 102 270 01	HEXAGON SCREW	3		Z00009177410	M10X60		

Plant

Page 1 from 2

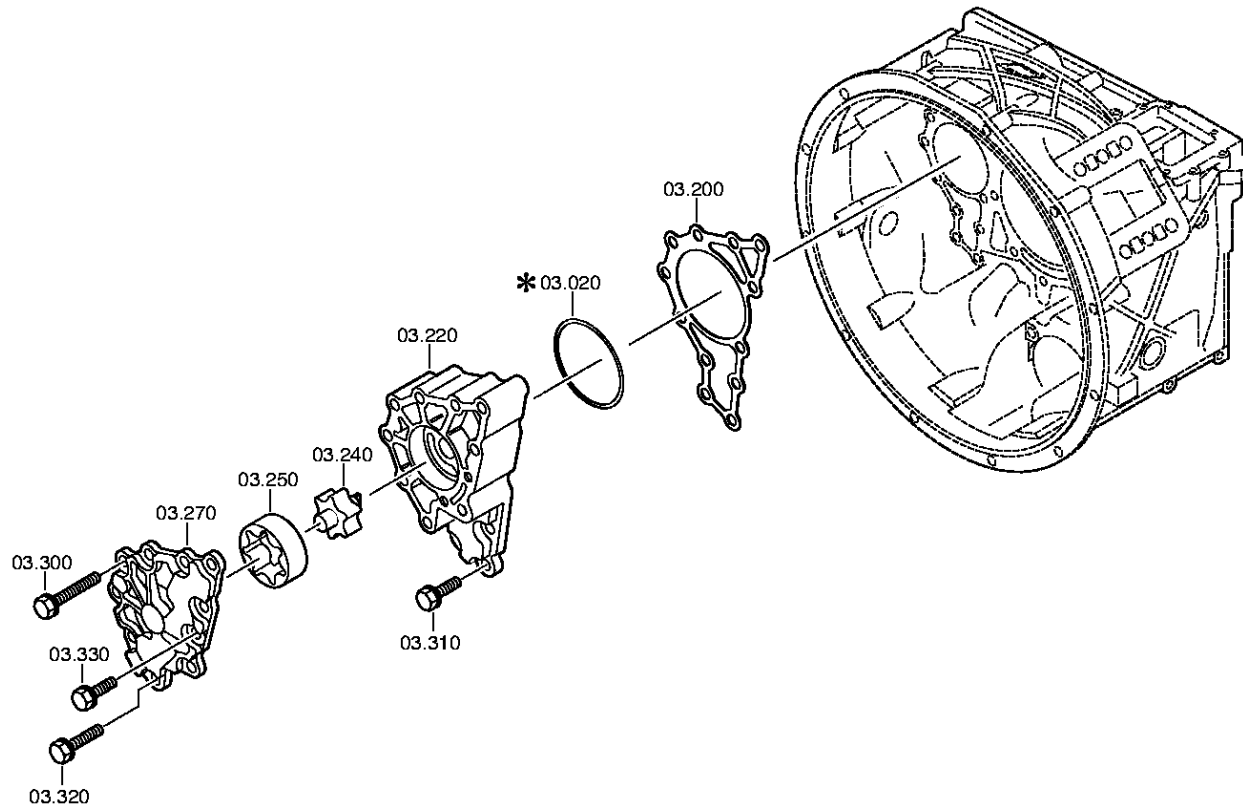
Material number: 1343.002.056

Plant: 068.03.80-1

COUNTERSHAFT



16 S 2520 TO /
COUNTERSHAFT



Plant

Page 2 from 2

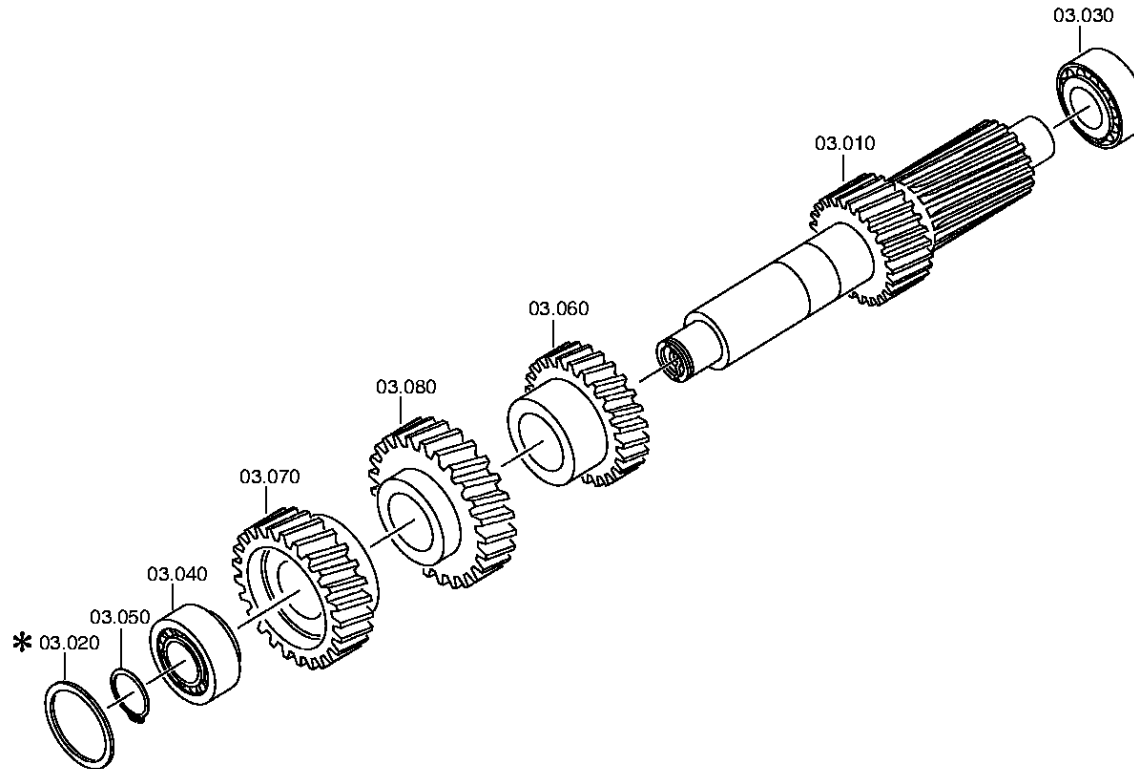
Material number: 1343.002.056

Plant: 068.03.01-1

COUNTERSHAFT



16 S 2520 TO /
COUNTERSHAFT



Parts list

Page 1 from 2



16 S 2520 TO /

Material number: 1343.002.056

Plant: 068.03.80-1

Material-assembly-group-no: 1316.103.803

Pos.	Material number	Customer material	Name	Quantity	ME	Amend. no.	Techn. Info.	Rep kit	Alternative material
10	1316.303.033	5 5340 0	COUNTERSHAFT	1			ENTHALT.IN 1316 303 032(0)		
20	---		SHIM	1			H= 1,85- 3,25(ABSTUFUNG:0,05MM)		
---	0730.112.938		SHIM	1		C01007375C10	A=3,25		
---	0730.112.937		SHIM	1		C01007375C10	A=3,20		
---	0730.112.936		SHIM	1		C01007375C10	A=3,15		
---	0730.112.935		SHIM	1		C01007375C10	A=3,10		
---	0730.106.860	ZF-0730 106 860	SHIM	1		C01007375C10	A=3,05 IN 0730 106 904(2)		
---	0730.106.917	ZF-0730 106 917	SHIM	1			A=3,00 IN 0730 106 904(2)		
---	0730.106.916	1833921	SHIM	1			A=2,95 IN 0730 106 904(2)		
---	0730.106.915	1833920	SHIM	1			A=2,90 IN 0730 106 904(2)		
---	0730.106.914	1833919	SHIM	1			A=2,85 IN 0730 106 904(2)		
---	0730.106.913	1833918	SHIM	1			A=2,80 IN 0730 106 904(2)		
---	0730.106.912		SHIM	1			A=2,75 IN 0730 106 904(2)		
---	0730.106.911	1833917	SHIM	1			A=2,70 IN 0730 106 904(2)		
---	0730.106.910	1833916	SHIM	1			A=2,65 IN 0730 106 904(2)		
---	0730.106.909	1833915	SHIM	1			A=2,60 IN 0730 106 904(2)		
---	0730.106.908	1833914	SHIM	1			A=2,55 IN 0730 106 904(2)		
---	0730.100.799		SHIM	1			A=2,50 IN 0730 106 904(2)		
---	0730.100.800	1833898	SHIM	1			A=2,45 IN 0730 106 904(2)		
---	0730.100.801	ZF-0730 100 801	SHIM	1			A=2,40 IN 0730 106 904(2)		
---	0730.100.802	1833900	SHIM	1			A=2,35 IN 0730 106 904(2)		
---	0730.100.803	1833905	SHIM	1			A=2,30 IN 0730 106 904(2)		
---	0730.101.466	ZF-0730 101 466	SHIM	1			A=2,25 IN 0730 106 904(2)		
---	0730.101.467	1833906	SHIM	1			A=2,20 IN 0730 106 904(2)		
---	0730.101.468	1833907	SHIM	1			A=2,15 IN 0730 106 904(2)		
---	0730.101.469	1833909	SHIM	1			A=2,10 IN 0730 106 904(2)		
---	0730.101.470	1833910	SHIM	1			A=2,05 IN 0730 106 904(2)		
---	0730.101.471		SHIM	1			A=2,00 IN 0730 106 904(2)		
---	0730.106.907	1833912	SHIM	1			A=1,95 IN 0730 106 904(2)		
---	0730.106.906	1833911	SHIM	1			A=1,90 IN 0730 106 904(2)		
---	0730.106.905		SHIM	1			A=1,85 IN 0730 106 904(2)		
30	0750.117.009	8 8449 0	TAPERED ROLLER BEARING	1			49,213X103,188X44,475		
40	0750.117.009	8 8449 0	TAPERED ROLLER BEARING	1			49,213X103,188X44,475		
50	---		RETAINING RING	1		C01002877A10	H= 2,40- 3,00(ABSTUFUNG:0,05MM)		

Parts list

Page 2 from 2



16 S 2520 TO /

Material number: 1343.002.056

Plant: 068.03.80-1

Material-assembly-group-no: 1316.103.803

Pos.	Material number	Customer material	Name	Quantity	ME	Amend. no.	Techn. Info.	Rep kit	Alternative material
---	0630.531.065	8603574	RETAINING RING	1			50X3		
---	0630.501.111		RETAINING RING	1			50X2,95		
---	0630.501.112	0002640551	RETAINING RING	1			50X2,9		
---	0630.501.113		RETAINING RING	1			50X2,85		
---	0630.501.114	0002641451	RETAINING RING	1			50X2,8		
---	0630.501.115		RETAINING RING	1			50X2,75		
---	0630.501.116	0002641351	RETAINING RING	1			50X2,7		
---	0630.501.117	0140310	RETAINING RING	1			50X2,65		
---	0630.501.118	0002641251	RETAINING RING	1			50X2,6		
---	0630.501.160		RETAINING RING	1			50X2,55		
---	0630.531.064	1663657	RETAINING RING	1			50X2,5		
---	0630.501.159		RETAINING RING	1			50X2,45		
---	0630.501.148	0002641051	RETAINING RING	1			50X2,4		
60	1316.303.005	1295190	HELICAL GEAR	1			3G/Z26 IN 1312 303 018(1)		
70	1316.303.071		HELICAL GEAR	1			KON 1		
80	1316.303.065	1360899	HELICAL GEAR	1			Z35 IN 1312 303 013(1)		
200	1315.303.060	H0491909	GASKET	1		C01005349C10			
220	---		PUMP HOUSING	1			GD*GSLs		
---	1315.302.121	5 5355 0	PUMP HOUSING	1					
---	1315.302.117		PUMP HOUSING	1					
240	1314.202.039	5 5842 0	PUMP SHAFT	1			KPL.		
250	1315.303.027	5 5857 0	ROTOR	1					
270	---		PUMP COVER	1			GD*GSLs		
---	1315.302.120	5 5855 0	PUMP COVER	1					
---	1315.302.116		PUMP COVER	1					
300	0636.015.684		HEXAGON SCREW	8		Z00009177510	M10X85		
310	0636.015.685		HEXAGON SCREW	3		Z00009177310	M10X35		
320	0636.102.270	0636 102 270 01	HEXAGON SCREW	1		Z00009177410	M10X60		
330	0636.015.685		HEXAGON SCREW	2		Z00009177310	M10X35		

Plant

Page 1 from 1

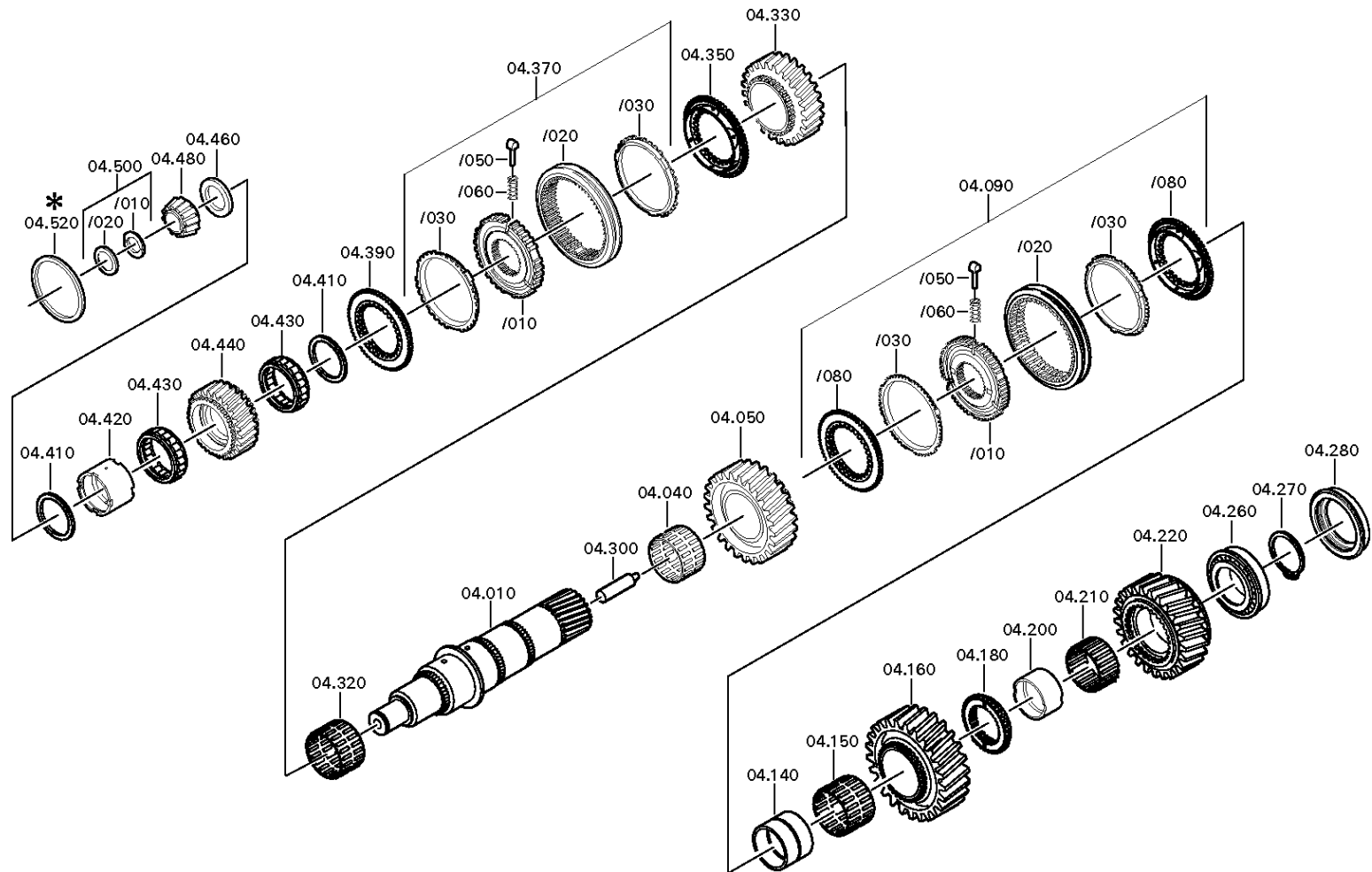
Material number: 1343.002.056

Plant: 068.04.13-1

Material-assembly-group-no: 1316.104.039



16 S 2520 TO /
MAIN SHAFT



Parts list

Page 1 from 3



16 S 2520 TO /

Material number: 1343.002.056

Plant: 068.04.13-1

Material-assembly-group-no: 1316.104.039

Pos.	Material number	Customer material	Name	Quantity	ME	Amend. no.	Techn. Info.	Rep kit	Alternative material
10	1316.304.132	1395314	MAIN SHAFT	1					
40	0750.115.303	5 8158 0	NEEDLE CAGE	1			92,0X100,0X63,0		
50	1316.304.002	133-242-3900	HELICAL GEAR	1			2G/Z38 IN 1316 304 005(1)		
90	1356.204.007		SYNCHRONIZER	1		Z00006981310	KPL.1+2G*BK160 MOLYBDAEN* ECOSPLIT 3+4		
/10	1356.304.022		SYNCHRO.BODY	1		Z00006981313			
/20	1356.304.024	1865591	SLIDING SLEEVE	1		Z00006981313	ZF-BK 160		
/30	1316.304.170	1677595	SYNCHRO.RING	2		Z00006981313			
/50	1297.304.436	0068332	PRESSURE PART	3		Z00006981313			
/60	0732.040.409	0171349	COMPRESSION SPRING	3		Z00006981313			
/80	1316.304.156	5 5366 0	CLUTCH BODY	2		Z00006981313			
140	1312.304.084	42480712	BUSH	1			ENTHALT.IN 1312 304 007(2)		
150	0750.115.327	5 8157 0	NEEDLE CAGE	1			96,0X104,0X72,0		
160	1316.304.010	1316304010	HELICAL GEAR	1			1G/Z47 IN 1312 304 033(0)		
180	1312.304.124	1295199	CLUTCH BODY	1			ENTHALT.IN 1312 304 055(0)		
200	1316.304.133	42480812	BUSH	1			A=50,00 IN 1312 304 010(2)		
210	0750.115.326	5 8156 0	NEEDLE CAGE	1			90,0X98,0X50,0		
220	---		HELICAL GEAR	1					
---	1316.304.012	133-242-3920	HELICAL GEAR	1			RG*Z44 IN 1312 304 125(0)		
---	1316.304.235		HELICAL GEAR	1					
260	0750.117.678	8 8114 0	TAPERED ROLLER BEARING	1			80,0X140,0X36,5		
270	---		RETAINING RING	1			H= 3,00- 3,65(ABSTUFUNG:0,05MM)		
---	0630.501.316	820-400-2580	RETAINING RING	1			80X3,5		
---	0630.501.336	H0109516	RETAINING RING	1			80X3,45		
---	0630.501.315	820-400-2582	RETAINING RING	1			80X3,4		
---	0630.501.335	H0109514	RETAINING RING	1			80X3,35		
---	0630.501.314	820-400-2584	RETAINING RING	1			80X3,3		
---	0630.501.334	820-400-2585	RETAINING RING	1			80X3,25		
---	0630.501.313	820-400-2586	RETAINING RING	1			80X3,2		
---	0630.501.333	820-400-2587	RETAINING RING	1			80X3,15		
---	0630.501.312	820-400-2588	RETAINING RING	1			80X3,1		
---	0630.501.337	820-400-2589	RETAINING RING	1			80X3,55		
---	0630.501.338	820-400-2590	RETAINING RING	1			80X3,6		
---	0630.501.339	820-400-2591	RETAINING RING	1			80X3,65		

Parts list

Page 2 from 3



16 S 2520 TO /

Material number: 1343.002.056

Plant: 068.04.13-1

Material-assembly-group-no: 1316.104.039

Pos.	Material number	Customer material	Name	Quantity	ME	Amend. no.	Techn. Info.	Rep kit	Alternative material
280	1315.332.073	1623382	PRESSURE DISK	1					
300	1312.304.150	5 5177 0	TUBE	1					
320	0750.115.303	5 8158 0	NEEDLE CAGE	1			92,0X100,0X63,0		
330	1316.304.008	133-242-3930	HELICAL GEAR	1			3G/Z34 IN 1312 304 135(1)		
350	1316.304.190	1831990	CLUTCH BODY	1		Z00006981311	ZF-BK 144 O		
370	1356.204.006		SYNCHRONIZER	1		Z00006981311	KPL.3+4G*BK144 MOLYBDAEN* ANSCHL.INTEGR VERST*ECOSPLIT 3+4		
/10	1356.304.019	1833885	SYNCHRO.BODY	1		Z00006981313			
/20	1356.304.023	1833891	SLIDING SLEEVE	1		Z00006981313	ZF-BK 144		
/30	1316.304.189	1832004	SYNCHRO.RING	2		Z00006981313	ZF-BK 144		
/50	1297.304.436	0068332	PRESSURE PART	3		Z00006981313			
/60	0732.040.409	0171349	COMPRESSION SPRING	3		Z00006981313			
390	1316.304.190	1831990	CLUTCH BODY	1		Z00006981311	ZF-BK 144 O		
410	0750.101.158		THRUST WASHER	2					
420	0750.119.124	5 8910 0	INNER RING	1			67,0X77,0X66,1		
430	0750.115.531	5 8908 0	ROLLER CAGE	2			77,0X101,0X29,0		
440	1316.304.103	5 5341 0	HELICAL GEAR	1			Z32		
460	---		AXIAL WASHER	1			H= 7,30- 8,00(ABSTUFUNG:0,10MM)		
---	1315.304.048	5 5877 0	AXIAL WASHER	1			A=8,00 IN 1315 304 042(2)		
---	1315.304.047	5 5859 0	AXIAL WASHER	1			A=7,90 IN 1315 304 042(2)		
---	1315.304.046	ZF-1315 304 046	AXIAL WASHER	1			A=7,80 IN 1315 304 042(2)		
---	1315.304.045	5 5858 0	AXIAL WASHER	1			A=7,70 IN 1315 304 042(2)		
---	1315.304.044	ZF-1315 304 044	AXIAL WASHER	1			A=7,60 IN 1315 304 042(2)		
---	1315.304.043	ZF-1315 304 043	AXIAL WASHER	1			A=7,50 IN 1315 304 042(2)		
---	1315.304.085	ZF-1315 304 085	AXIAL WASHER	1			A=7,40 IN 1315 304 042(2)		
---	1315.304.086	1833949	AXIAL WASHER	1			A=7,30 IN 1315 304 042(2)		
480	0750.117.232	81.93501.0080	TAPERED ROLLER BEARING	1			42,0X40,3		
500	1312.204.040		SPLIT RING	1			GESTANZT		
/10	---		SPLIT RING	2			H= 4,60- 5,00(ABSTUFUNG:0,10MM)		
---	0730.107.023	820-400-2660	SPLIT RING	2			A=5,00 IN 0730 106 207(2)		
---	0730.107.022	820-400-2661	SPLIT RING	2			A=4,90 IN 0730 106 207(2)		
---	0730.107.021	820-400-2662	SPLIT RING	2			A=4,80 IN 0730 106 207(2)		
---	0730.107.020	820-400-2663	SPLIT RING	2			A=4,70 IN 0730 106 207(2)		

Parts list

Page 3 from 3



16 S 2520 TO /

Material number: 1343.002.056

Plant: 068.04.13-1

Material-assembly-group-no: 1316.104.039

Pos.	Material number	Customer material	Name	Quantity	ME	Amend. no.	Techn. Info.	Rep kit	Alternative material
---	0730.107.019	820-400-2664	SPLIT RING	2			A=4,60 IN 0730 106 207(2)		
/20	0730.062.781	H0224840	RETAINING RING	1			ENTHALT.IN 0730 062 636(2)		

Plant

Page 1 from 3

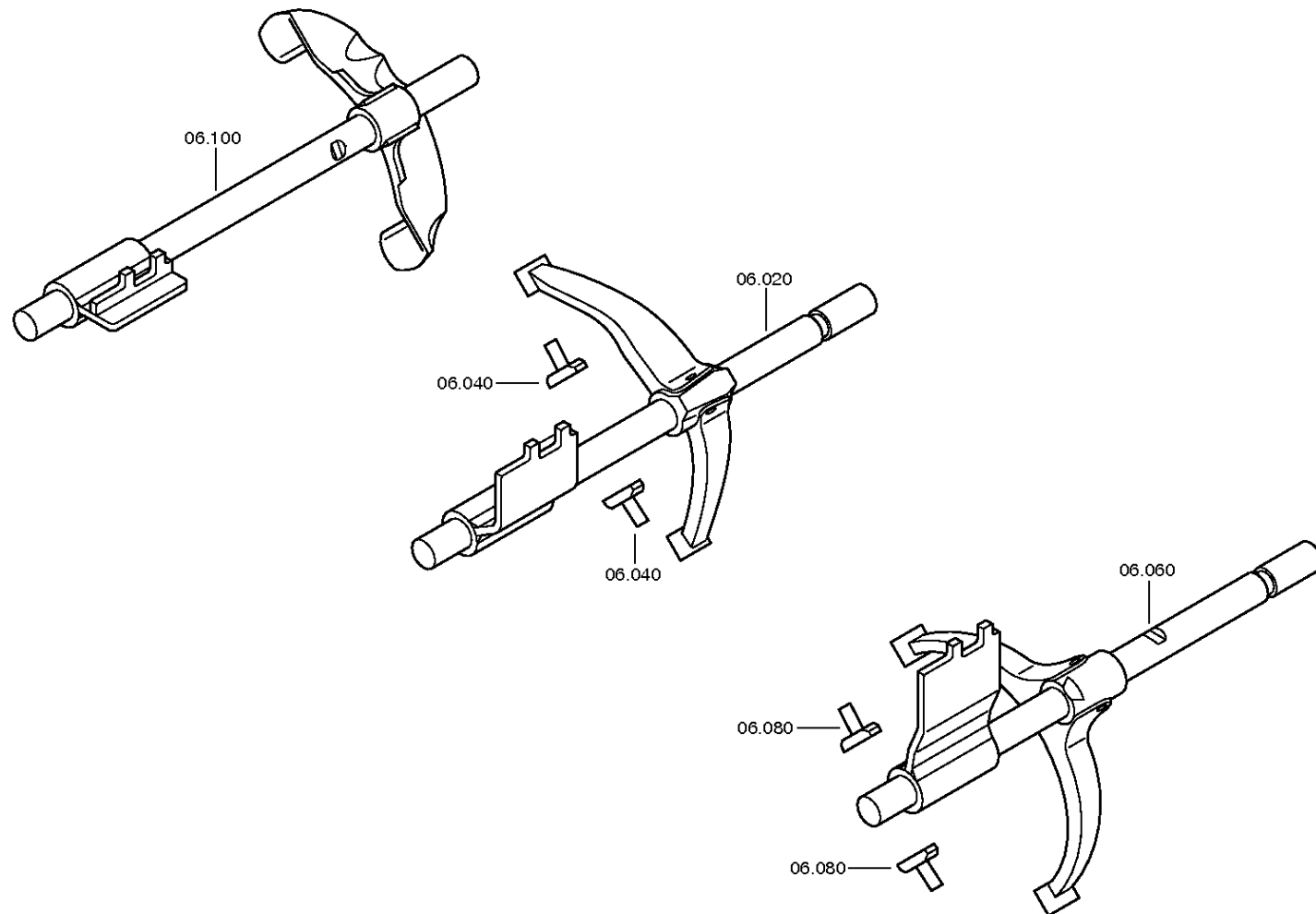
Material number: 1343.002.056

Plant: 068.06.01-1

SHIFT SYSTEM



16 S 2520 TO /
SHIFT SYSTEM



Plant

Page 2 from 3

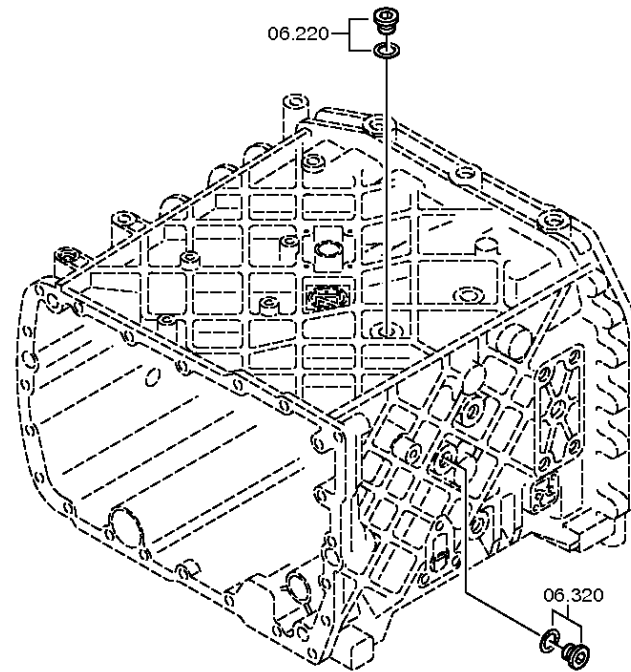
Material number: 1343.002.056

Plant: 068.06.43-1

SHIFT SYSTEM



16 S 2520 TO /
SHIFT SYSTEM



Plant

Page 3 from 3

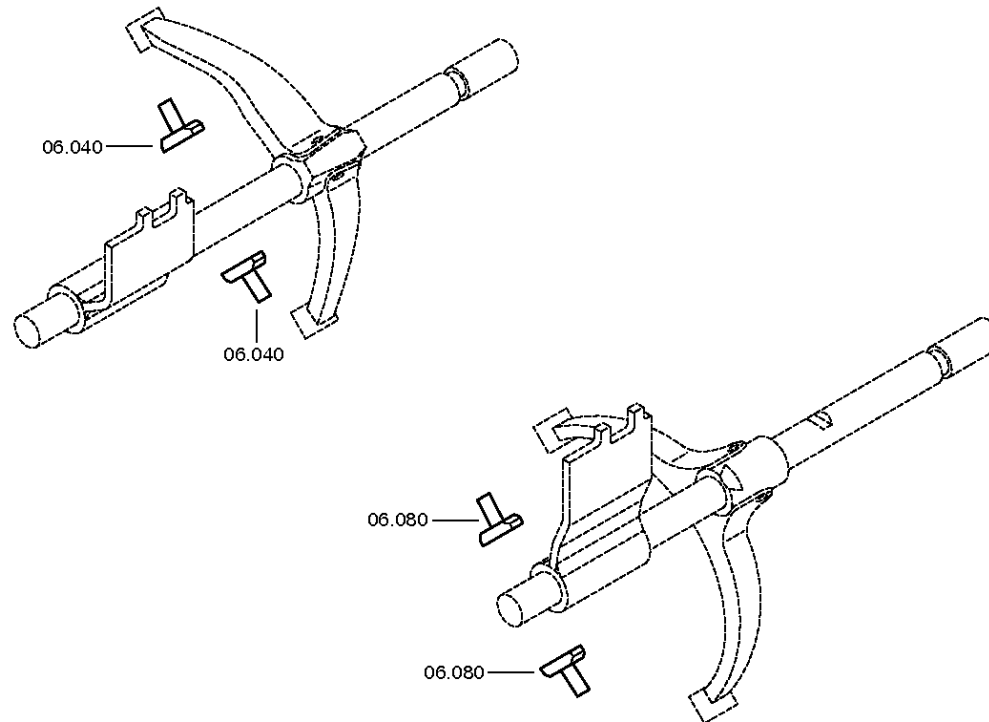
Material number: 1343.002.056

Plant: 068.06.80-1

SHIFT SYSTEM



16 S 2520 TO /
SHIFT SYSTEM



Parts list

Page 1 from 1



16 S 2520 TO /

Material number: 1343.002.056

Plant: 068.06.01-1

Material-assembly-group-no: 1316.106.008

Pos.	Material number	Customer material	Name	Quantity	ME	Amend. no.	Techn. Info.	Rep kit	Alternative material
20	1316.206.055	1815771	GEAR SHIFT RAIL	1			1+2GANG*LANG*WI		
40	1316.306.015	5 5342 0	SLIDING PAD	2					
60	1316.206.058	1815772	GEAR SHIFT RAIL	1			3+4GANG*LANG*WI		
/10	1316.306.030		GEAR SHIFT RAIL	1					
/20	1325.306.028		GEAR SHIFT FORK	1			3/4G		
/50	0631.329.086		SLOTTED PIN	1			8X40		
/60	0631.329.057		SLOTTED PIN	1			5X40		
80	1316.306.015	5 5342 0	SLIDING PAD	2					
100	1316.206.061	1815773	GEAR SHIFT RAIL	1			R-GANG*LANG*WI		
/10	1316.306.028		GEAR SHIFT RAIL	1					
/20	1355.306.003		GEAR SHIFT FORK	1			RG		
/50	0631.329.086		SLOTTED PIN	1			8X40		
/60	0631.329.057		SLOTTED PIN	1			5X40		
220	---		SCREW PLUG	1		Z00010111513	35N.M*DICHTRING M18X1,5		
---	0636.100.791		SCREW PLUG	1		Z00010111521	M18X1,5		
---	0634.801.062	1804055	SEALING RING	1		Z00010111521	18X24		
320	---		SCREW PLUG	1		Z00010111513	35N.M*DICHTRING M18X1,5		
---	0636.100.791		SCREW PLUG	1		Z00010111521	M18X1,5		
---	0634.801.062	1804055	SEALING RING	1		Z00010111521	18X24		

Plant

Page 1 from 5

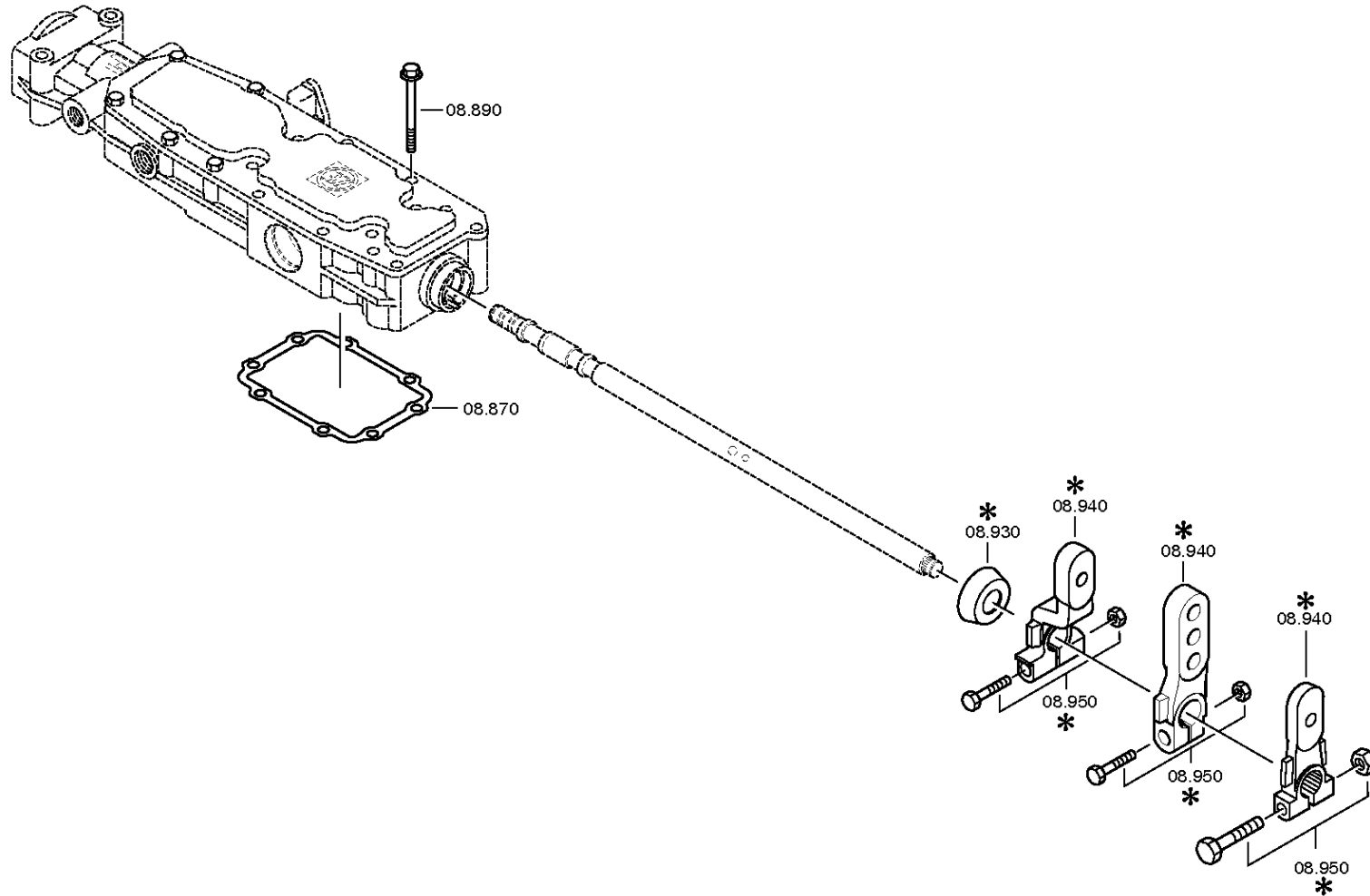
Material number: 1343.002.056

Plant: 068.07.81-1

GEAR SHIFT HOUSING



16 S 2520 TO /
GEAR SHIFT HOUSING



Plant

Page 2 from 5

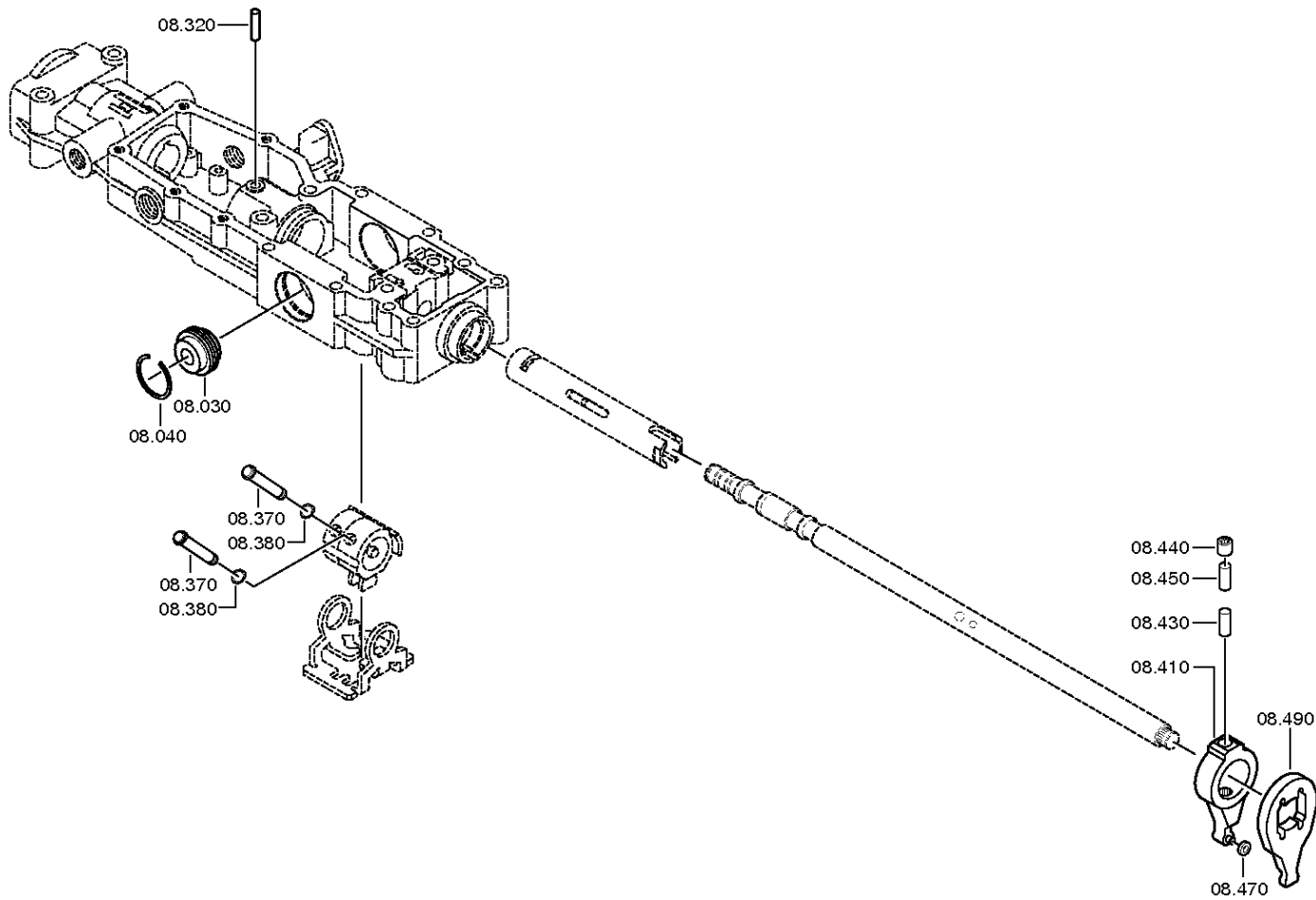
Material number: 1343.002.056

Plant: 068.07.25-1

GEAR SHIFT HOUSING



16 S 2520 TO /
GEAR SHIFT HOUSING



Plant

Page 3 from 5

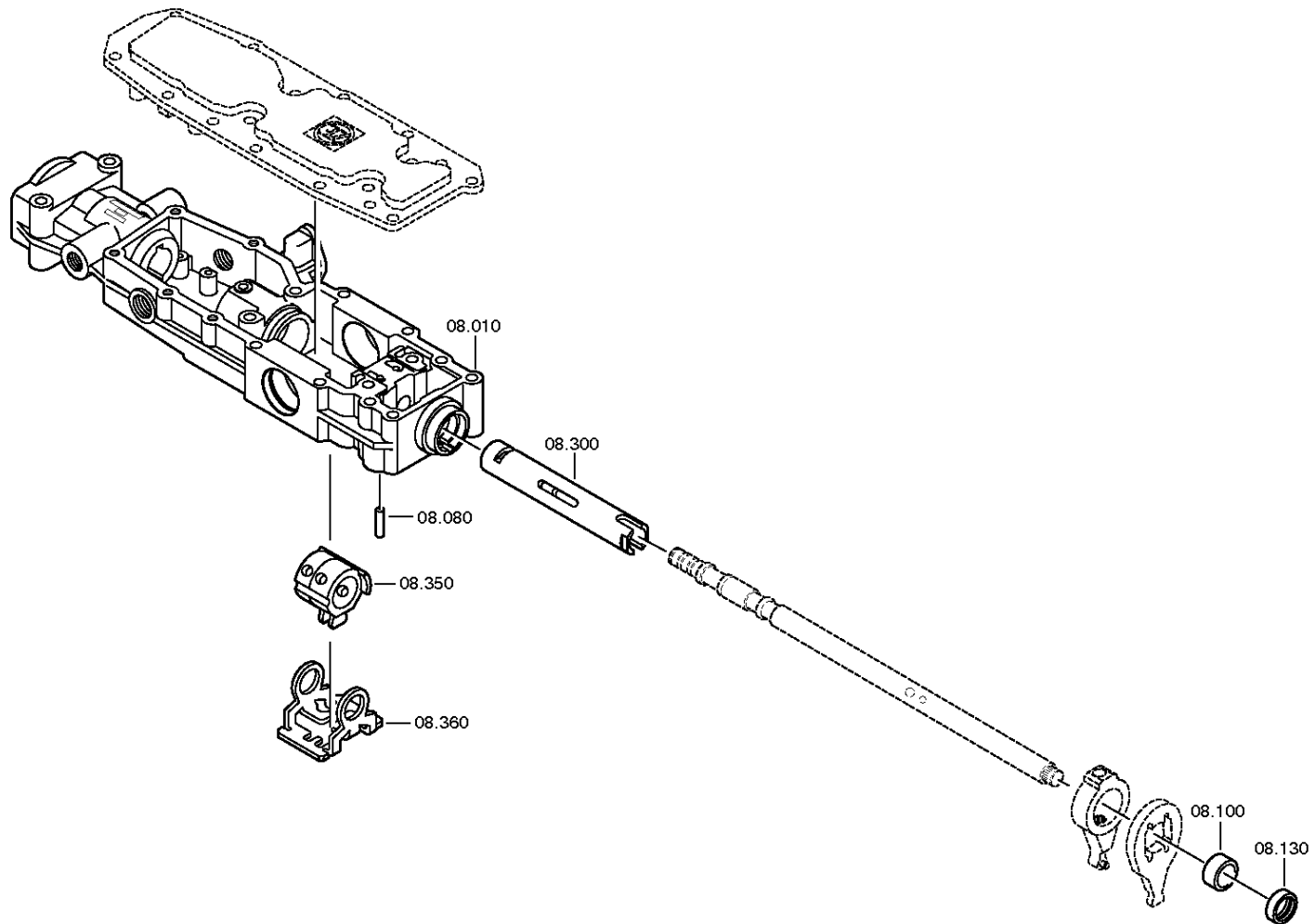
Material number: 1343.002.056

Plant: 068.07.36-1

GEAR SHIFT HOUSING



16 S 2520 TO /
GEAR SHIFT HOUSING



Plant

Page 4 from 5

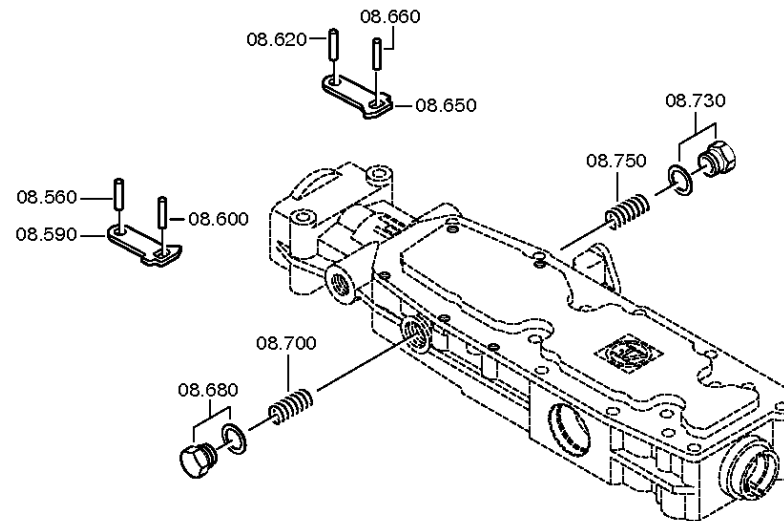
Material number: 1343.002.056

Plant: 068.07.55-1

GEAR SHIFT HOUSING



16 S 2520 TO /
GEAR SHIFT HOUSING



Plant

Page 5 from 5

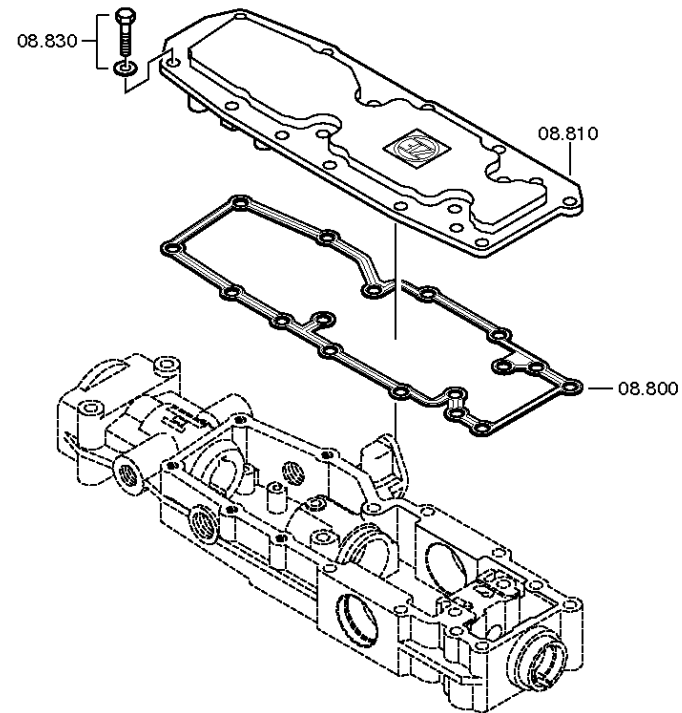
Material number: 1343.002.056

Plant: 068.07.57-1

GEAR SHIFT HOUSING



16 S 2520 TO /
GEAR SHIFT HOUSING



Parts list

Page 1 from 2



16 S 2520 TO /

Material number: 1343.002.056

Plant: 068.07.81-1

Material-assembly-group-no: 1316.108.817

Pos.	Material number	Customer material	Name	Quantity	ME	Amend. no.	Techn. Info.	Rep kit	Alternative material
10	1315.307.383		GEAR SHIFT HOUSING	1					
30	0501.209.212	5 5247 0	DETENT	1			KPL.		
40	0630.532.130	0630532130	V-RING	1					
80	0631.306.123	190003901424	CYLINDRICAL PIN	1			8X24		
100	0730.260.703	1394369	BUSH	1			A=13,70		
130	0734.309.765	1798267	SHAFT SEAL	1		C01005906F10	28X42X11 FA.SKT		
300	1315.307.294		QUILL SHAFT	1			ENTHALT.IN 1315.307.293(1)		
320	0731.201.702		PIN	1					
350	1315.307.734	1882041	DRIVER	1		Z00011746810			
360	1315.307.218	1394378	LOCKING PIECE	1					
370	1316.208.003		PIN	2			KPL.		
380	0630.501.006	P0436202H	RETAINING RING	2			10X1		
410	1316.208.002	1394380	VALVE LEVER	1			KPL.		
430	0731.201.732	1452229	PIN	1					
440	0635.303.019	1394383	NEEDLE BUSH	1			10X14X15		
450	0731.201.732	1452229	PIN	1					
470	1315.307.226	820-400-3340	ROLLER	1					
490	1315.307.292		LEVER	1					
560	0631.306.832		CYLINDRICAL PIN	1			6X20		
590	1315.307.203		DETENT LEVER	1					
600	0631.306.832		CYLINDRICAL PIN	1			6X20		
620	0631.306.832		CYLINDRICAL PIN	1			6X20		
650	1315.307.203		DETENT LEVER	1					
660	0631.306.832		CYLINDRICAL PIN	1			6X20		
680	---		SCREW	1		Z00010146310	M22X1,5		
---	1315.307.736		SCREW	1		Z00010146312	M22X1,5		
---	0730.009.515	0730009515	SEALING RING	1		Z00010146312	A22X27		
700	0732.040.985	5 5874 0	COMPRESSION SPRING	1					
730	---		SCREW	1		Z00010146310	M22X1,5		
---	1315.307.736		SCREW	1		Z00010146312	M22X1,5		
---	0730.009.515	0730009515	SEALING RING	1		Z00010146312	A22X27		
750	0732.040.985	5 5874 0	COMPRESSION SPRING	1					
800	0501.324.072	1796304	GASKET	1		C01003353F10			
810	1315.307.286		COVER	1		C01000020A10			

Parts list

Page 2 from 2



16 S 2520 TO /

Material number: 1343.002.056

Plant: 068.07.81-1

Material-assembly-group-no: 1316.108.817

Pos.	Material number	Customer material	Name	Quantity	ME	Amend. no.	Techn. Info.	Rep kit	Alternative material
830	---		HEXAGON SCREW	5			M8X25		
---	0636.016.401		HEXAGON SCREW	5			M8X25		
---	0630.100.295		WASHER	5		Z00007158414			
870	1315.307.013	133-138-1020	GASKET	1					
890	0736.300.137	1197869	HEXAGON SCREW	8		Z00009195410	M8X80 M8X80		
930	1341.307.104		PROTECTION CAP	1		C01007034F10			

Plant

Page 1 from 3

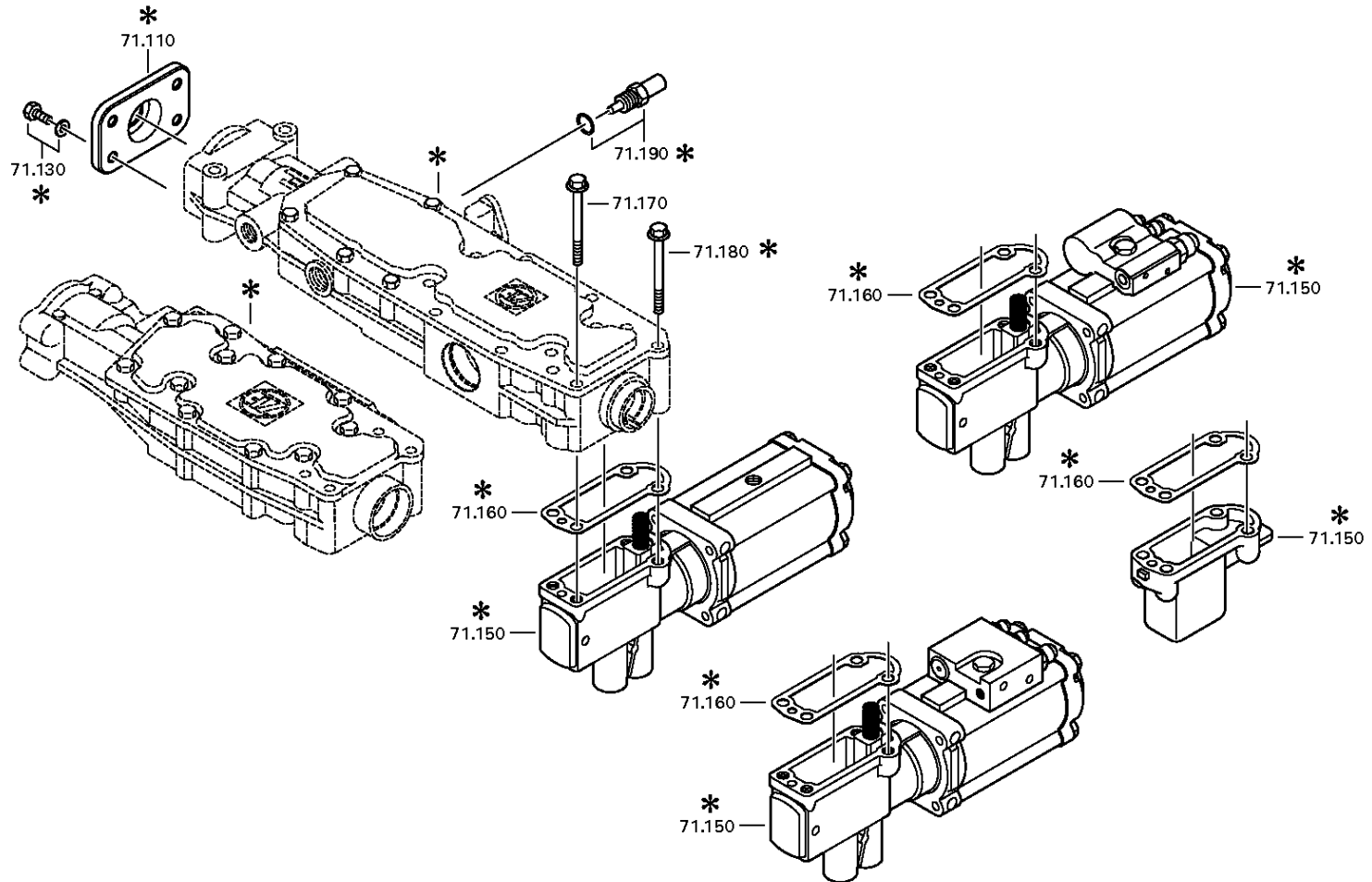
Material number: 1343.002.056

Plant: 062.08.30-1

END COVER



16 S 2520 TO /
END COVER



Plant

Page 2 from 3

Material number: 1343.002.056

Plant: 068.08.43-1

END COVER



16 S 2520 TO /
END COVER

There is presently no plate available for this parts list/ assembly.

Plant

Page 3 from 3

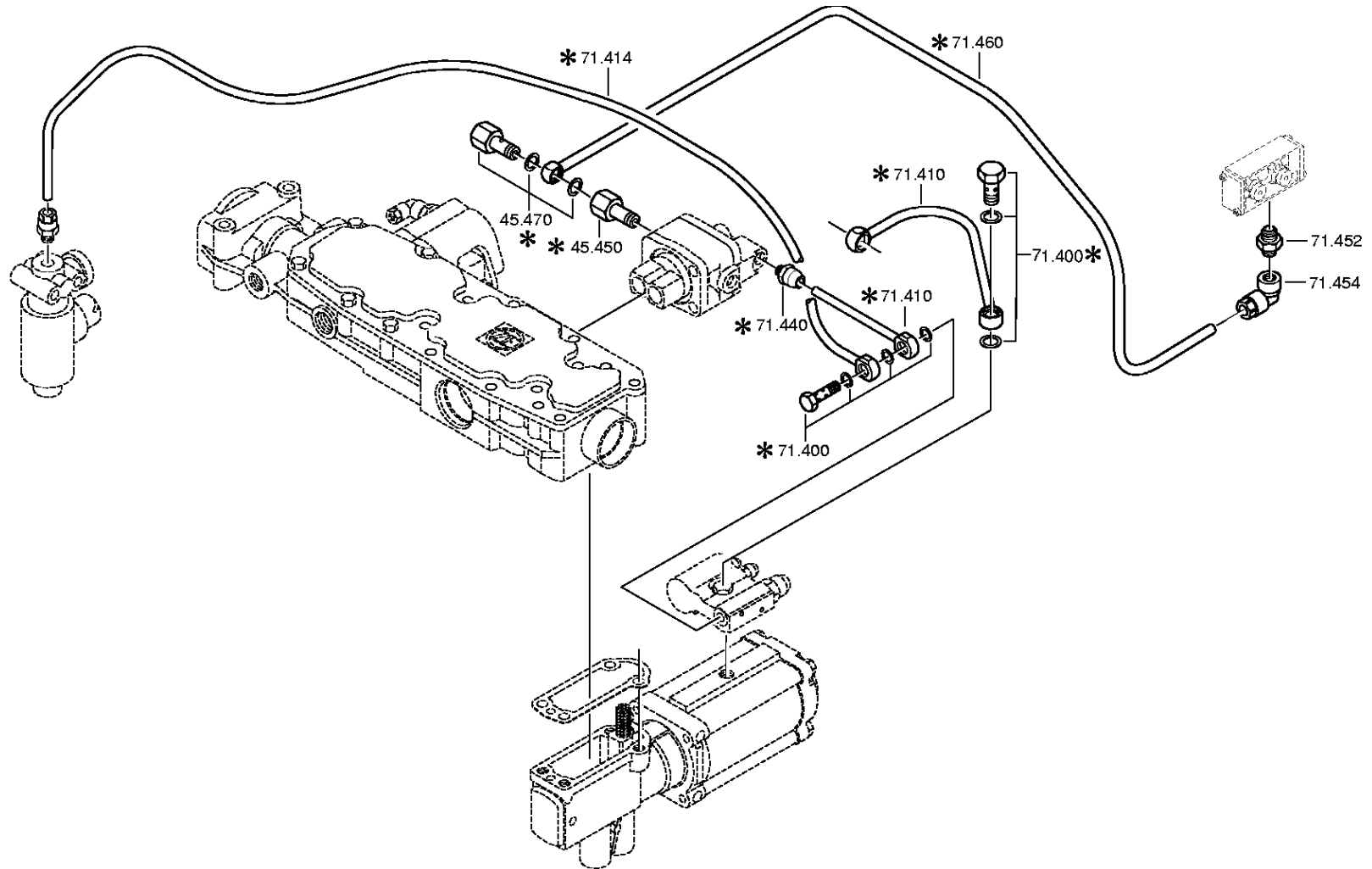
Material number: 1343.002.056

Plant: 068.08.94-1

END COVER



16 S 2520 TO /
END COVER



Parts list

Page 1 from 1



16 S 2520 TO /

Material number: 1343.002.056

Plant: 062.08.30-1

Material-assembly-group-no: 1316.171.403

Pos.	Material number	Customer material	Name	Quantity	ME	Amend. no.	Techn. Info.	Rep kit	Alternative material
110	1341.307.113		COVER	1		Z00009271410			
130	---		HEXAGON SCREW	4		Z00007891111	M8X20		
---	0636.100.796		HEXAGON SCREW	4		Z00007891120	M8X20		
---	0630.100.295		WASHER	4		Z00007158414			
150	0501.216.838		PNEUMATIC SERVO UNIT	1			KPL. PSE1 MIT EL. SAV5		
160	1315.307.242	1389649	GASKET	1					
170	0736.300.137	1197869	HEXAGON SCREW	2		Z00009195410	M8X80 M8X80		
180	---		HEXAGON SCREW	2		Z00009195410	M8X80		
---	0736.300.137	1197869	HEXAGON SCREW	2		Z00009195414	M8X80 M8X80		
---	0666.790.033		SEAL.COMPOUND	2		Z00009195414			
400	---		UNION SCREW	1		Z00010274712			
---	0637.835.808	99946200	UNION SCREW	1		Z00013005810			
---	0634.801.331	100CP4955	SEALING RING	1		Z00010274715	12X18		
410	0501.218.441		TUBE	1		Z00010096210	KPL.		
452	0501.315.795		CANNON SOCKET	1			VOSS M12X1,5		
454	0501.316.688		ANGLE PIECE	1					

Plant

Page 1 from 2

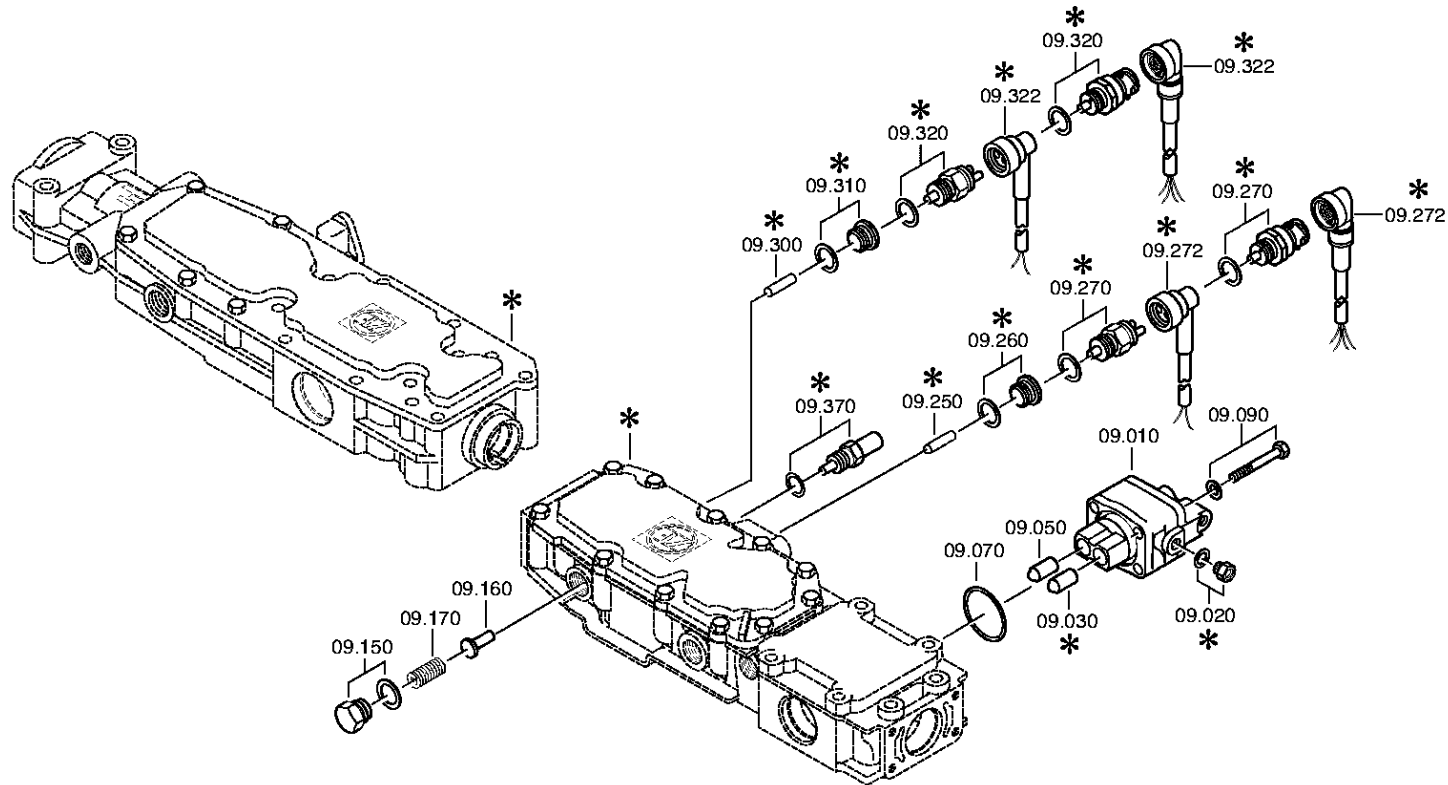
Material number: 1343.002.056

Plant: 068.09.01-1

CONNECTING PARTS



16 S 2520 TO /
CONNECTING PARTS



Plant

Page 2 from 2

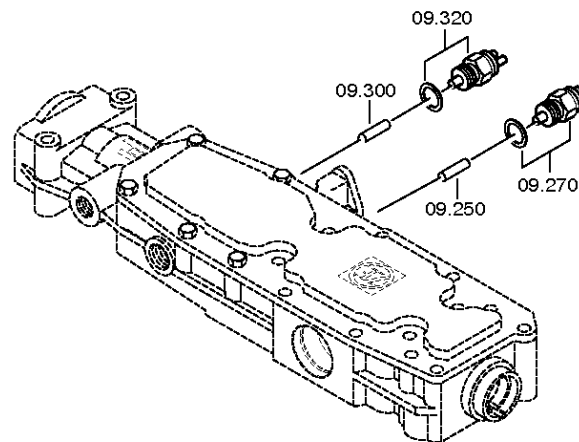
Material number: 1343.002.056

Plant: 068.09.11-1

CONNECTING PARTS



16 S 2520 TO /
CONNECTING PARTS



Parts list

Page 1 from 1



16 S 2520 TO /

Material number: 1343.002.056

Plant: 068.09.01-1

Material-assembly-group-no: 1316.109.022

Pos.	Material number	Customer material	Name	Quantity	ME	Amend. no.	Techn. Info.	Rep kit	Alternative material
10	6038.202.043	5 6065 0	CUT-OFF VALVE	1		C01002143C10	KPL.H-H*ZULUFTDROSSEL 1,55		
30	0501.209.188	5 6102 0	BALL CASTER	1			KPL.		
50	0501.209.188	5 6102 0	BALL CASTER	1			KPL.		
70	0634.313.505	1295216	O-RING	1			42X3		
90	---		HEXAGON SCREW	4		Z00007054112	M8X65		
---	0636.100.519		HEXAGON SCREW	4		Z00007054110	M8X65		
---	0630.100.295		WASHER	4		Z00007158414			
150	---		SCREW	1		Z00010146310	M22X1,5		
---	1315.307.736		SCREW	1		Z00010146312	M22X1,5		
---	0730.009.515	0730009515	SEALING RING	1		Z00010146312	A22X27		
160	1315.307.384		BOLT	1		C01003958B10	ENTHALT.IN 1250 307 589(2)		
170	0732.041.612		COMPRESSION SPRING	1					
250	0731.201.446		PIN	1			ENTHALT.IN 0731 201 445(2)		
270	---		SWITCH	1		Z00004287211	OEFF*45N.M*DICHTRING*BAJONETT* SCHUTZKAPPE		
---	0501.219.856	1946804	SWITCH	1			OEFFNER DIN BAJONETT		
---	0634.801.062	1804055	SEALING RING	1			18X24		
300	0731.208.230	ZF-0731 208 230	PIN	1			A=30,0		
320	---		SWITCH	1		Z00025033610	SCHL*45N.M*DICHTRING*BAJONETT* SCHUTZKAPPE		
---	0501.331.660	2007380	SWITCH	1		Z00025033617			
---	0634.801.062	1804055	SEALING RING	1		Z00025033617	18X24		

Plant

Page 1 from 1

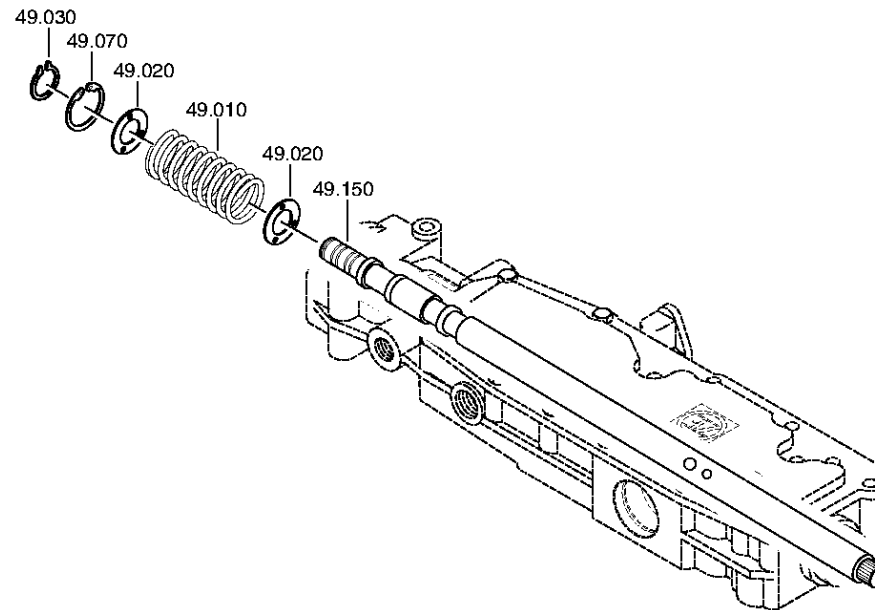
Material number: 1343.002.056

Plant: 068.12.08-1

Material-assembly-group-no: 1316.149.422



16 S 2520 TO /
SET OF SPRINGS



Parts list

Page 1 from 1



16 S 2520 TO /

Material number: 1343.002.056

Plant: 068.12.08-1

Material-assembly-group-no: 1316.149.422

Pos.	Material number	Customer material	Name	Quantity	ME	Amend. no.	Techn. Info.	Rep kit	Alternative material
10	0732.040.237	5360-12-159-8049	COMPRESSION SPRING	1					
20	0730.301.376	1884285	WASHER	2		Z00008917410			
30	0630.532.138	5004143	V-RING	1					
70	0630.502.022	100CP2729	RETAINING RING	1			40X1,75		
150	1315.307.327		GEARSHIFT SHAFT	1			ENTHALT.IN 1315 307 296(1)		

Plant

Page 1 from 2

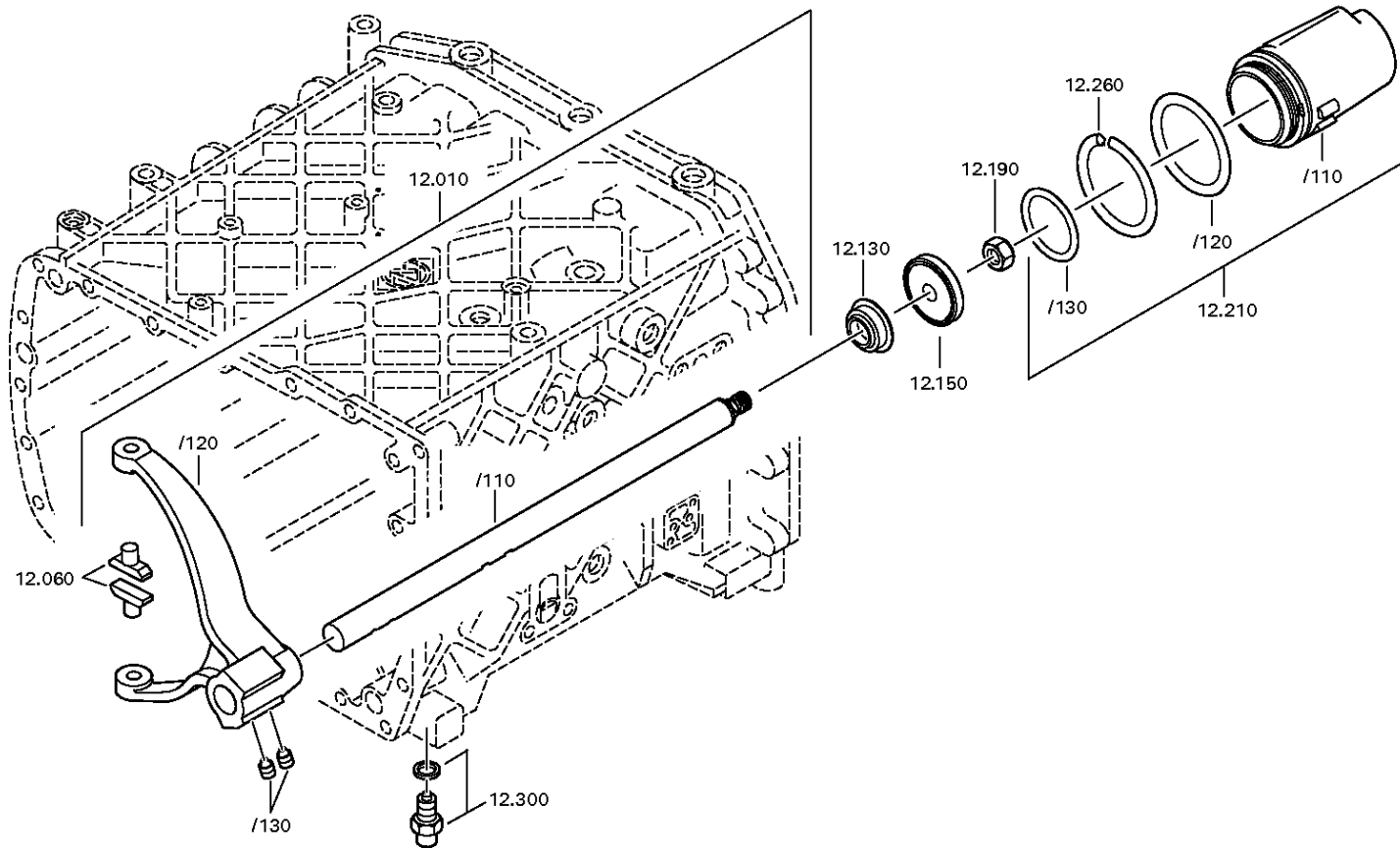
Material number: 1343.002.056

Plant: 068.40.04-1

GV-SHIFT SYSTEM



16 S 2520 TO /
GV-SHIFT SYSTEM



Plant

Page 2 from 2

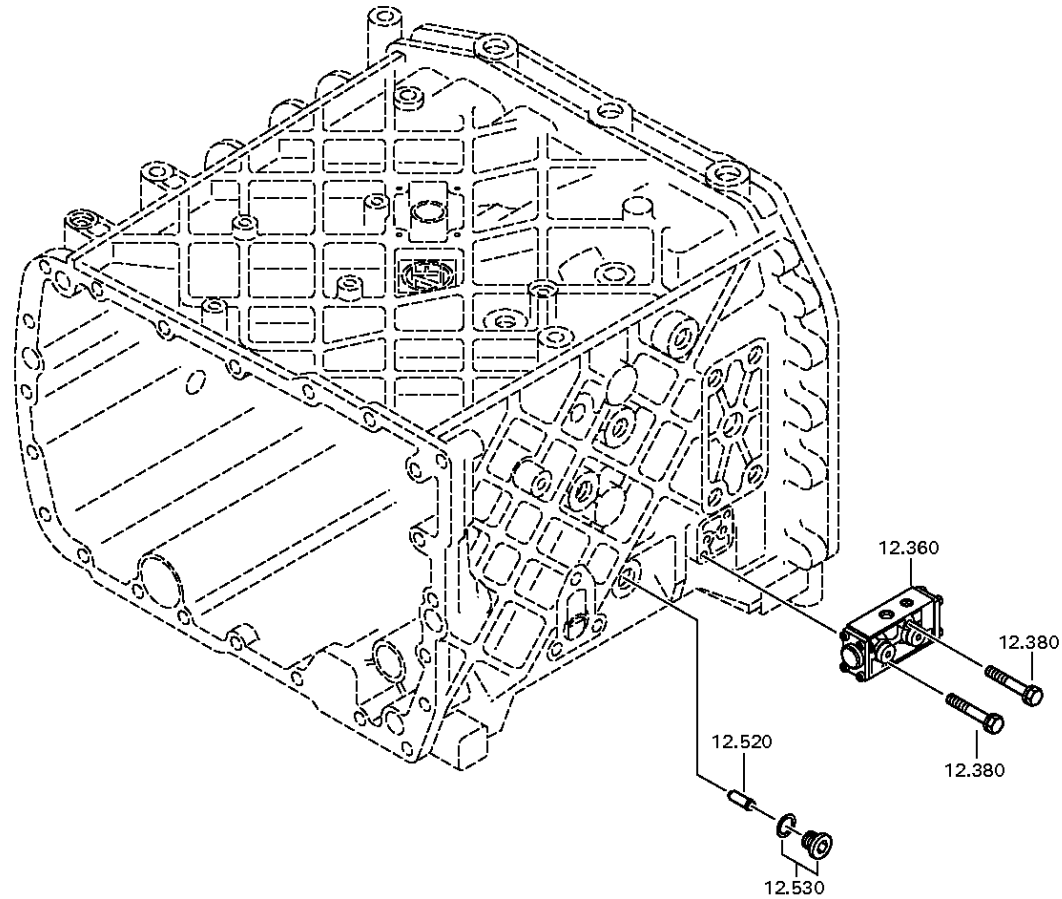
Material number: 1343.002.056

Plant: 068.40.40-1

GV-SHIFT SYSTEM



16 S 2520 TO /
GV-SHIFT SYSTEM



Parts list

Page 1 from 1



16 S 2520 TO /

Material number: 1343.002.056

Plant: 068.40.04-1

Material-assembly-group-no: 1316.112.014

Pos.	Material number	Customer material	Name	Quantity	ME	Amend. no.	Techn. Info.	Rep kit	Alternative material
10	1316.212.010		GEAR SHIFT RAIL	1		Z00012212711	KPL.GV.LAG.GEH.1		
/110	1316.312.023	1604639	GEAR SHIFT RAIL	1					
/120	1315.312.074		GEAR SHIFT FORK	1			GV ECO 3		
/130	1315.312.047	42172912	SET SCREW	2			M12X1		
60	1316.306.015	5 5342 0	SLIDING PAD	2		Z00012212711			
130	0750.112.131	8 8342 0	FLANGE PACKING	1		Z00012212711	25X40X15		
150	0501.324.670	1887735	PISTON	1		Z00012212711			
190	0737.300.037	1874075	LOCKING NUT	1			MS16X1,5		
210	1316.212.007		CYLINDER	1		Z00012212711	KPL.		
/110	1316.312.015	1317310	CYLINDER	1			ENTHALT.IN 1315 312 033(1)		
/120	0634.313.018		O-RING	1			82X3		
/130	0634.313.320	8 8327 0	O-RING	1			67X3		
260	1315.312.034		SPRING	1		Z00012212711			
300	---		DETENT PLUNGER	1		Z00012212711	235N*50N.M		
---	1324.207.033	H0472564	DETENT PLUNGER	1			KPL. *235 N		
---	0730.008.604	1638154	SEALING RING	1		C01009860C10			
360	0501.219.310	1897664	5/2 WAY VALVE	1		Z00015060511			
380	0636.100.468	1897021	SCREW WITH WASHER ASSEMBLY	2		Z00021359310	M6X40		
520	1295.212.006		PIN	1			KPL.		
530	---		SCREW PLUG	1		Z00010111513	35N.M*DICHTRING M18X1,5		
---	0636.100.791		SCREW PLUG	1		Z00010111521	M18X1,5		
---	0634.801.062	1804055	SEALING RING	1		Z00010111521	18X24		

Plant

Page 1 from 5

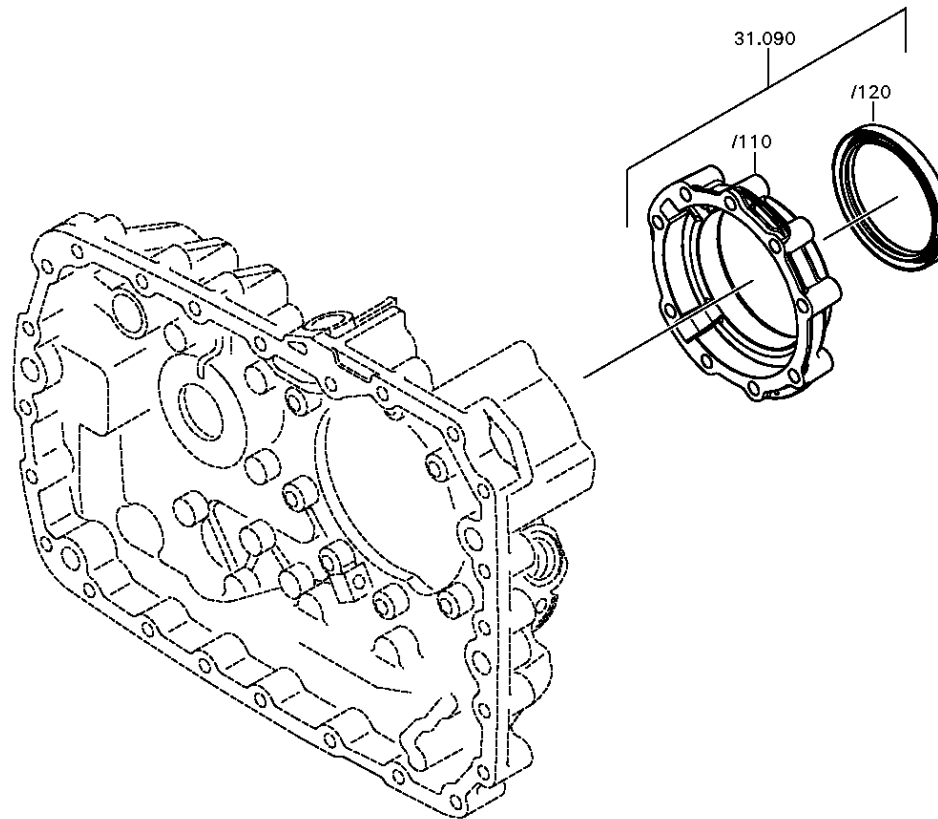
Material number: 1343.002.056

Plant: 068.43.21-1

COVER



16 S 2520 TO /
COVER



Plant

Page 2 from 5

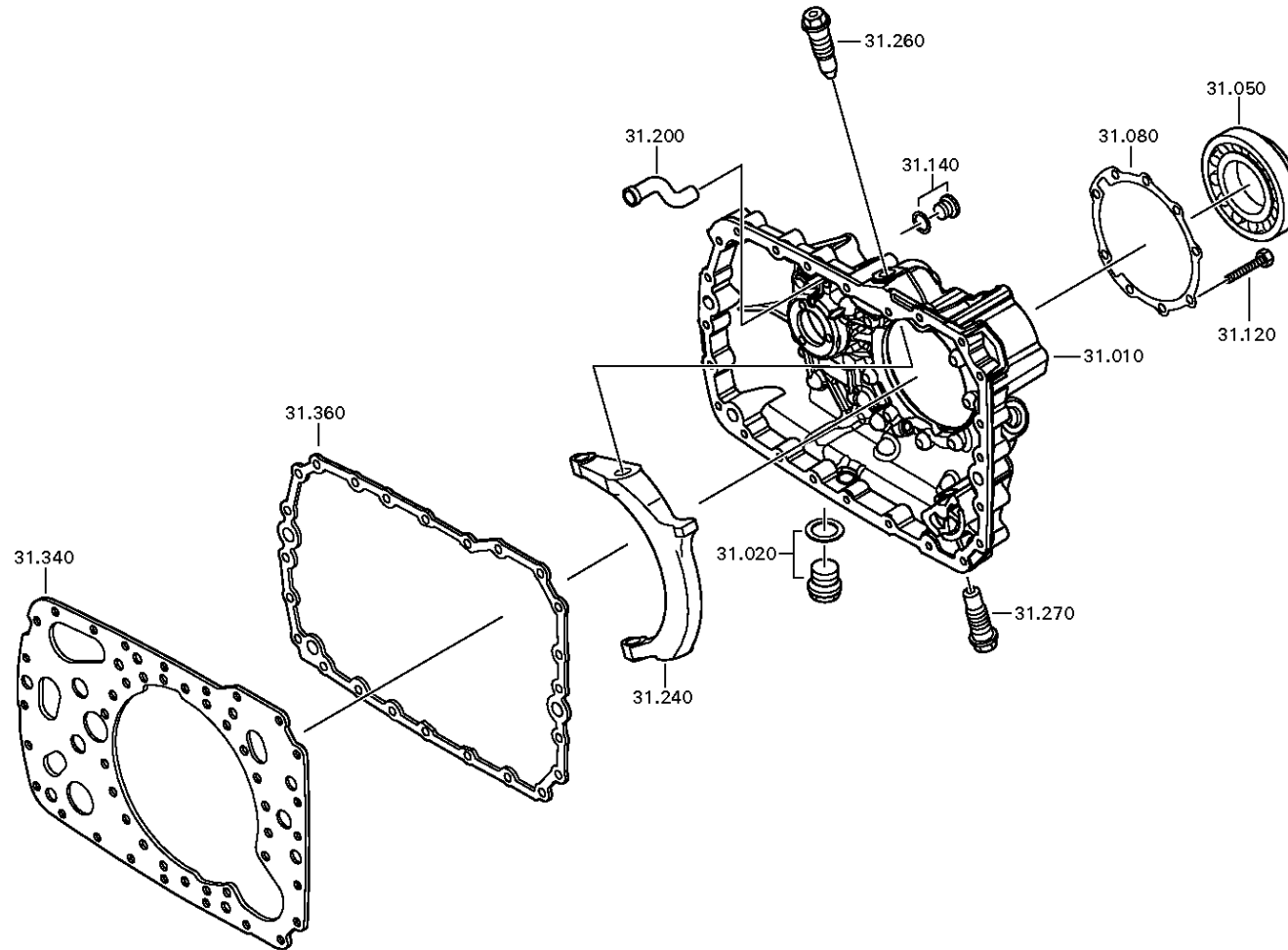
Material number: 1343.002.056

Plant: 068.43.06-1

COVER



16 S 2520 TO /
COVER



Plant

Page 3 from 5

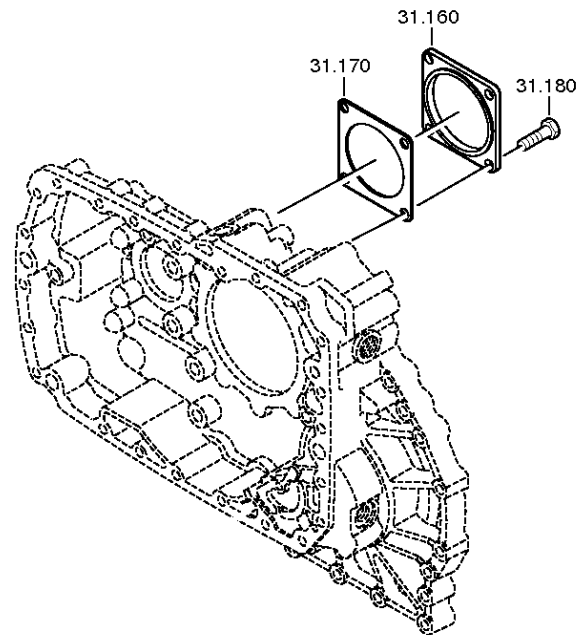
Material number: 1343.002.056

Plant: 068.43.40-1

COVER



16 S 2520 TO /
COVER



Plant

Page 4 from 5

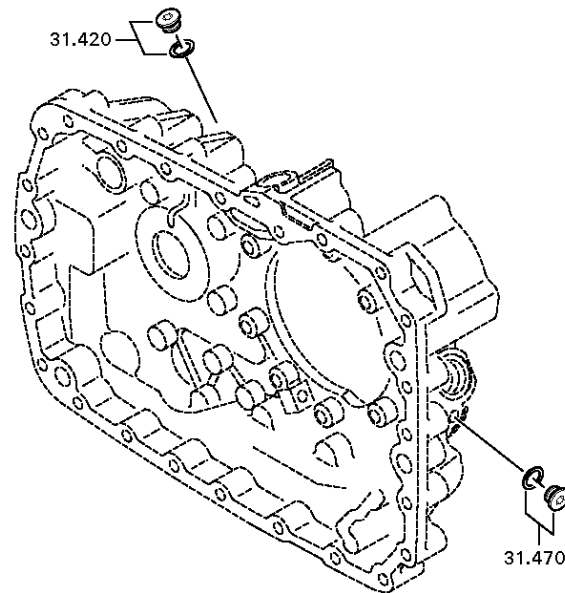
Material number: 1343.002.056

Plant: 068.43.45-1

COVER



16 S 2520 TO /
COVER



Plant

Page 5 from 5

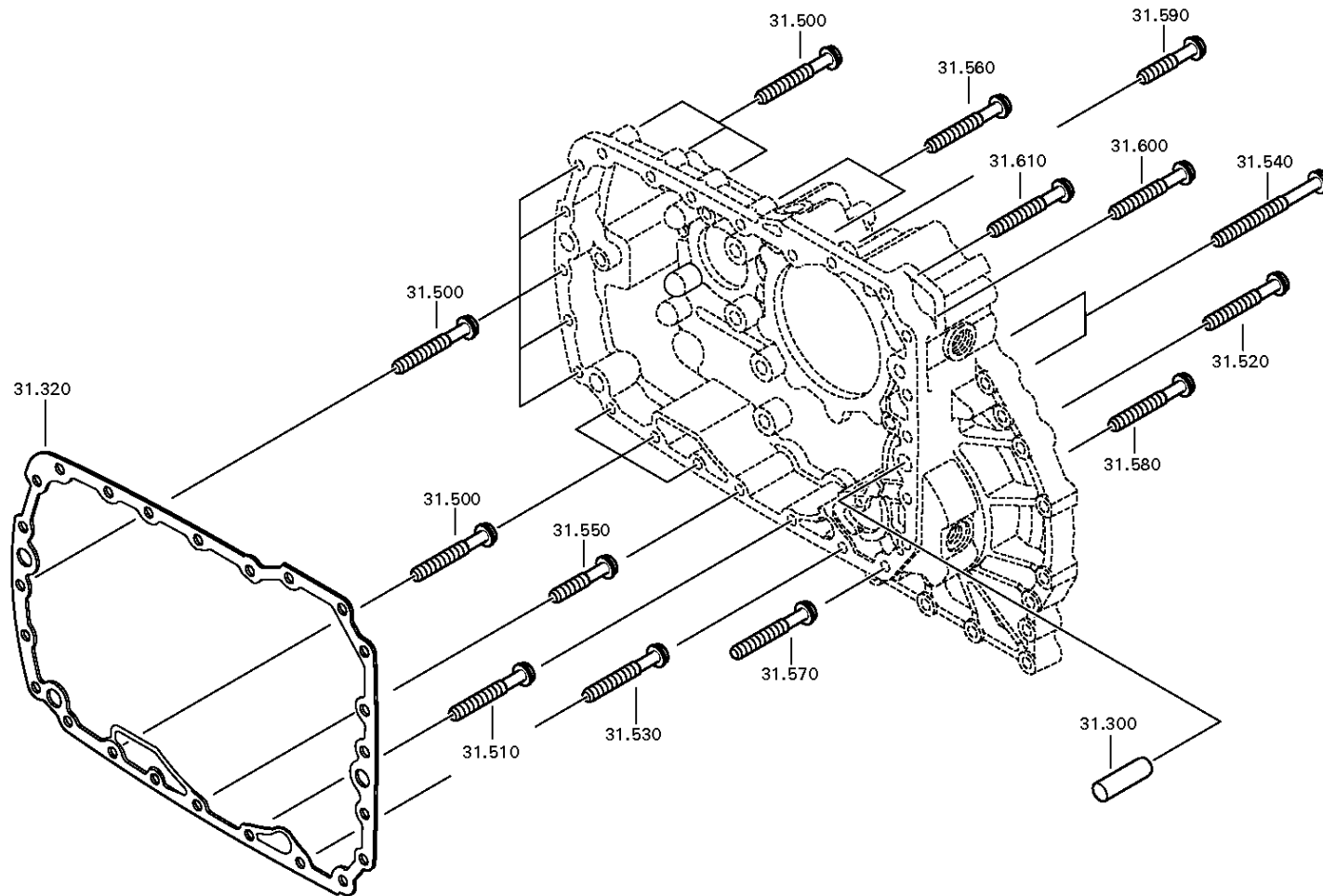
Material number: 1343.002.056

Plant: 068.43.80-1

COVER



16 S 2520 TO /
COVER



Parts list

Page 1 from 2



16 S 2520 TO /

Material number: 1343.002.056

Plant: 068.43.21-1

Material-assembly-group-no: 1315.131.047

Pos.	Material number	Customer material	Name	Quantity	ME	Amend. no.	Techn. Info.	Rep kit	Alternative material
10	1315.301.224		HOUSING	1			ENTHALT.IN 1315 301 222(0)		
20	---		SCREW PLUG	1		Z00010112111	60N.M*DICHTRING M24X1,5		
---	0636.304.088	1882905	SCREW PLUG	1		Z00010112110	M24X1,5		
---	0730.008.637	1428103	SEALING RING	1		Z00010112110	24X29		
50	0750.116.394	5 8092 0	BALL BEARING	1		C01007214E10	90,0X160,0X30,0		
80	1315.331.001	1621206	GASKET	1		C01005350C10			
90	1315.231.004		COVER	1			KPL.		
/120	0750.111.341	8 8812 0	SHAFT SEAL	1			105X130X12		
//10	0734.319.253		SHAFT SEAL	1			105X130X12 FA.CFW		
//20	0734.319.551		SHAFT SEAL	1					
120	0636.016.405		HEXAGON SCREW	9		Z00007060111	M10X60		
140	---		SCREW PLUG	1		C01004359F10	15N.M*DICHTRING M10X1		
---	0636.100.793		SCREW PLUG	1		Z00010111613	M10X1		
---	0730.008.055		SEALING RING	1			10X14		
160	1328.301.170	1878388	COVER	1		Z00008068010			
170	1238.308.201	5006880	GASKET	1			ENTHALT.IN 1238 308 202(2)		
180	0636.016.406		HEXAGON SCREW	4		Z00007061014	M12X25		
200	1296.301.008	70561090	SPRAY TUBE	1					
240	1315.334.039		GEARSHIFT FORK	1					
260	---		SWIVEL SCREW	1		Z00004075611	O.SCHEIBE M24X1,5 SK6		
---	1315.334.074	1877888	SWIVEL SCREW	1		Z00004075610			
270	---		SWIVEL SCREW	1		Z00004075611	O.SCHEIBE M24X1,5 SK6		
---	1315.334.074	1877888	SWIVEL SCREW	1		Z00004075610			
300	0731.201.563	1290941	CYLINDRICAL PIN	3					
320	1316.301.042	133-158-1320	GASKET	1					
340	1315.301.118	H0166247	INTERMEDIATE PLATE	1			ENTHALT.IN 1315 301 144(0)		
360	1316.301.042	133-158-1320	GASKET	1					
420	---		SCREW PLUG	1		Z00010111513	35N.M*DICHTRING M18X1,5		
---	0636.100.791		SCREW PLUG	1		Z00010111521	M18X1,5		
---	0634.801.062	1804055	SEALING RING	1		Z00010111521	18X24		
470	---		SCREW PLUG	1		Z00010111513	35N.M*DICHTRING M18X1,5		
---	0636.100.791		SCREW PLUG	1		Z00010111521	M18X1,5		
---	0634.801.062	1804055	SEALING RING	1		Z00010111521	18X24		
500	0736.300.123	1880233	HEXAGON SCREW	11			M10X70 M10X70		

Parts list

Page 2 from 2



16 S 2520 TO /

Material number: 1343.002.056

Plant: 068.43.21-1

Material-assembly-group-no: 1315.131.047

Pos.	Material number	Customer material	Name	Quantity	ME	Amend. no.	Techn. Info.	Rep kit	Alternative material
510	0736.300.123	1880233	HEXAGON SCREW	1			M10X70 M10X70		
520	0736.300.123	1880233	HEXAGON SCREW	1			M10X70 M10X70		
530	0736.300.123	1880233	HEXAGON SCREW	1			M10X70 M10X70		
540	0736.300.122		HEXAGON SCREW	2		Z00009403110	M10X110 M10X110		
550	0736.300.134		HEXAGON SCREW	1		Z00011103210	M10X45 M10X45		
560	0736.300.123	1880233	HEXAGON SCREW	2			M10X70 M10X70		
570	0736.300.123	1880233	HEXAGON SCREW	1			M10X70 M10X70		
580	0736.300.123	1880233	HEXAGON SCREW	1			M10X70 M10X70		
590	0736.300.134		HEXAGON SCREW	1		Z00011103210	M10X45 M10X45		
600	0736.300.123	1880233	HEXAGON SCREW	1			M10X70 M10X70		
610	0736.300.123	1880233	HEXAGON SCREW	1			M10X70 M10X70		

Plant

Page 1 from 2

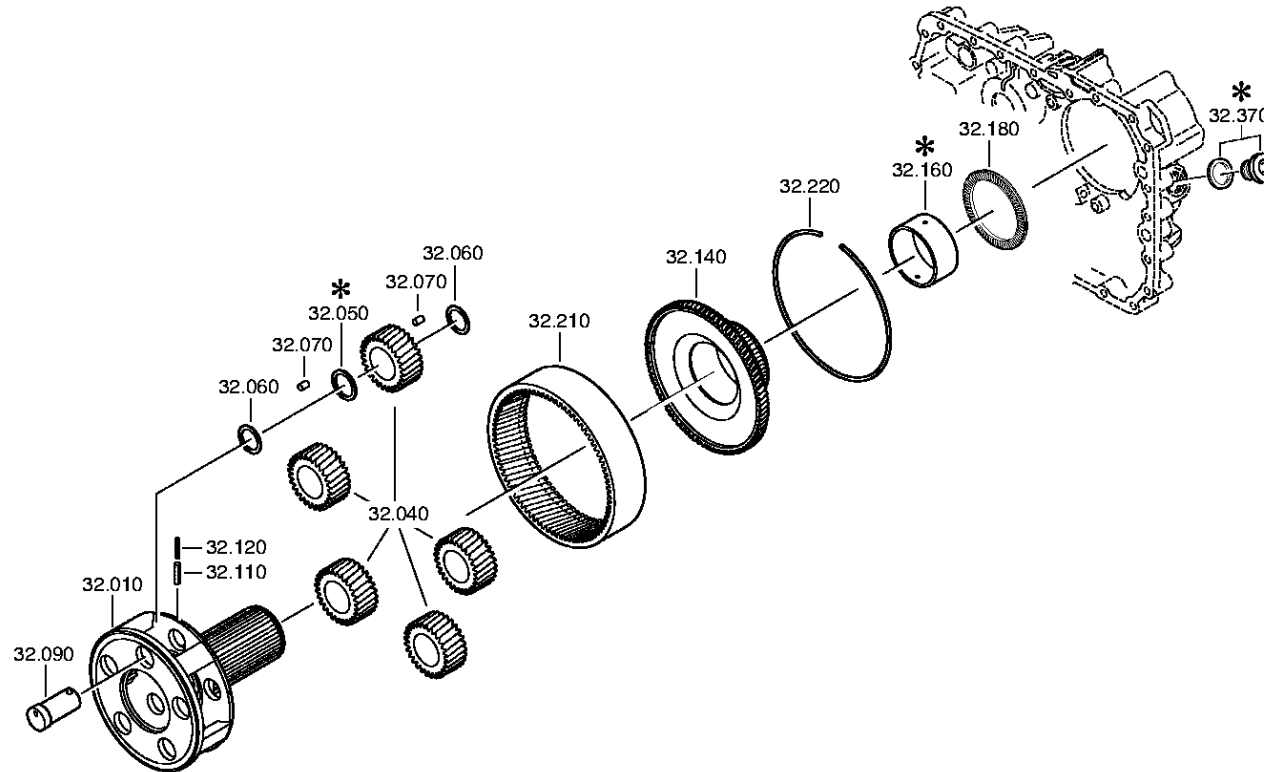
Material number: 1343.002.056

Plant: 068.44.07-1

PLANETARY DRIVE



16 S 2520 TO /
PLANETARY DRIVE



Plant

Page 2 from 2

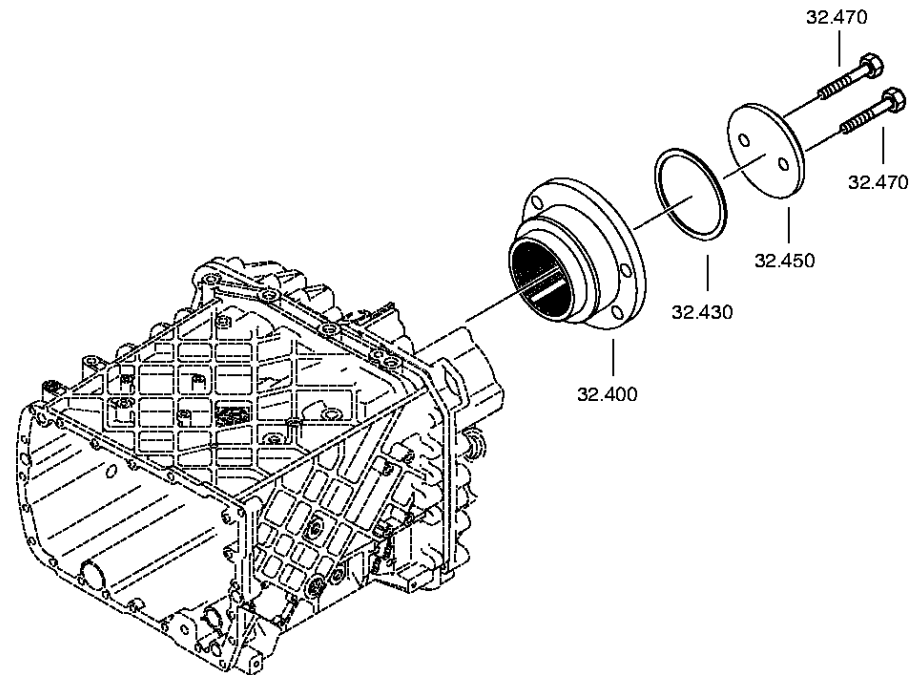
Material number: 1343.002.056

Plant: 068.44.47-1

PLANETARY DRIVE



16 S 2520 TO /
PLANETARY DRIVE



Parts list

Page 1 from 1



16 S 2520 TO /

Material number: 1343.002.056

Plant: 068.44.07-1

Material-assembly-group-no: 1316.132.015

Pos.	Material number	Customer material	Name	Quantity	ME	Amend. no.	Techn. Info.	Rep kit	Alternative material
10	1316.232.039		PLANET CARRIER	1		Z00014438013			
40	1316.232.011	5 5870 0	PLANET GEAR SET	1			KPL.		
50	0730.109.309	H0223831	INTERMEDIATE WASHER	5			A=7,90 IN 0730 105 951(2)		
60	0730.109.323	H0223698	INTERMEDIATE WASHER	10			A=2,30 IN 0730 105 951(2)		
70	0750.119.116	42140312	ROLLER	140			10,0X16,8		
90	1316.332.140	1904782	PLANET SHAFT	5		Z00014438013			
110	0631.329.147		SLOTTED PIN	5		Z00014438013	6X26		
120	0631.329.261	1909946	SLOTTED PIN	5			3,5X26		
140	1316.332.130	1808019	RING GEAR CARRIER	1		C01007305F10			
160	1316.333.014	1330414	INTERMEDIATE RING	1					
180	0735.298.169	5 8159 0	AXIAL NEEDLE BEARING	1			104,5X128,4X10,0 FA.INA		
210	1315.332.041	5 5867 0	RING GEAR	1		C01007220A10	IN 1316 332 055(1)		
220	0730.513.583		LOCKING WIRE	1			A=3,20 IN 0730 505 052(2)		
400	1316.332.143		OUTPUT FLANGE	1			ECO3*SOLO*ZINI-BESCHICHTUNG		
430	0634.313.805	1351646	O-RING	1			82X4		
450	1312.332.028		WASHER	1					
470	0636.011.777		HEXAGON SCREW	2		Z00007292012	M12X60		

Plant

Page 1 from 2

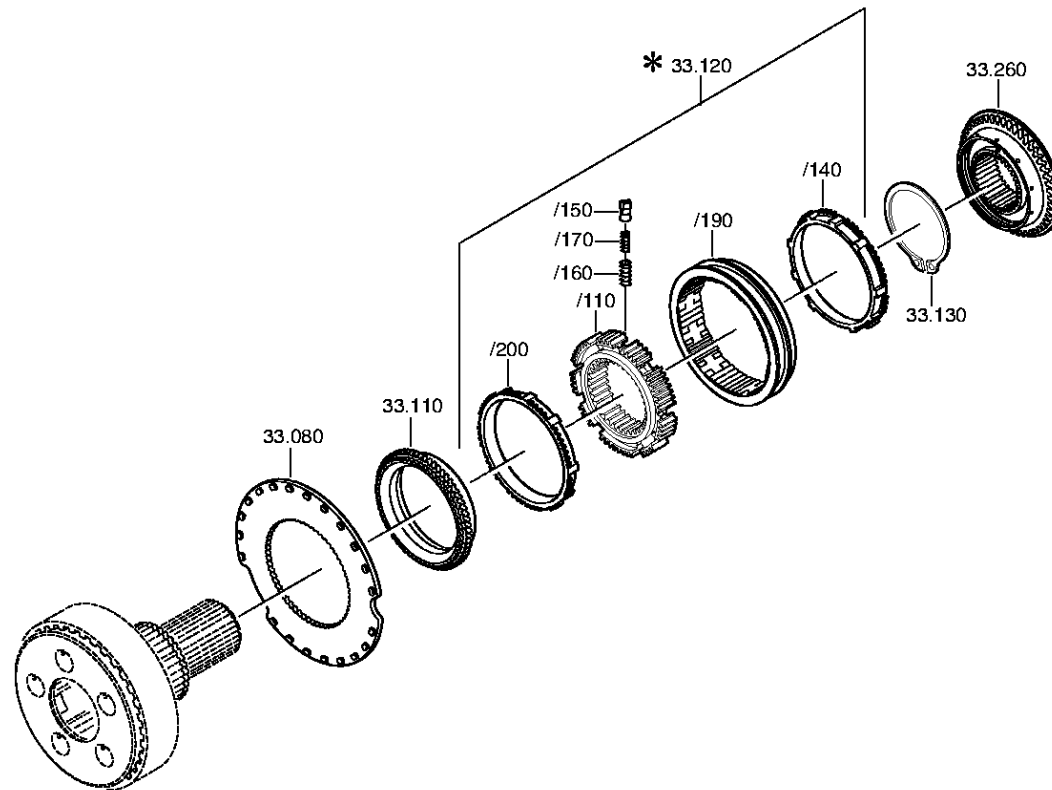
Material number: 1343.002.056

Plant: 068.45.04-1

SYNCHRONIZER



16 S 2520 TO /
SYNCHRONIZER



Plant

Page 2 from 2

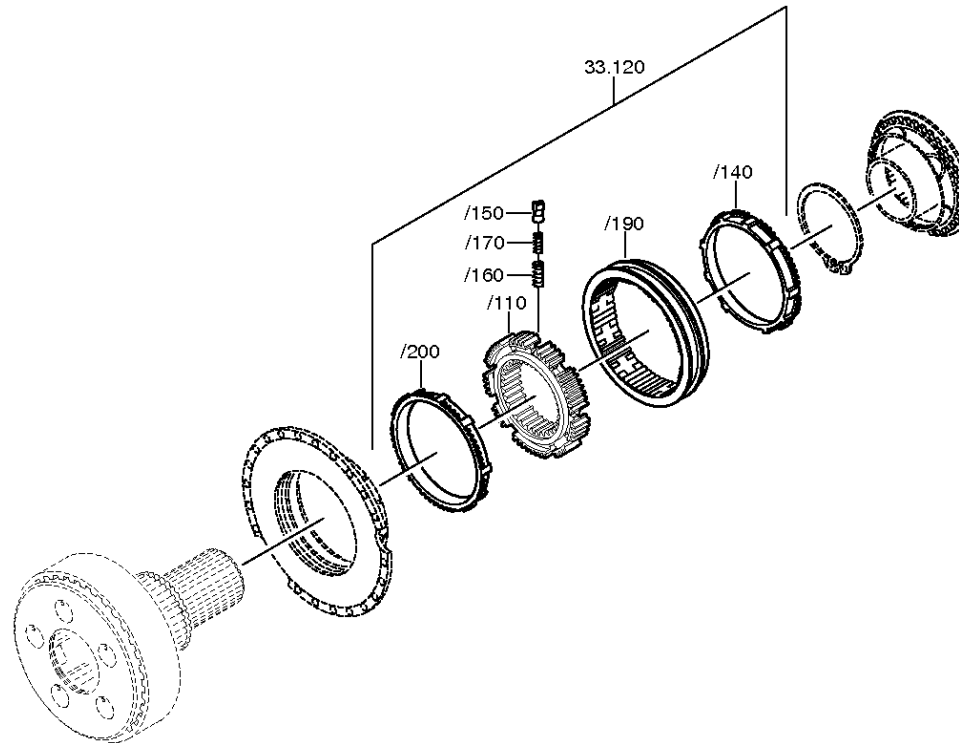
Material number: 1343.002.056

Plant: 068.45.40-1

SYNCHRONIZER



16 S 2520 TO /
SYNCHRONIZER



Parts list

Page 1 from 1



16 S 2520 TO /

Material number: 1343.002.056

Plant: 068.45.04-1

Material-assembly-group-no: 1316.133.008

Pos.	Material number	Customer material	Name	Quantity	ME	Amend. no.	Techn. Info.	Rep kit	Alternative material
80	1296.333.046	1450534	CLUTCH DISC	1			ENTHALT.IN 1296 333 051(1)		
110	1296.333.050	5 5302 0	CLUTCH BODY	1		C01002627A10	ENTHALT.IN 1296.333.053(1)		
120	1316.233.022		SYNCHRONIZER	1			KPL.PROFIL 80GV-GP 90SV-GP		
/110	1313.333.001		SYNCHRO.BODY	1			ENTHALT.IN 1296 333 014(1)		
/140	1296.333.045	5 5301 0	SYNCHRO.RING	1					
/150	1240.304.278	3362640239	PRESSURE PART	9					
/160	0732.040.385	3362640693	COMPRESSION SPRING	9					
/170	0732.040.386	3362640793	COMPRESSION SPRING	9					
/190	1316.333.034	1780340	SLIDING SLEEVE	1		C01007317F10	ZF-B 165/74 GP		
/200	1296.333.045	5 5301 0	SYNCHRO.RING	1					
130	0630.501.175	0692274	RETAINING RING	1		Z00006943010	125X3,7		
260	1316.233.029	1799031	CLUTCH BODY	1		C01007305F10	KPL. ZF-B 165/74		

Plant

Page 1 from 2

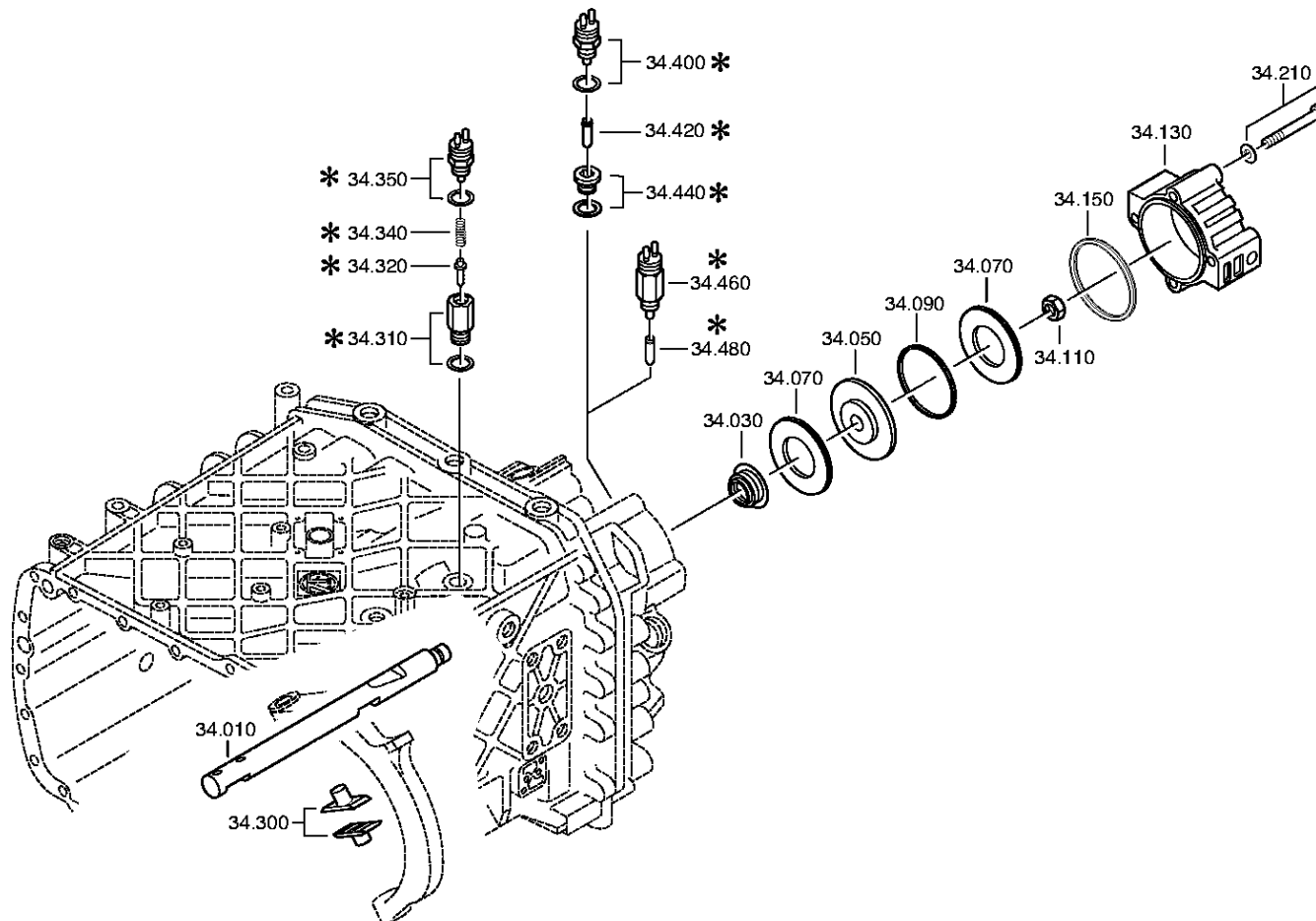
Material number: 1343.002.056

Plant: 068.46.02-1

GP SHIFT SYSTEM



16 S 2520 TO /
GP SHIFT SYSTEM



Plant

Page 2 from 2

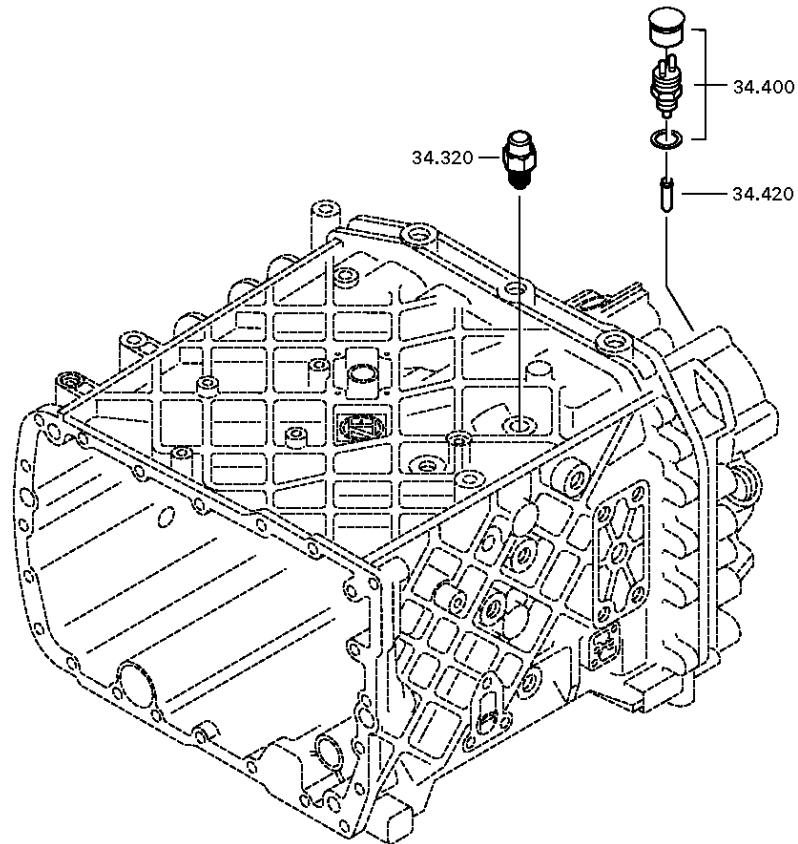
Material number: 1343.002.056

Plant: 068.46.40-1

GP SHIFT SYSTEM



16 S 2520 TO /
GP SHIFT SYSTEM



Parts list

Page 1 from 1



16 S 2520 TO /

Material number: 1343.002.056

Plant: 068.46.02-1

Material-assembly-group-no: 1316.134.021

Pos.	Material number	Customer material	Name	Quantity	ME	Amend. no.	Techn. Info.	Rep kit	Alternative material
10	1316.334.016	1781368	GEAR SHIFT RAIL	1					
30	0750.112.253	5 8342 0	FLANGE PACKING	1			25X40X15		
50	---		PISTON	1			GP		
---	1315.334.034		PISTON	1			ENTHALT.IN 1315 334 040(2)		
---	1315.334.063		PISTON	1					
70	0734.307.294	5 8400 0	SEALING RING	2			49X91X7,4 FA.KACO		
90	0750.112.066	5 5131 0	GUIDE RING	1					
110	0737.300.037	1874075	LOCKING NUT	1			MS16X1,5		
130	1315.334.069	5 5836 0	CYLINDER	1					
150	0501.317.536	5 6096 0	PROFILE SEALING RING	1					
210	---		HEXAGON SCREW	4		Z00007349210	M10X90		
---	0636.015.688	1896739	HEXAGON SCREW	4		Z00007349212	M10X90		
---	0630.100.294	1894557	WASHER	4		Z00007158111			
300	1296.334.004	5 5174 0	SLIDING PAD	2					
320	---		DETENT PLUNGER	1			145N*50N.M		
---	1324.207.035	H0472239	DETENT PLUNGER	1			KPL. *145 N		
---	0730.008.604	1638154	SEALING RING	1					
400	---		SWITCH	1		Z00025033610	SCHL*45N.M*DICHTRING*BAJONETT* SCHUTZKAPPE		
---	0501.331.660	2007380	SWITCH	1		Z00025033617			
---	0634.801.062	1804055	SEALING RING	1		Z00025033617	18X24		
420	1295.212.006		PIN	1			KPL.		

Plant

Page 1 from 1

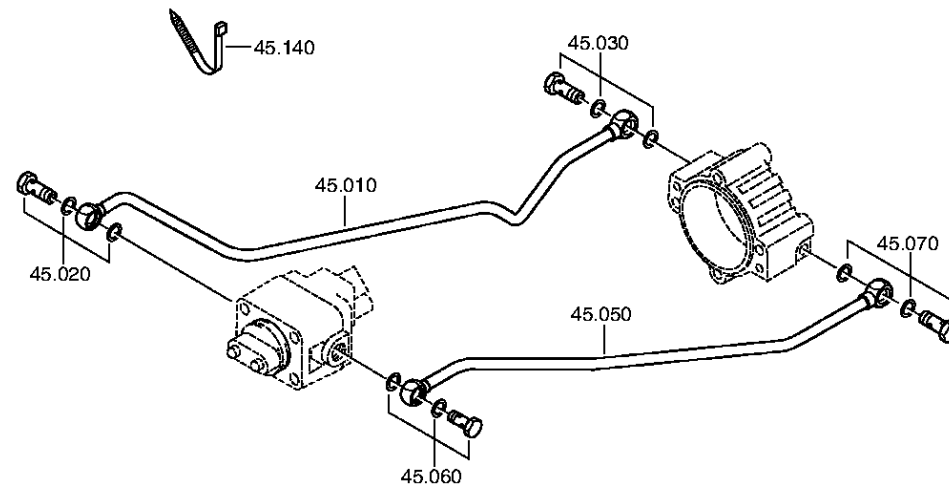
Material number: 1343.002.056

Plant: 068.57.04-1

Material-assembly-group-no: 1316.145.002



16 S 2520 TO /
RANGE SELECTION



Parts list

Page 1 from 1



16 S 2520 TO /

Material number: 1343.002.056

Plant: 068.57.04-1

Material-assembly-group-no: 1316.145.002

Pos.	Material number	Customer material	Name	Quantity	ME	Amend. no.	Techn. Info.	Rep kit	Alternative material
10	1316.245.012		TUBE	1		C01003831B10	KPL.GP RE*L=589MM*12X1,5		
/110	0737.300.040		RING PIECE	1		Z00008929310			
/120	1316.345.007		TUBE	1					
/130	0737.300.040		RING PIECE	1		Z00008929310			
20	---		UNION SCREW	1		Z00010274511	M14X1,5		
---	0737.300.061	1907567	UNION SCREW	1		Z00012473710	M14X1,5		
---	0634.801.217	99707034424	SEALING RING	1		Z00010274513	14X20		
30	---		UNION SCREW	1		Z00010274511	M14X1,5		
---	0737.300.061	1907567	UNION SCREW	1		Z00012473710	M14X1,5		
---	0634.801.217	99707034424	SEALING RING	1		Z00010274513	14X20		
50	1316.245.013		TUBE	1		C01003831B10	KPL.GP LI*L=605MM*12X1,5		
60	---		UNION SCREW	1		Z00010274511	M14X1,5		
---	0737.300.061	1907567	UNION SCREW	1		Z00012473710	M14X1,5		
---	0634.801.217	99707034424	SEALING RING	1		Z00010274513	14X20		
70	---		UNION SCREW	1		Z00010274511	M14X1,5		
---	0737.300.061	1907567	UNION SCREW	1		Z00012473710	M14X1,5		
---	0634.801.217	99707034424	SEALING RING	1		Z00010274513	14X20		
140	0659.160.081		CABLE CLIP	1		C01006654E10	4,7X210		