



Spare Parts Catalog

16 S 151

Material number: 1315.051.760

Current date: 17.05.2013

ZF Friedrichshafen AG
Hauptverwaltung
80038 Friedrichshafen
Deutschland

Telefon: +49 7541 77-0

Telefax: +49 7541 77-908000

www.zf.com

zuständiges Werk:
Friedrichshafen

Notes relating to the spare parts catalog

Setup of the spare parts catalog

- Cover sheet
- Technical Cover (only in SDM print)
- Overview of figures
- Figure
- Associated parts list
- Next figure
- Associated parts list
- ...

Figure and parts list



Overview of figures

Bildtafel Figure	Sachnummer Product number	Benennung (Description)	Technische Info Technical info	Description (Benennung)	Menge Quantity	Einheit Unit
068.08.17	1316.170.001	AUSLEGER	WL	SHIFT TURRET	1	Stk
068.08.06	1316.170.031	DECKEL	WL*H-H *VM	COVER	1	Stk
068.08.14	1316.170.808	DECKEL	WL*AUSL+GEH*H-H*HF160N	COVER	1	Stk
08	1316.170.441	ANSCHLUSSTEILE	WL*NG-VORB*RG-SCHL*168N *BAJONETT	CONNECTING PARTS	1	Stk

The "gap" indicates that there is no separate graphics panel (poster) for this assembly
The parts of this assembly are shown with the same mid-section number on the figure

1 Positions and subpositions

Pos.	Sachnummer Product number	Benennung (Description)	Technische Info Technical info	Description (Benennung)	Menge Quantity	Einheit Unit
0370	1315.201.054	RUECKLAUFBOLZEN	KPL.16S151*SG*L= 79	REV.IDLER SHAFT	1	Stk
/0120	0631.329.293	SPANNSTIFT		SLOT. PIN	1	Stk

Positions marked with "/" are the individual items of a completion
For example: Position 0370 contains a centering pin with the position /0120

2 Combinations with standardized parts

Pos.	Sachnummer Product number	Benennung (Description)	Technische Info Technical info	Description (Benennung)	Menge Quantity	Einheit Unit
0630		VERSCHL.SCHR.		SCREW PLUG	1	Stk
	0636.302.067	VERSCHL.SCHR.		SCREW PLUG	1	Stk
	0634.801.249	DICHTRING	A 26 X 31	SEALING RING	1	Stk

The parts list shows the components included in the combination of standardized parts

3 Depiction of position/item number on the figure and in the parts list

01.620 - on the figure 01 relates to the assembly in which the position is included. Due to program-related reasons, it is shown on the figure.

0620 - in the parts list

Pos.	Sachnummer Product number	Benennung (Description)	Technische Info Technical info	Description (Benennung)	Menge Quantity	Einheit Unit
0620	0732.040.736	DRUCKFEDER		COMPRESSION SPRING	1	Stk

4 *-Positions

Positions marked with an * are optional i.e. inclusion in the parts list is not mandatory.
The following note is shown on the figure

je nach Stücklistenausführung
depending on spec. number
*
suivant la nomenclature
secondo la distinta base

5 Parts, dotted display

Parts with dotted display on the figure are only used for orientation of other parts



Pos.	Information	Amendment number
001	Use case -----	
002	Customer Renault Vehicules Industriels	
003	City Saint Priest Cedex	
004	DUNS 27-813-6346	
006	Sales Name PREMIUM	
007	Manufacturer Renault Vehicules Industriels	
008	Engineering Name	
009	Product Use TRUCK	
011	SOP	
012	Engine	
013	Sales Designation	
014	Manufacturer Renault Vehicules Industriels	
015	Eng.Displ.	
016	Cylinder	
017	Nom. power 280 kW	
018	RPM at nom. power 2000 1/min	
019	Nom. torque 1730 Nm	
020	RPM at nom. torque 1200 1/min	
021	Classification use case -----	
022	DESIGNATION, CLUTCH 430DTE	
023	MANUFACTURER, CLUTCH VALEO	
024	TOTAL NUMBER OF WHEELS 6	
025	NUMBER OF DRIVING WHEELS 4	
026	DYNAMIC TYRE RADIUS 546 mm	
027	REAR AXLE RATIO 4.35	
031	PERMISS.GROSS VEHICLE WEIGHT 34 t	
032	PERMISS.GROSS COMBIN.WEIGHT 44 t	
033	Use case -----	
034	Customer Renault Vehicules Industriels	
035	City Saint Priest Cedex	
036	DUNS 27-813-6346	
038	Sales Name PREMIUM	
039	Manufacturer Renault Vehicules Industriels	



Pos.	Information	Amendment number
040	Engineering Name	
041	Product Use TRUCK	
043	SOP	
044	Engine	
045	Sales Designation	
046	Manufacturer Renault Vehicules Industriels	
047	Eng.Displ.	
048	Cylinder	
049	Nom. power 280 kW	
050	RPM at nom. power 2000 1/min	
051	Nom. torque 1730 Nm	
052	RPM at nom. torque 1200 1/min	
053	Classification use case -----	
054	DESIGNATION, CLUTCH 430DTE	
055	MANUFACTURER, CLUTCH VALEO	
056	TOTAL NUMBER OF WHEELS 6	
057	NUMBER OF DRIVING WHEELS 6	
058	DYNAMIC TYRE RADIUS 522 mm	
059	REAR AXLE RATIO 5.79	
063	PERMISS.GROSS VEHICLE WEIGHT 34 t	
064	PERMISS.GROSS COMBIN.WEIGHT 100 t	
065	Product description -----	
066	INSTALLATION POS TRANSMISSION HORIZONTAL LEFT	
067	TRANSMISSION ATTACHMENT FLANGE-MOUNTED	
069	RATIO, BOTTOM GEAR 13.8	
070	RATIO, TOP GEAR .84	
071	RATIO, 1ST GEAR 13.8	
072	RATIO, 2ND GEAR 11.54	
073	RATIO, 3RD GEAR 9.49	
074	RATIO, 4TH GEAR 7.93	
075	RATIO, 5TH GEAR 6.53	
076	RATIO, 6TH GEAR 5.46	
077	RATIO, 7TH GEAR 4.57	



Pos.	Information	Amendment number
078	RATIO, 8TH GEAR 3.82	
079	RATIO, 9TH GEAR 3.02	
080	RATIO, 10TH GEAR 2.53	
081	RATIO, 11TH GEAR 2.08	
082	RATIO, 12TH GEAR 1.74	
083	RATIO, 13TH GEAR 1.43	
084	RATIO, 14TH GEAR 1.2	
085	RATIO, 15TH GEAR 1	
086	RATIO, 16TH GEAR .84	
087	RATIO, 1ST GEAR REVERSE 12.92	
088	RATIO, 2ND GEAR REVERSE 10.8	
089	SET OF RATIOS SG	
090	UEBERSETZUNGSREIHE BASIS DG	
091	NUMBER OF PLANETARY GEARS 5	
092	UEBERSETZUNG PLANETENSATZ 4.565	
093	AUSF VERZAHNUNG PLANETENSATZ OBLIQUE TOOTHING	
094	DESIGN, SHIFT SYSTEM TURNING SHAFT	
095	POSITION, GEAR SHIFT SYSTEM HORIZONTAL LEFT	
096	DESIGN, SHIFT PATTERN H-H	
097	VERSION SHIFT SUPPORT WITHOUT GROOVE	
098	VERSION ACTUATION SHIFT SYSTEM MECHANICAL	
100	VERSION TUBE R/C PLASTIC-FORM-PIPE	
112	DESIGN, THROTTLE, CUT-OFF VALVE D=1.55	
113	AUSF LUFTANSCHL ABSCHALTVENTIL G	
114	MONTAGEHINWEIS ABSCHALTVENTIL CUT-OFF VALVE	
117	SELECTION PATTERN VARIANT GEAR SHIFT PATTERN 1	
121	DESIGN, SEPARATING CLUTCH FULL-SYNCHRONIZED	
122	VERSION OF SYNCHRONIZER 1 1.+2.GEAR DK-SYNCHRONIZATION	
123	VERSION OF SYNCHRONIZER 2 3.+4.GEAR BK-SYNCHRONIZATION	
124	REFERENCE LENGTH INPUT SHAFT 109 mm	
125	STANDARD TYPE INPUT SHAFT SAE	
126	NUMBER OF WEDGES INPUT SHAFT 10	
129	VERSION OF INPUT SHAFT FORM C	



Pos.	Information	Amendment number
130	NOMINAL DIAMETER INPUT SHAFT 2 in	
132	DIAMETER, JOURNAL, INPUT SHAFT 25 mm	
133	TYPE FIT SPIGOTS INPUT SHAFT F7	
134	VER. BEAR. SPIGOTS INPUT SHAFT TAPER ROLLER	
135	LENGTH, INPUT SHAFT 382.5 mm	
136	DIAMETER SHAFT OF INPUT SHAFT 50.3 mm	
137	LENGTH, PROFILE, INPUT SHAFT 120 mm	
138	BUSH VARIANT INPUT SHAFT WITHOUT GROOVE	
139	VERSION BEARING CONSTANT 1 GL	
140	DIAMETER BEARING INPUT SHAFT 99.916 mm	
141	TYPE FIT BEAR. INPUT SHAFT H5	
143	DESIGN,CONN., CLUTCH HOUSING SAE 1	
148	VERSION OF CLUTCH HOUSING INTEGRATED	
149	DESIGN BEARING OUTPUT STANDARD SUSPENSION	
151	POSITION MOUNT. FACE HOUSING 2 WITHOUT GROOVE	
158	REF.LENGTH,RELEASE BEAR.FLAN -7 mm	
159	DIAMETER, RELEASE FLANGE 60 mm	
160	TYPE FIT RELEASE BEARING FLA. F8	
164	ASSEMBLY POS. CLUTCH CYLINDER 6	
165	OUTER DIA. OUTPUT FLANGE RA 180 mm	
167	NO.OF BORES OUTPUT FLANGE HA1 4	
170	BORE DIA. OUTPUT FLANGE RA 15 mm	
174	CORROS.PROTECTION, OUTP.FLANGE COATED	
175	REF. LENGTH OUTPUT FLANGE RA 211.5 mm	
182	DIMENSION SHIFT TURRET DIST. 288 mm	
183	MEAS. LOC. SHIFT TURRET DIST. SHIFT LEVER-LOCATION	
189	RADIUS 1 SHIFT LEVER 113 mm	
190	SHIFT LEVER CONNECTION KNURLING	
191	DESIGN, OFFSET, SHIFT LEVER INSIDE	
193	LEVER POSITION SHIFTING OUTPUT C	
198	G.SHIFT LEVER ANGL.EPSILON MIN 6.000 GRAD	
199	G.SHIFT LEVER ANGL.EPSILON MAX 12 GRAD	
207	SPRING ARRANGEMENT Q1	



Pos.	Information	Amendment number
208	SPRING FORCE DETENT PLUNGER RG 90 N	
209	HUMP SPRING FORCE, OUTSIDE 90 N	
212	SELECTOR SPRING FORCE, OUTSIDE 50 N	
214	SPRING FORCE,GEAR DETENT NG+GG 168 N	
215	SPRING FORCE OUTS. DETENT NEUT 200 N	
225	SWITCH, REVERSE GEAR y	
226	DESIGN, RG (REV.GEAR) SWITCH CLOSING	
227	DESIGN, CONNECTION, RG SWITCH DIN BAYONET	
228	CODE SWITCH RG A1	
229	PROT.CAP SWITCH, REVERSE GEAR y	
231	NOTE ON SWITCH, REVERSE GEAR G.SHIFT SHAFT	
232	SWITCH, NEUTRAL GEAR y	
233	DESIGN,NG(NEUTRAL GEAR)SWITCH OPENING SWITCH	
234	DESIGN, CONNECTION, NG SWITCH DIN BAYONET	
235	CODE SWITCH NG A1	
236	PROT.CAP SWITCH, NEUTRAL GEAR y	
253	FUNCTION OF R/C SWITCH GP	
254	DESIGN, GP SWITCH PREPARED	
257	PROTECTING CAP GP SWITCH n	
264	FUNCTION OF S/G SWITCH GV	
265	DESIGN, GV SWITCH OPENING SWITCH	
266	DESIGN, CONNECTION, GV SWITCH DIN BAYONET	
268	PROTECTING CAP GV SWITCH y	
315	ATTACHM.POS.HEAT EXCHANGER IN FRONT LEFT PREPARED	
317	VER. TRANSMISSION VENTILATION BREATHER	
336	VERSION PULSE SENSOR SFA H68 WITHOUT GROOVE	
340	PROT.CAP PULSE SENSOR SFA H68 n	
341	NO. PULSES PULSE SENSOR SFAH68 6 IMP/U	
346	VER. PULSE SENSOR TRANSM. H70 WITH	
350	PROT.CAP PULSE SENSOR TM H70 y	
351	NO PULSES PULSE SENSOR TM H70 6 IMP/U	
352	ASSEMBLY POS PULSE SENSOR H70 1	
353	NOTE ASS. POS PULSE SENSOR H70 INSTALLATION DRAWING	



Pos.	Information	Amendment number
368	POSITION, OIL FILLER HOUSING LEFT+RIGHT	
369	NOTE ON OIL FILL FILL IN OVERFLOW	
370	OIL CAPACITY, GEARBOX 11 dm3	
372	OIL GRADE PERMISSIBLE ACC. TO TE-ML02	
373	OIL CLASS FIRST FILLING E	
374	CODING OUTER CONSERVATION KA1	
375	SCOPE OUTER CONSERVATION T	
376	CODING INNER CONSERVATION KI1	
377	CONSERVATION SPECIFICATION ZFN 916	
379	COLOR JET BLACK	
380	COLOUR CLASSIFICATION ACC. TO RAL 9005	
381	PAINTING, ZF STANDARD 915 W	
384	Documents -----	
385	Drawing 1315.051.503	
386	16-GANG-GETR. Drawing 1315.600.187	
387	Drawing 1316.101.035	
388	TURN.SHAFT CONT Drawing 1316.172.003	
389	Alias ID -----	
390	Renault Vehicules Industriels 5010452129	

Assembly group overview

Material number: 1315.051.760

16 S 151 /

Page 1 from 2



Graphics	Pos.	Material number	Name	Quantity	Amend. no.	Techn. Info.
068.01.05-1	110	1315.101.123	GEARBOX HOUSING	1		
068.01.51-1	120	1315.101.977	GEARBOX HOUSING	1		
068.02.54-1	140	1315.102.429	CONNPLATE	1		
068.02.82-1	150	1315.102.811	INPUT SHAFT	1		
068.02.02-1	910	1315.102.055	INPUT SHAFT	1		
068.03.80-1	180	1316.103.803	LAYSHAFT	1		
068.03.01-1	920	1315.103.019	LAYSHAFT	1		
068.04.12-1	930	1315.104.027	MAIN SHAFT	1		
068.06.01-1	230	1315.106.008	GEAR SHIFT SYSTEM	1		
068.06.43-1	234	1315.106.422	CONNECTING PARTS	1		
068.06.80-1	238	1315.106.800	GEAR SHIFT SYSTEM	1		
068.07.08-1	282	1315.107.854	GEAR SHIFT HOUSING	1		
068.07.12-1	910	1316.107.035	GEAR SHIFT HOUSING	1		
068.07.08-1	914	1316.107.435	GEAR SHIFT SHAFT	1		
068.07.09-1	920	1316.107.004	CONNECTING PARTS	1		
068.08.17-1	926	1316.170.001	SHIFT TURRET	1		
068.08.06-1	930	1316.170.031	COVER	1		
068.08.06-1	934	1316.170.810	COVER	1		
068.08.15-1	938	1316.170.442	CONNECTING PARTS	1		
068.12.01-1	922	1316.149.007	SET OF SPRINGS	1		
068.40.04-1	500	1315.112.014	GV-SHIFT SYSTEM	1		
068.40.41-1	502	1315.112.422	CONNECTING PARTS	1		
068.43.21-1	10	1315.131.047	COVER	1		
068.43.06-1	20	1315.131.050	GP HOUSING	1		
068.43.40-1	30	1315.131.400	CLOSING COMPONENTS	1		
068.43.80-1	512	1315.131.805	GP HOUSING	1		
068.43.41-1	516	1315.131.410	CONNECTING PARTS	1		
068.44.07-1	40	1315.132.015	PLANETARY DRIVE	1		
068.44.47-1	50	1316.132.421	PLANETARY DRIVE	1		
068.45.04-1	70	1316.133.008	SYNCHRONIZER	1		
068.45.40-1	80	1315.133.405	SYNCHRONIZER	1		
068.46.03-1	90	1315.134.015	GP SHIFT SYSTEM	1		

Assembly group overview

Material number: 1315.051.760

16 S 151 /

Page 2 from 2



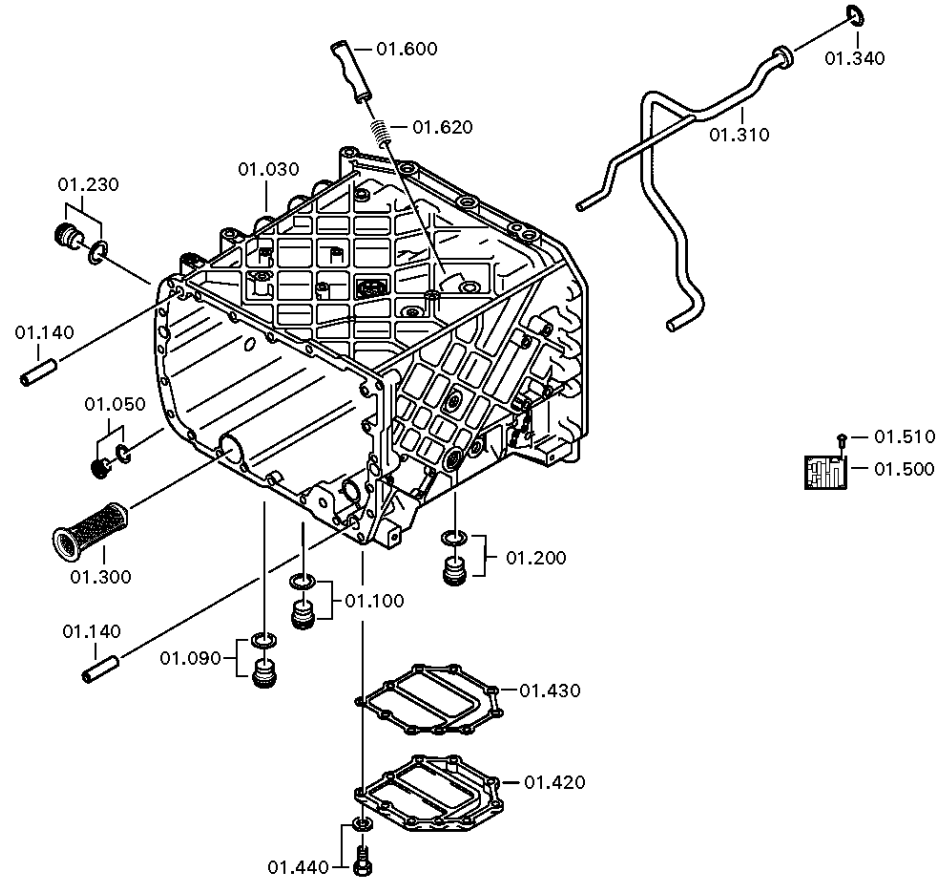
Graphics	Pos.	Material number	Name	Quantity	Amend. no.	Techn. Info.
068.46.41-1	554	1315.134.409	CONNECTING PARTS	1		
068.57.04-1	390	1315.145.004	RANGE SELECTION	1		

Plant

Page 1 from 2

Material number: 1315.051.760
Plant: 068.01.05-1
GEARBOX HOUSING

16 S 151 /
GEARBOX HOUSING

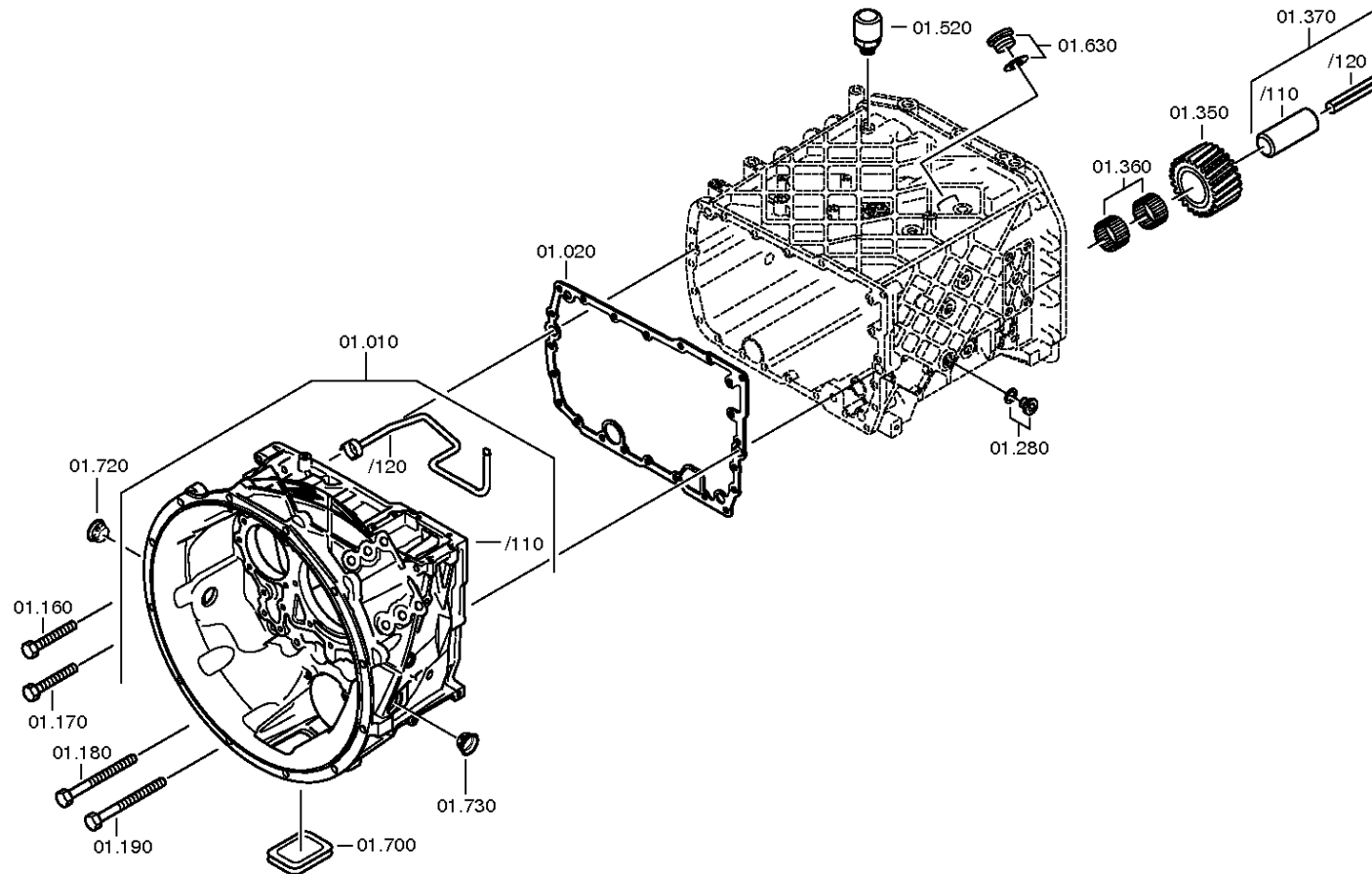


Plant

Page 2 from 2

Material number: 1315.051.760
Plant: 068.01.51-1
GEARBOX HOUSING

16 S 151 /
GEARBOX HOUSING



Parts list

Page 1 from 2

Material number: 1315.051.760

16 S 151 /

Plant: 068.01.05-1

Material-assembly-group-no: 1315.101.123



Pos.	Material number	Customer material	Name	Quantity	ME	Amend. no.	Techn. Info.	Weight	Rep kit	Alternative material
10	1316.201.142		CLUTCH HOUSING	1			KPL.	0,000		
/110	1316.301.064		CLUTCH HOUSING	1			ENTHALT.IN 1316 301 060(0)	0,000		
/120	1315.201.097		PIPE	1			KPL.	0,000		
20	1315.301.233	5 5367 0	GASKET	1		C01005348C10		0,000		
30	1315.201.208		HOUSING	1			KPL.	0,000		
50	---		SCREW PLUG	1		Z00010176111	M24X1,5	0,000		
---	0736.300.160	4471982.1	SCREW PLUG	1		Z00010176110	M24X1,5 M24X1,5	0,000		
---	0730.008.637		SEALING RING	1		Z00010176110	24X29	0,000		
90	---		SCREW PLUG	1		Z00010164013	50N.M*DICHTRING M22X1,5	0,000		
---	0636.100.824		SCREW PLUG	1		Z00010164019	M22X1,5	0,000		
---	0730.009.515		SEALING RING	1		Z00010164019	A22X27	0,000		
100	---		SCREW PLUG	1		Z00010164013	50N.M*DICHTRING M22X1,5	0,000		
---	0636.100.824		SCREW PLUG	1		Z00010164019	M22X1,5	0,000		
---	0730.009.515		SEALING RING	1		Z00010164019	A22X27	0,000		
140	0731.201.563		CYLINDRICAL PIN	4				0,000		
160	0736.300.123	1880233	HEXAGON BOLT	14			M10X70 M10X70	0,000		
170	---		HEXAGON BOLT	1			M10X70	0,000		
---	0736.300.123	1880233	HEXAGON BOLT	1			M10X70 M10X70	0,000		
180	0736.300.119		HEXAGON BOLT	6		Z00009403410	M10X140 M10X140	0,000		
190	---		HEXAGON BOLT	1		Z00009403410	M10X140	0,000		
---	0736.300.119		HEXAGON BOLT	1		Z00009403412	M10X140 M10X140	0,000		
200	---		SCREW PLUG	1		Z00010112111	60N.M*DICHTRING M24X1,5	0,000		
---	0636.304.088		SCREW PLUG	1		Z00010112110	M24X1,5	0,000		
---	0730.008.637		SEALING RING	1		Z00010112110	24X29	0,000		
230	---		SCREW PLUG	1		Z00010112111	60N.M*DICHTRING M24X1,5	0,000		
---	0636.304.088		SCREW PLUG	1		Z00010112110	M24X1,5	0,000		
---	0730.008.637		SEALING RING	1		Z00010112110	24X29	0,000		
280	---		SCREW PLUG	1		Z00010112111	60N.M*DICHTRING M24X1,5	0,000		

Parts list

Page 2 from 2

Material number: 1315.051.760

16 S 151 /

Plant: 068.01.05-1

Material-assembly-group-no: 1315.101.123



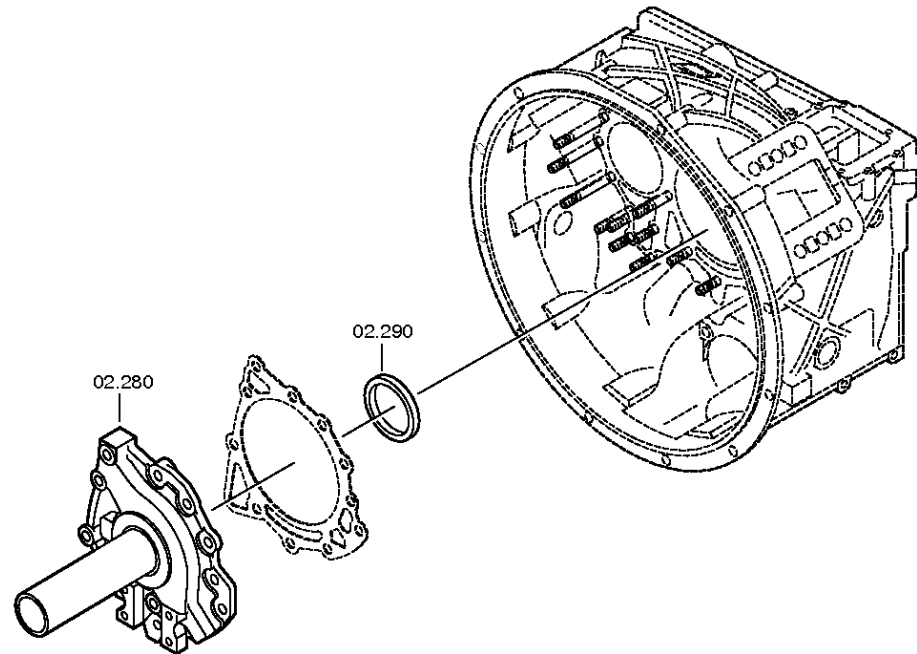
Pos.	Material number	Customer material	Name	Quantity	ME	Amend. no.	Techn. Info.	Weight	Rep kit	Alternative material
---	0636.304.088		SCREW PLUG	1		Z00010112110	M24X1,5	0,000		
---	0730.008.637		SEALING RING	1		Z00010112110	24X29	0,000		
300	0501.318.802	5718 742 08	SCREEN INSERT	1				0,000		
310	1315.201.111		SPRAY TUBE	1			KPL. IN 1315 201 112(0)	0,000		
340	0634.313.198	1000004936	O-RING	1			20X3	1		
350	---		REVERSE IDLER GEAR	1		Z00010875410		0,000		
360	0750.115.366	5 8107 0	NEEDLE CAGE	2			45,0X57,0X21,0	0,000		
370	1315.201.053		REVERSE IDLER SHAFT	1			KPL.16S151*DG*L=84	0,000		
/120	0631.329.294		SLOTPIN	1			10X100	0,000		
420	1315.301.151		COVER	1				0,000		
430	0501.316.146	133-198-1940	GASKET	1				0,000		
440	0636.100.432		HEXAGON BOLT	10		Z00007349511	M10X28	0,000		
500	---		TYPE PLATE	1			KONZERN	0,000		
---	0730.365.241		TYPE PLATE	1			EINHEITSSCH. VERDREHSICHER	0,000		
---	0730.365.259		TYPE PLATE	1			EINHEITSSCH. VERDREHSICHER	0,000		
---	0730.365.267		TYPE PLATE	1			CHINA	0,000		
---	0730.300.258		TYPE PLATE	1			EINHEITSSCH. VERDREHSICHER	0,000		
---	0730.365.271		TYPE PLATE	1			RUSSLAND/ KYRILLISCH	0,000		
---	0730.365.257		TYPE PLATE	1			S.S.CH IRAN	0,000		
510	0731.300.027		BLIND RIVET	4		Z00007904810		0,000		
520	0501.218.540		BREATHER	1				0,000		
600	1313.306.013		LOCKING PIN	1				0,000		
620	0732.040.736	2150041300	COMPRSPRING	1				5,200		
630	---		SCREW PLUG	1		Z00010164412	70N.M*DICHTRING M26X1,5	0,000		
---	0636.100.811		SCREW PLUG	1		Z00010164420	M26X1,5	0,000		
---	0634.801.249		SEALING RING	1		Z00010164420	26X31	0,010		
700	1315.301.230		PROTECTION CAP	1				0,000		
720	0501.321.840		PLUG	1				0,000		
730	0501.321.840		PLUG	1				0,000		

Plant

Page 1 from 3

Material number: 1315.051.760
Plant: 068.02.54-1
INPUT SHAFT

16 S 151 /
CONNPLATE

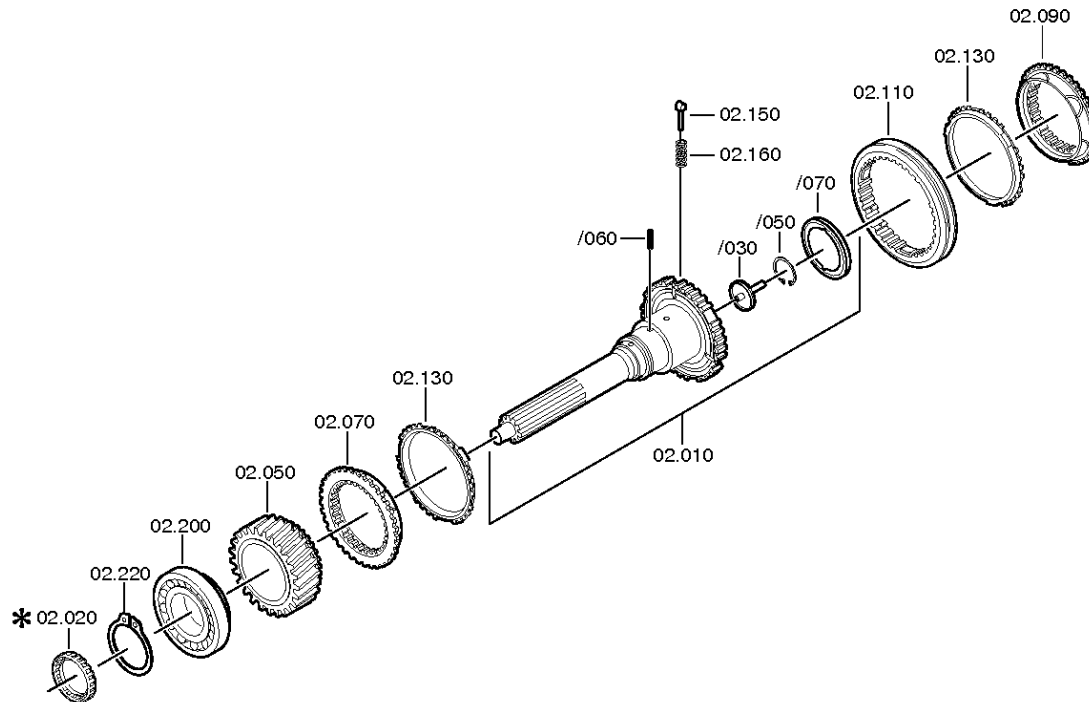


Plant

Page 2 from 3

Material number: 1315.051.760
Plant: 068.02.02-1
INPUT SHAFT

16 S 151 /
CONNPLATE

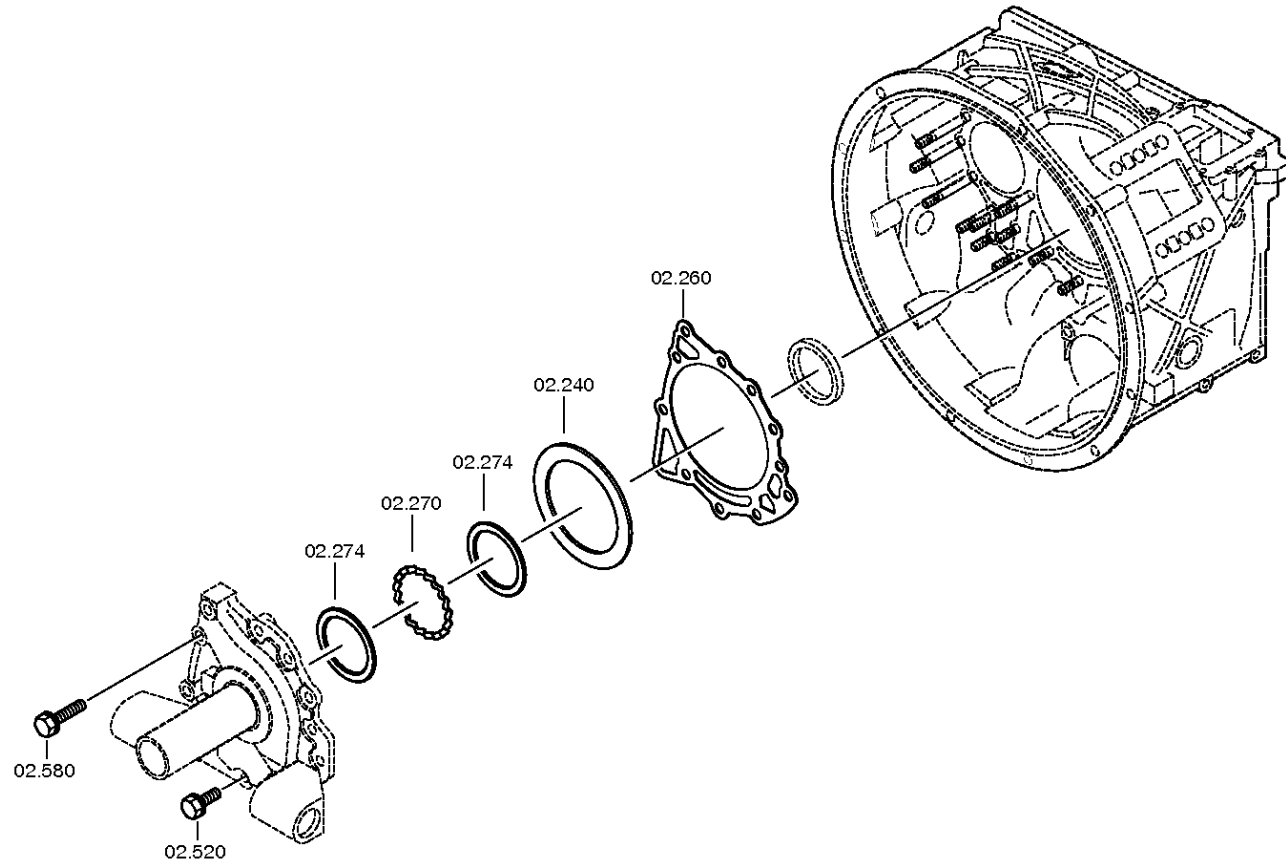


Plant

Page 3 from 3

Material number: 1315.051.760
Plant: 068.02.82-1
INPUT SHAFT

16 S 151 /
CONNPLATE



Parts list

Page 1 from 3

Material number: 1315.051.760

16 S 151 /

Plant: 068.02.54-1

Material-assembly-group-no: 1315.102.429



Pos.	Material number	Customer material	Name	Quantity	ME	Amend. no.	Techn. Info.	Weight	Rep kit	Alternative material
10	1315.202.037		INPUT SHAFT	1			KPL.L109*GL100*ZAPF.25	0,000		
/10	1355.302.002		INPUT SHAFT	1		Z00011537210		0,000		
/30	1354.302.019		PIPE	1		Z00003830511		0,000		
/50	0630.502.027		RETAINING RING	1			50X2	8		
/70	0750.101.179		OIL DAM	1		Z00007187910	77,0X95,5X6,0	0,000		
50	1315.302.158		HELICAL GEAR	1			Z35 IN 1315 302 156(1)	0,000		
70	1312.304.027	81.32425-0092	CLUTCH BODY	1			ENTHALT.IN 1310 304 107(1)	0,000		
90	1312.304.027	81.32425-0092	CLUTCH BODY	1		C01004680D10	ENTHALT.IN 1310 304 107(1)	0,000		
110	1310.304.202	5 5321 0	SLIDING SLEEVE	1		C01005378A10		0,000		
130	1297.304.484	81.32420-0230	SYNCHRONING	2				0,000		
150	1297.304.436		PRESSURE PIECE	3				0,004		
160	0732.040.409		COMPRSPRING	3		C01007317F10		0,002		
200	0750.117.732	5 8301 0	TAROLLEBEARING	1			85,0X150,0X30,5	0,000		
220	0730.501.598		RETAINING RING	1		C01007992110	85X4	0,000		
240	---		SHIM	1			H= 0,90- 2,40(ABSTUFUNG:0,05MM)	0,000		
---	2050.309.094		SHIM	1				0,000		
---	0730.007.489		SHIM	1			A=2,15 IN 2050 309 090(2)	0,000		
---	0730.007.488		SHIM	1			A=2,10 IN 2050 309 090(2)	0,000		
---	0730.007.487		SHIM	1			A=2,05 IN 2050 309 090(2)	0,000		
---	0730.007.486		SHIM	1			A=2,00 IN 2050 309 090(2)	0,000		
---	0730.007.485		SHIM	1			A=1,95 IN 2050 309 090(2)	0,000		
---	0730.007.484		SHIM	1			A=1,90 IN 2050 309 090(2)	0,000		
---	0730.007.483		SHIM	1			A=1,85 IN 2050 309 090(2)	0,000		

Parts list

Page 2 from 3

Material number: 1315.051.760

16 S 151 /

Plant: 068.02.54-1

Material-assembly-group-no: 1315.102.429



Pos.	Material number	Customer material	Name	Quantity	ME	Amend. no.	Techn. Info.	Weight	Rep kit	Alternative material
---	0730.007.482		SHIM	1			A=1,80 IN 2050 309 090(2)	0,000		
---	0730.007.481		SHIM	1			A=1,75 IN 2050 309 090(2)	0,000		
---	0730.007.480	1833896	SHIM	1			A=1,70 IN 2050 309 090(2)	0,000		
---	0730.007.479		SHIM	1			A=1,65 IN 2050 309 090(2)	0,000		
---	0730.007.136		SHIM	1			A=1,60 IN 2050 309 090(2)	0,000		
---	0730.007.135		SHIM	1			A=1,55 IN 2050 309 090(2)	0,000		
---	0730.007.134		SHIM	1			A=1,50 IN 2050 309 090(2)	0,000		
---	0730.007.133		SHIM	1			A=1,45 IN 2050 309 090(2)	0,000		
---	0730.007.132		SHIM	1			A=1,40 IN 2050 309 090(2)	0,000		
---	0730.007.131		SHIM	1			A=1,35 IN 2050 309 090(2)	0,000		
---	0730.007.130		SHIM	1			A=1,30 IN 2050 309 090(2)	0,000		
---	0730.007.129		SHIM	1			A=1,25 IN 2050 309 090(2)	0,000		
---	2050.309.034		SHIM	1				0,000		
---	0730.007.128		SHIM	1			A=1,15 IN 2050 309 090(2)	0,000		
---	0730.007.127		SHIM	1			A=1,10 IN 2050 309 090(2)	0,000		
---	0730.007.126		SHIM	1			A=1,05 IN 2050 309 090(2)	0,000		
---	2050.309.065		SHIM	1				0,000		
---	0730.005.749		SHIM	1			A=0,95 IN 2050 309 090(2)	0,000		

Parts list

Page 3 from 3

Material number: 1315.051.760

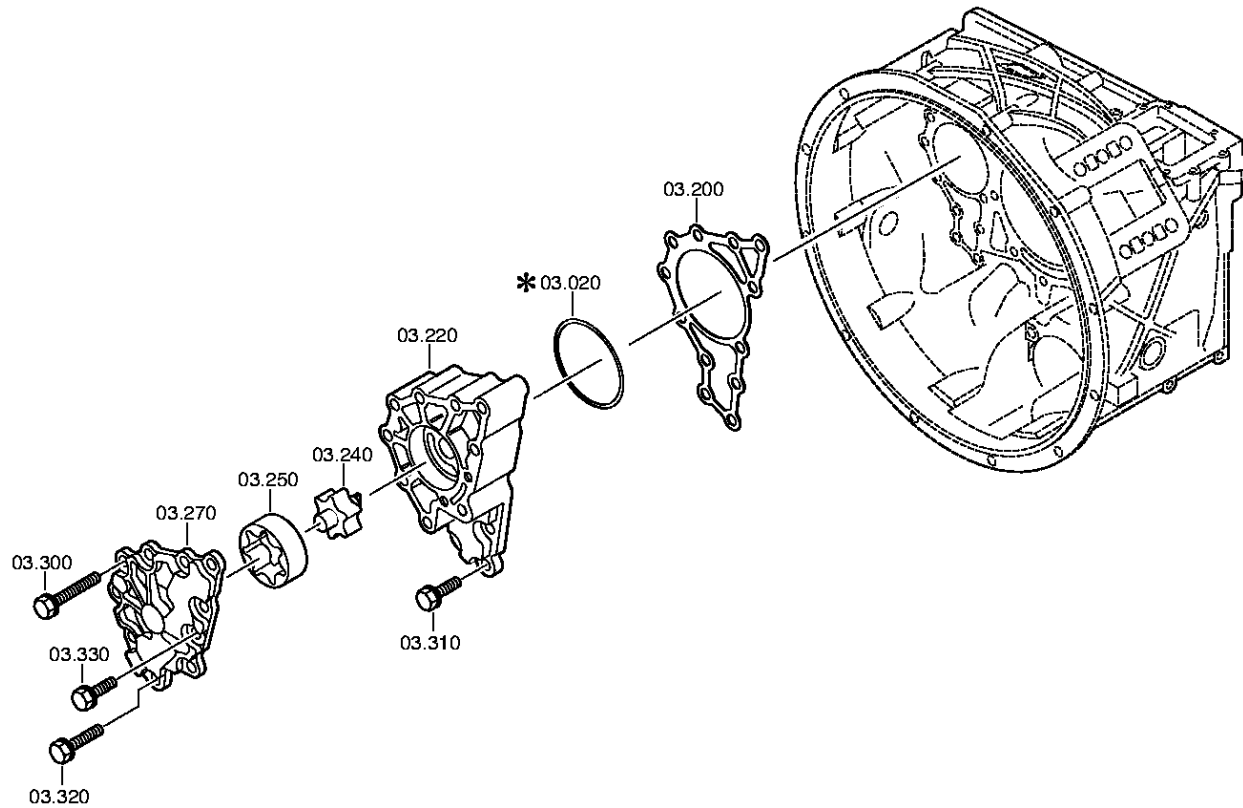
16 S 151 /

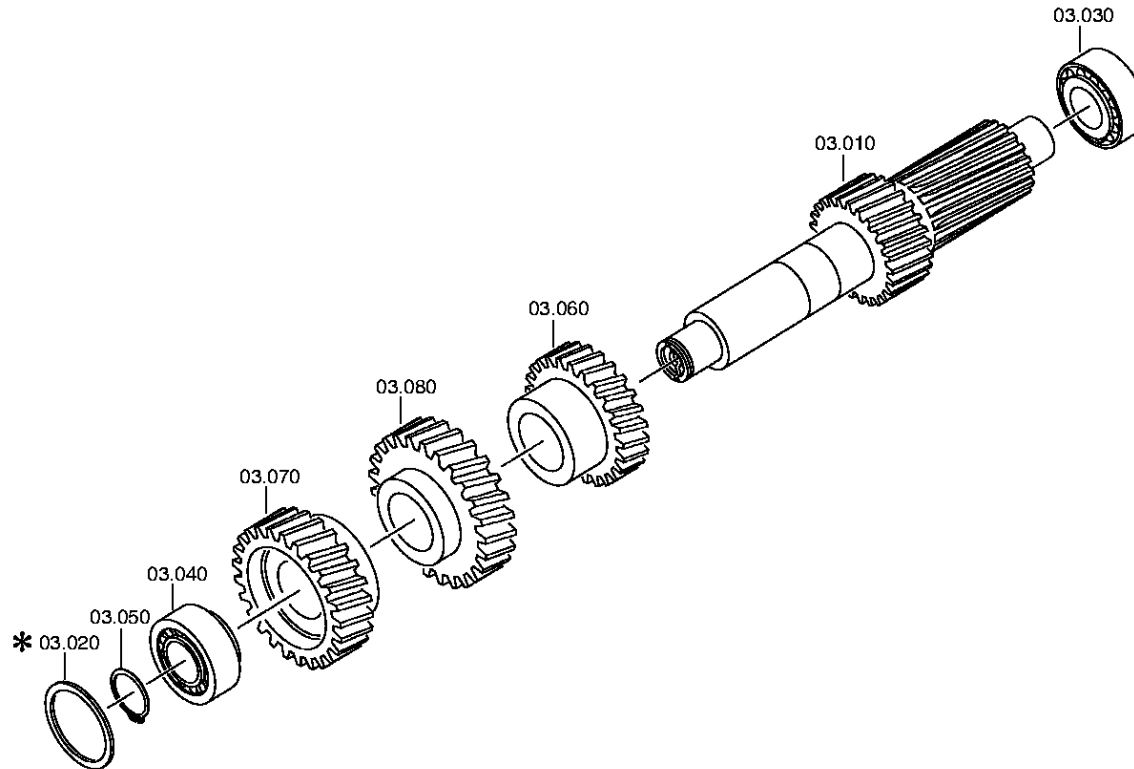
Plant: 068.02.54-1

Material-assembly-group-no: 1315.102.429



Pos.	Material number	Customer material	Name	Quantity	ME	Amend. no.	Techn. Info.	Weight	Rep kit	Alternative material
---	0730.005.748	5 5258 0	SHIM	1			A=0,90 IN 2050 309 090(2)	0,000		
---	0730.301.503		SHIM	1			h=2,25	0,000		
---	0730.301.504		SHIM	1			h=2,30	0,000		
---	0730.301.505		SHIM	1			h=2,35	0,000		
---	0730.301.506		SHIM	1			h=2,40	0,000		
260	0501.314.587	5 6095 0	GASKET	1				0,000		
270	1315.302.040		SPACER RING	1				0,000		
274	0730.150.766		WASHER	2				0,000		
280	1315.302.136	5 5335 0	CONNPLATE	1				0,000		
290	---		SHAFT SEAL	1		C01002111D10	75X55X8	0,000		
---	0734.310.387	5 8002 0	SHAFT SEAL	1			55X75X8/9,2 FA.CFW	0,000		
520	0636.015.685		HEXAGON BOLT	8		Z00009177310	M10X35	0,000		
580	0636.102.270	0636 102 270 01	HEXAGON BOLT	3		Z00009177410	M10X60	0,000		





Parts list

Page 1 from 3

Material number: 1315.051.760

16 S 151 /

Plant: 068.03.80-1

Material-assembly-group-no: 1316.103.803



Pos.	Material number	Customer material	Name	Quantity	ME	Amend. no.	Techn. Info.	Weight	Rep kit	Alternative material
10	1315.303.063		LAYSHAFT	1				0,000		
20	---		SHIM	1			H= 1,85- 3,25(ABSTUFUNG:0,05MM)	0,000		
---	0730.112.938		SHIM	1		C01007375C10	A=3,25	0,000		
---	0730.112.937		SHIM	1		C01007375C10	A=3,20	0,000		
---	0730.112.936		SHIM	1		C01007375C10	A=3,15	0,000		
---	0730.112.935		SHIM	1		C01007375C10	A=3,10	0,000		
---	0730.106.860		SHIM	1		C01007375C10	A=3,05 IN 0730 106 904(2)	0,000		
---	0730.106.917		SHIM	1			A=3,00 IN 0730 106 904(2)	0,000		
---	0730.106.916	1833921	SHIM	1			A=2,95 IN 0730 106 904(2)	0,000		
---	0730.106.915	1833920	SHIM	1			A=2,90 IN 0730 106 904(2)	0,000		
---	0730.106.914	1833919	SHIM	1			A=2,85 IN 0730 106 904(2)	0,000		
---	0730.106.913	1833918	SHIM	1			A=2,80 IN 0730 106 904(2)	0,000		
---	0730.106.912		SHIM	1			A=2,75 IN 0730 106 904(2)	0,000		
---	0730.106.911	1833917	SHIM	1			A=2,70 IN 0730 106 904(2)	0,000		
---	0730.106.910	1833916	SHIM	1			A=2,65 IN 0730 106 904(2)	0,000		
---	0730.106.909	1833915	SHIM	1			A=2,60 IN 0730 106 904(2)	0,000		
---	0730.106.908	1833914	SHIM	1			A=2,55 IN 0730 106 904(2)	0,000		
---	0730.100.799		SHIM	1			A=2,50 IN 0730 106 904(2)	0,000		
---	0730.100.800	1833898	SHIM	1			A=2,45 IN 0730 106 904(2)	0,000		
---	0730.100.801		SHIM	1			A=2,40 IN 0730 106 904(2)	0,000		

Parts list

Page 2 from 3

Material number: 1315.051.760

16 S 151 /

Plant: 068.03.80-1

Material-assembly-group-no: 1316.103.803



Pos.	Material number	Customer material	Name	Quantity	ME	Amend. no.	Techn. Info.	Weight	Rep kit	Alternative material
---	0730.100.802	1833900	SHIM	1			A=2,35 IN 0730 106 904(2)	0,000		
---	0730.100.803	1833905	SHIM	1			A=2,30 IN 0730 106 904(2)	0,000		
---	0730.101.466		SHIM	1			A=2,25 IN 0730 106 904(2)	0,000		
---	0730.101.467	1833906	SHIM	1			A=2,20 IN 0730 106 904(2)	0,000		
---	0730.101.468	1833907	SHIM	1			A=2,15 IN 0730 106 904(2)	0,000		
---	0730.101.469	1833909	SHIM	1			A=2,10 IN 0730 106 904(2)	0,000		
---	0730.101.470	1833910	SHIM	1			A=2,05 IN 0730 106 904(2)	0,000		
---	0730.101.471		SHIM	1			A=2,00 IN 0730 106 904(2)	0,000		
---	0730.106.907	1833912	SHIM	1			A=1,95 IN 0730 106 904(2)	0,000		
---	0730.106.906	1833911	SHIM	1			A=1,90 IN 0730 106 904(2)	0,000		
---	0730.106.905		SHIM	1			A=1,85 IN 0730 106 904(2)	0,000		
30	0750.117.009	8 8449 0	TAROLLBEARING	1			49,2X103,1X43,6	0,000		
40	0750.117.009	8 8449 0	TAROLLBEARING	1			49,2X103,1X43,6	0,000		
50	---		RETAINING RING	1			H= 2,40- 3,00(ABSTUFUNG:0,05MM)	0,000		
---	0630.531.065	8603574	RETAINING RING	1			50X3	16		
---	0630.501.111		RETAINING RING	1			50X2,95	0,000		
---	0630.501.112	0002640551	RETAINING RING	1			50X2,9	0,000		
---	0630.501.113		RETAINING RING	1			50X2,85	0,000		
---	0630.501.114	0002641451	RETAINING RING	1			50X2,8	0,000		
---	0630.501.115		RETAINING RING	1			50X2,75	0,000		
---	0630.501.116	0002641351	RETAINING RING	1			50X2,7	0,000		
---	0630.501.117		RETAINING RING	1			50X2,65	0,000		
---	0630.501.118	0002641251	RETAINING RING	1			50X2,6	0,000		

Parts list

Page 3 from 3

Material number: 1315.051.760

16 S 151 /

Plant: 068.03.80-1

Material-assembly-group-no: 1316.103.803



Pos.	Material number	Customer material	Name	Quantity	ME	Amend. no.	Techn. Info.	Weight	Rep kit	Alternative material
---	0630.501.160		RETAINING RING	1			50X2,55	0,000		
---	0630.531.064	1663657	RETAINING RING	1			50X2,5	0,100		
---	0630.501.159		RETAINING RING	1			50X2,45	0,000		
---	0630.501.148	0002641051	RETAINING RING	1			50X2,4	0,000		
60	1315.303.004		HELICAL GEAR	1				0,000		
70	1315.303.064		HELICAL GEAR	1			KON 1	0,000		
80	1315.303.050		HELICAL GEAR	1			ENTHALT.IN 1315 303 015(2)	0,000		
200	1315.303.060		GASKET	1		C01005349C10		0,000		
220	---		PUMP HOUSING	1			GD*GSLS	0,000		
---	1315.302.121	5 5355 0	PUMP HOUSING	1				0,000		
---	1315.302.117		PUMP HOUSING	1				0,000		
240	1314.202.039	5 5842 0	PUMP SHAFT	1			KPL.	0,000		
250	1315.303.027	5 5857 0	ROTOR	1				0,000		
270	---		PUMP COVER	1			GD*GSLS	0,000		
---	1315.302.120	5 5855 0	PUMP COVER	1				0,000		
---	1315.302.116		PUMP COVER	1				0,000		
300	0636.015.684		HEXAGON BOLT	8		Z00009177510	M10X85	0,000		
310	0636.015.685		HEXAGON BOLT	3		Z00009177310	M10X35	0,000		
320	0636.102.270	0636 102 270 01	HEXAGON BOLT	1		Z00009177410	M10X60	0,000		
330	0636.015.685		HEXAGON BOLT	2		Z00009177310	M10X35	0,000		

Plant

Page 1 from 1

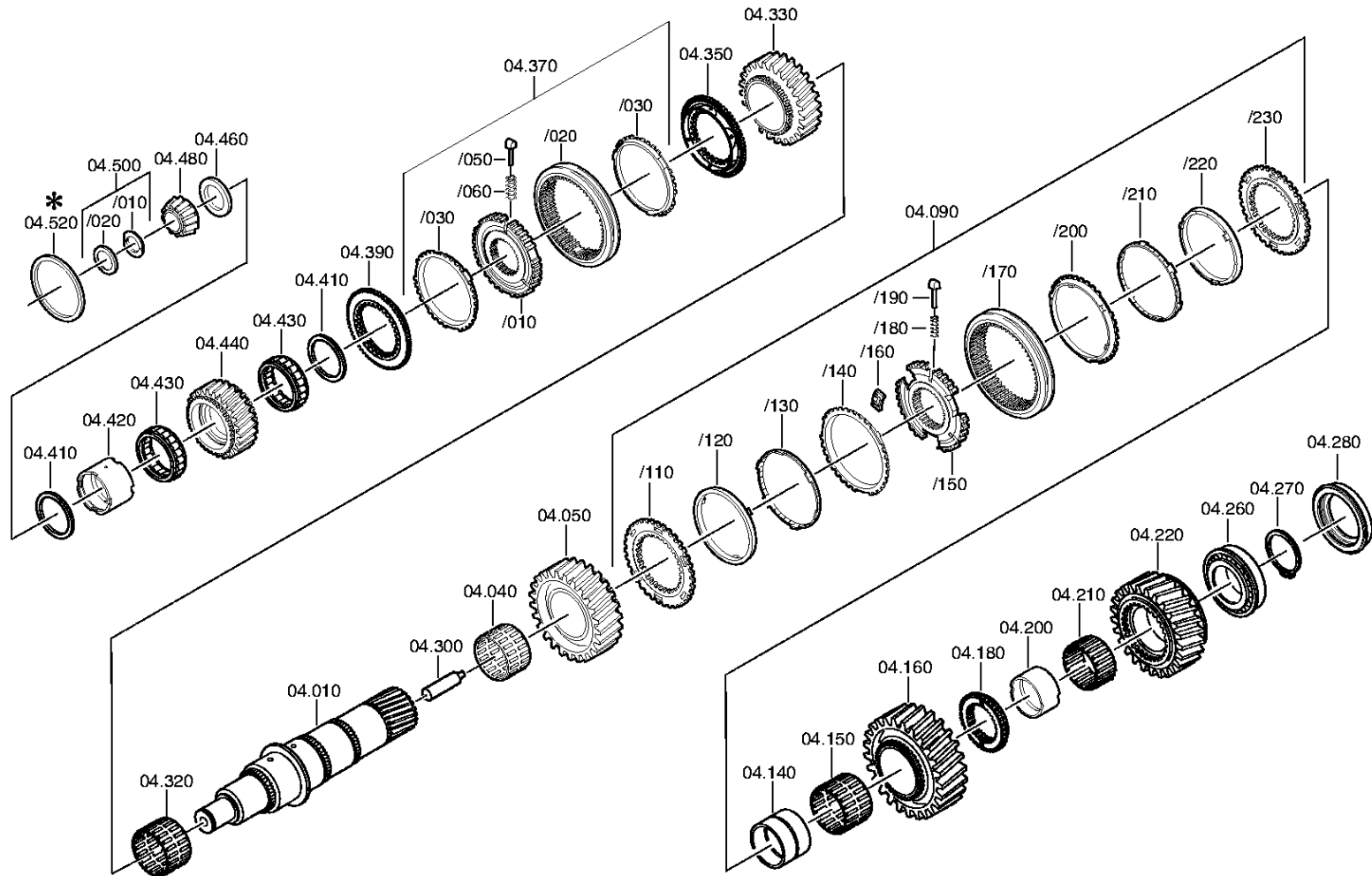
Material number: 1315.051.760

Plant: 068.04.12-1

Material-assembly-group-no: 1315.104.027

16 S 151 /

MAIN SHAFT



Parts list

Page 1 from 4

Material number: 1315.051.760

16 S 151 /

Plant: 068.04.12-1

Material-assembly-group-no: 1315.104.027



Pos.	Material number	Customer material	Name	Quantity	ME	Amend. no.	Techn. Info.	Weight	Rep kit	Alternative material
10	1315.304.131		MAIN SHAFT	1				0,000		
40	0750.115.584		NEEDLE CAGE	1			WTB 92,0X100,0X52,8	0,000		
50	1315.304.025		HELICAL GEAR	1			2G/Z38 IN 1315 304 033(1)	0,000		
90	1315.204.006		SYNCHRONIZER	1			KPL.1+2G*DK	0,000		
/110	1312.304.106	5 5328 0	CLUTCH DISC	1				0,000		
/120	1268.304.424	5 5280 0	INNER RING	1				0,000		
/130	1268.304.494	820-400-2510	INTERMRING	1			ENTHALT.IN 6002 306 153(0)	0,000		
/140	1268.304.525	5 5288 0	OUTER RING	1			ENTHALT.IN 1310 304 095(1)	0,000		
/150	1312.304.158		SYNCHROBODY	1			ZF-D171/164	0,000		
/160	1312.304.159		COUPLING ELEMENT	3		C01006893A10		0,030		
/170	1310.304.175	5 5320 0	SLIDING SLEEVE	1		C01007317F10		0,000		
/180	0732.040.409		COMPRSPRING	3				0,002		
/190	1297.304.436		PRESSURE PIECE	3				0,004		
/200	1268.304.525	5 5288 0	OUTER RING	1			ENTHALT.IN 1310 304 095(1)	0,000		
/210	1268.304.494	820-400-2510	INTERMRING	1			ENTHALT.IN 6002 306 153(0)	0,000		
/220	1268.304.424	5 5280 0	INNER RING	1				0,000		
/230	1312.304.106	5 5328 0	CLUTCH DISC	1				0,000		
140	1313.304.038	0069573	BUSH	1			ENTHALT.IN 1312 304 007(2)	0,000		
150	0750.115.325	8 8106 0	NEEDLE CAGE	1			96,0X104,0X55,0	0,000		
160	1315.304.004		HELICAL GEAR	1			1G/Z47 IN 1315 304 020(1)	0,000		
180	1315.304.018		CLUTCH BODY	1			RG	0,000		
200	1315.304.132		BUSH	1			A=41,00	0,000		
210	0750.115.324	5 8105 0	NEEDLE CAGE	1			90,0X98,0X41,0	0,000		
220	---		HELICAL GEAR	1				0,000		
---	1315.304.006		HELICAL GEAR	1			RG/Z44 IN 1315 304 019(0)	0,000		
---	1315.304.380		HELICAL GEAR	1				0,000		

Parts list

Page 2 from 4

Material number: 1315.051.760

16 S 151 /

Plant: 068.04.12-1

Material-assembly-group-no: 1315.104.027



Pos.	Material number	Customer material	Name	Quantity	ME	Amend. no.	Techn. Info.	Weight	Rep kit	Alternative material
260	0750.117.677	8 8346 0	TAROLLBEARING	1			80,0X130,0X36,0	0,000		
270	---		RETAINING RING	1			H= 3,00- 3,65(ABSTUFUNG:0,05MM)	0,000		
---	0630.501.316	820-400-2580	RETAINING RING	1			80X3,5	0,000		
---	0630.501.336	820-400-2581	RETAINING RING	1			80X3,45	0,000		
---	0630.501.315	820-400-2582	RETAINING RING	1			80X3,4	0,000		
---	0630.501.335	820-400-2583	RETAINING RING	1			80X3,35	0,000		
---	0630.501.314	820-400-2584	RETAINING RING	1			80X3,3	0,000		
---	0630.501.334	820-400-2585	RETAINING RING	1			80X3,25	0,000		
---	0630.501.313	820-400-2586	RETAINING RING	1			80X3,2	0,000		
---	0630.501.333	820-400-2587	RETAINING RING	1			80X3,15	0,000		
---	0630.501.312	820-400-2588	RETAINING RING	1			80X3,1	0,000		
---	0630.501.337	820-400-2589	RETAINING RING	1			80X3,55	0,000		
---	0630.501.338	820-400-2590	RETAINING RING	1			80X3,6	0,000		
---	0630.501.339	820-400-2591	RETAINING RING	1			80X3,65	0,000		
280	1315.332.073		PRESSURE DISC	1				0,000		
300	1312.304.150	5 5177 0	PIPE	1				0,000		
320	0750.115.584		NEEDLE CAGE	1			WTB 92,0X100,0X52,8	0,000		
330	1315.304.027		HELICAL GEAR	1			3G/Z34 IN 1315 304 034(1)	0,000		
350	1316.304.190		CLUTCH BODY	1		Z00006981311	ZF-BK 144 O	0,000		
370	1356.204.006		SYNCHRONIZER	1		Z00006981311	KPL.3+4G*BK144 MOLYBDAEN*ANSCHL. INTEGR VERST*ECOSPLIT 3+4	0,000		
/10	1356.304.019		SYNCHROBODY	1		Z00006981313		0,000		
/20	1356.304.023		SLIDING SLEEVE	1		Z00006981313	ZF-BK 144	0,000		
/30	1316.304.189	1832004	SYNCHRO RING	2		Z00006981313	ZF-BK 144	0,000		
/50	1297.304.436		PRESSURE PIECE	3		Z00006981313		0,004		
/60	0732.040.409		COMPRSPRING	3		Z00006981313		0,002		
390	1316.304.190		CLUTCH BODY	1		Z00006981311	ZF-BK 144 O	0,000		
410	0750.101.158		THRUST WASHER	2				0,000		
420	0750.119.125	5 8911 0	INNER RING	1			67,0X77,0X54,1	0,000		
430	0750.115.534	5 8909 0	ROLLER CAGE	2			77,0X101,0X29,0	0,000		

Parts list

Page 3 from 4

Material number: 1315.051.760

16 S 151 /

Plant: 068.04.12-1

Material-assembly-group-no: 1315.104.027



Pos.	Material number	Customer material	Name	Quantity	ME	Amend. no.	Techn. Info.	Weight	Rep kit	Alternative material
440	1315.304.089		HELICAL GEAR	1			ENTHALT.IN 1315 304 023(1)	0,000		
460	---		AXIAL WASHER	1			H= 7,30- 8,00(ABSTUFUNG:0,10MM)	0,000		
---	1315.304.048	5 5877 0	AXIAL WASHER	1			A=8,00 IN 1315 304 042(2)	0,000		
---	1315.304.047	5 5859 0	AXIAL WASHER	1			A=7,90 IN 1315 304 042(2)	0,000		
---	1315.304.046		AXIAL WASHER	1			A=7,80 IN 1315 304 042(2)	0,000		
---	1315.304.045	5 5858 0	AXIAL WASHER	1			A=7,70 IN 1315 304 042(2)	0,000		
---	1315.304.044		AXIAL WASHER	1			A=7,60 IN 1315 304 042(2)	0,000		
---	1315.304.043		AXIAL WASHER	1			A=7,50 IN 1315 304 042(2)	0,000		
---	1315.304.085		AXIAL WASHER	1			A=7,40 IN 1315 304 042(2)	0,000		
---	1315.304.086	1833949	AXIAL WASHER	1			A=7,30 IN 1315 304 042(2)	0,000		
480	0750.117.232	81.93501.0080	TAROLLBEARING	1			42,0X40,3	0,000		
500	1312.204.040		SPLIT RING	1			GESTANZT	0,000		
/10	---		SPLIT RING	2			H= 4,60- 5,00(ABSTUFUNG:0,10MM)	0,000		
---	0730.107.023	820-400-2660	SPLIT RING	2			A=5,00 IN 0730 106 207(2)	0,000		
---	0730.107.022	820-400-2661	SPLIT RING	2			A=4,90 IN 0730 106 207(2)	0,000		
---	0730.107.021	820-400-2662	SPLIT RING	2			A=4,80 IN 0730 106 207(2)	0,000		
---	0730.107.020	820-400-2663	SPLIT RING	2			A=4,70 IN 0730 106 207(2)	0,000		
---	0730.107.019	820-400-2664	SPLIT RING	2			A=4,60 IN 0730 106 207(2)	0,000		

Parts list

Page 4 from 4

Material number: 1315.051.760

16 S 151 /

Plant: 068.04.12-1

Material-assembly-group-no: 1315.104.027



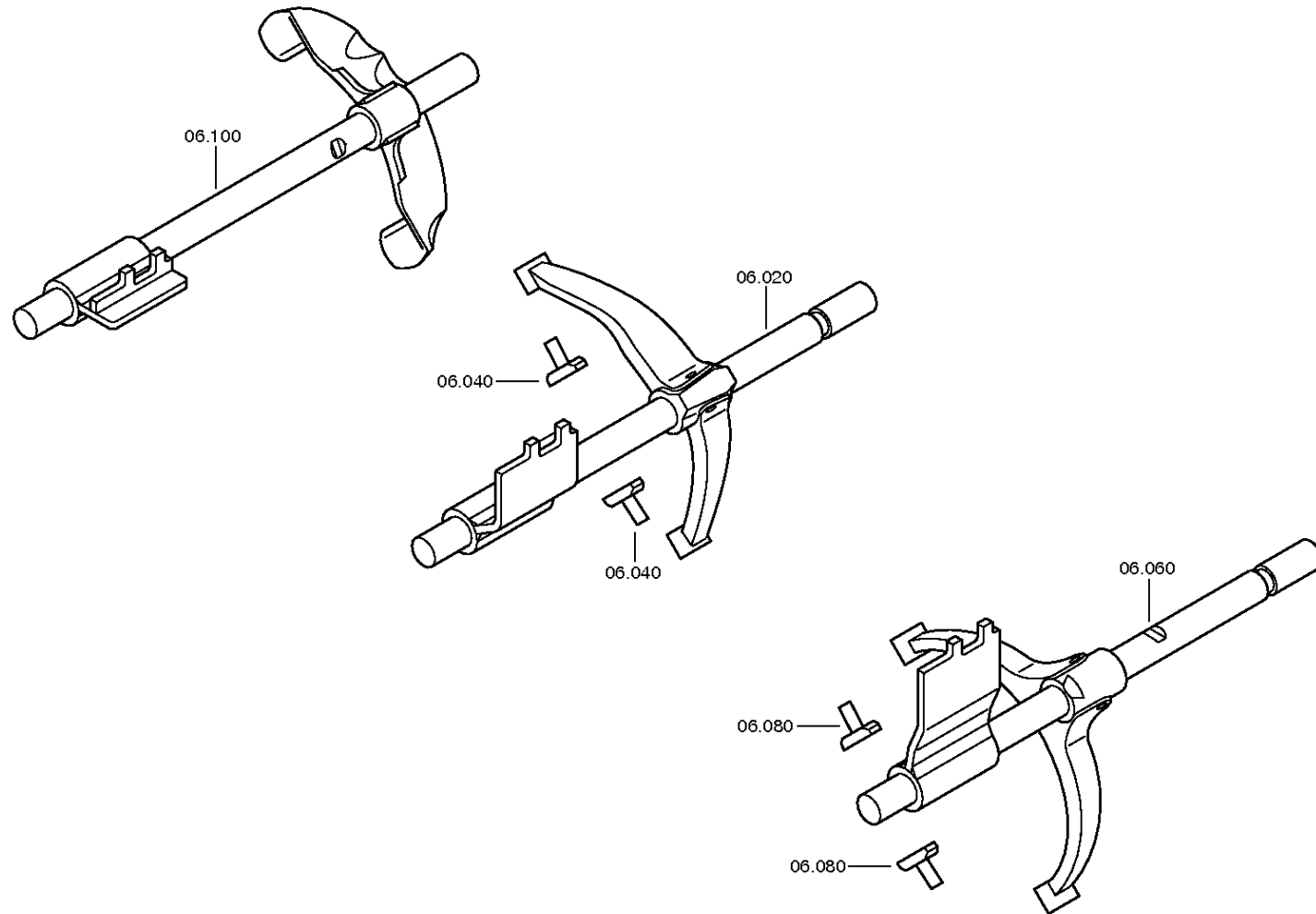
Pos.	Material number	Customer material	Name	Quantity	ME	Amend. no.	Techn. Info.	Weight	Rep kit	Alternative material
/20	0730.062.781	820-400-2670	RETAINING RING	1			ENTHALT.IN 0730 062 636(2)	0,000		

Plant

Page 1 from 3

Material number: 1315.051.760
Plant: 068.06.01-1
GEAR SHIFT SYSTEM

16 S 151 /
GEAR SHIFT SYSTEM

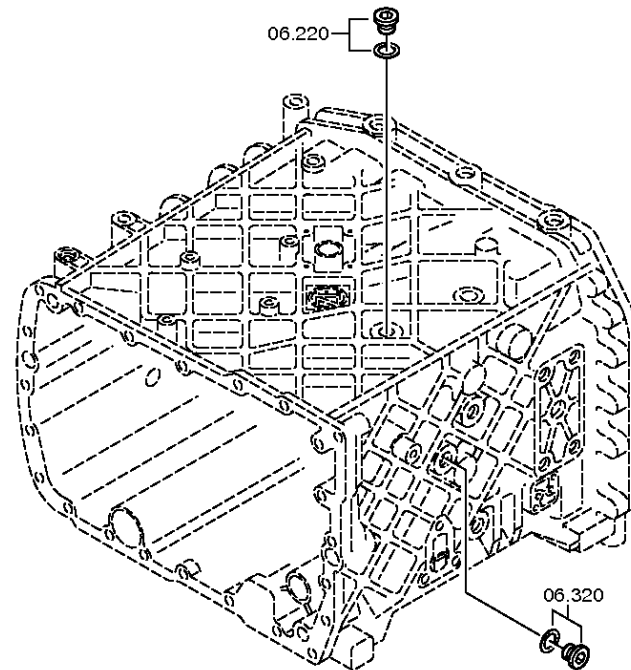


Plant

Page 2 from 3

Material number: 1315.051.760
Plant: 068.06.43-1
GEAR SHIFT SYSTEM

16 S 151 /
GEAR SHIFT SYSTEM

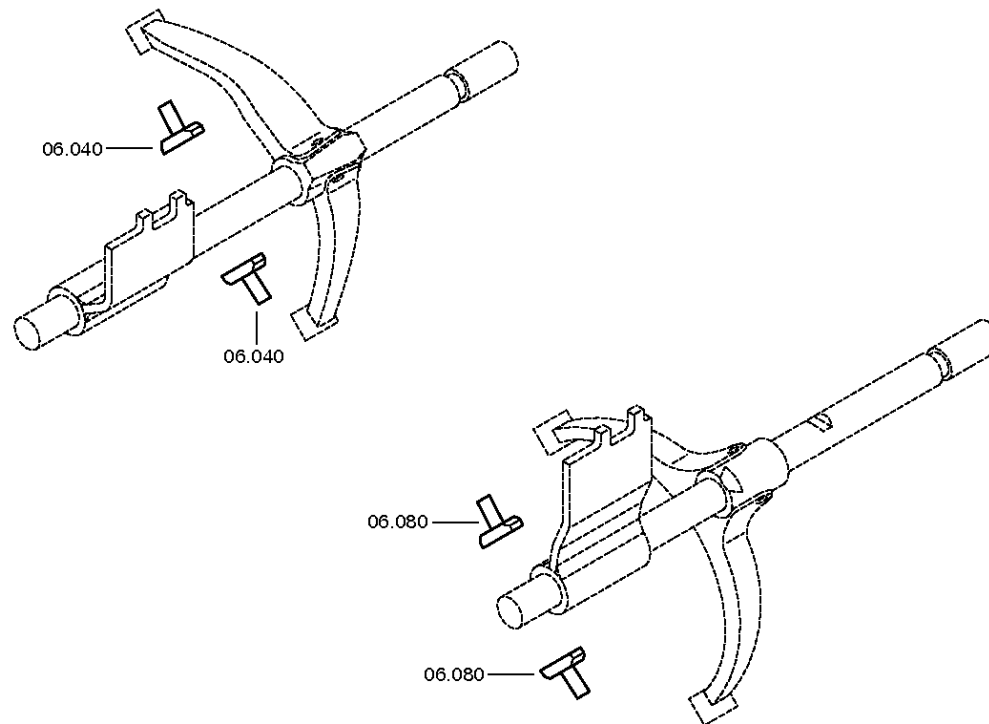


Plant

Page 3 from 3

Material number: 1315.051.760
Plant: 068.06.80-1
GEAR SHIFT SYSTEM

16 S 151 /
GEAR SHIFT SYSTEM



Parts list

Page 1 from 1

Material number: 1315.051.760

16 S 151 /

Plant: 068.06.01-1

Material-assembly-group-no: 1315.106.008



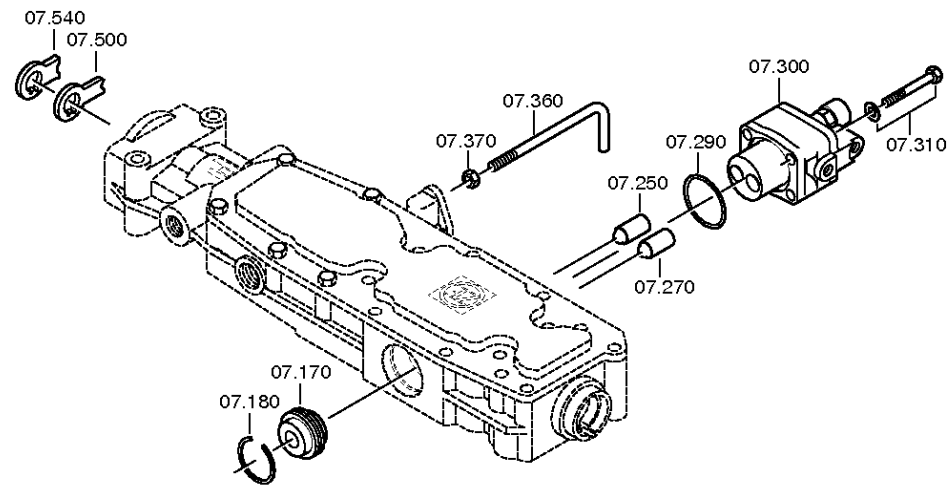
Pos.	Material number	Customer material	Name	Quantity	ME	Amend. no.	Techn. Info.	Weight	Rep kit	Alternative material
20	1315.206.076		GEAR SHIFT RAIL	1			1+2GANG*KURZ*WI	0,000		
40	1316.306.015	5 5342 0	SLIDING PAD	2				0,000		
60	1315.206.079		GEAR SHIFT RAIL	1			3+4GANG*KURZ*WI	0,000		
80	1316.306.015	5 5342 0	SLIDING PAD	2				0,000		
100	1315.206.083		GEAR SHIFT RAIL	1			R-GANG*KURZ*WI	0,000		
220	---		SCREW PLUG	1		Z00010111513	35N.M*DICHTRING M18X1,5	0,000		
---	0636.100.791		SCREW PLUG	1		Z00010111521	M18X1,5	0,000		
---	0634.801.062		SEALING RING	1		Z00010111521	18X24	0,001		
320	---		SCREW PLUG	1		Z00010111513	35N.M*DICHTRING M18X1,5	0,000		
---	0636.100.791		SCREW PLUG	1		Z00010111521	M18X1,5	0,000		
---	0634.801.062		SEALING RING	1		Z00010111521	18X24	0,001		

Plant

Page 1 from 3

Material number: 1315.051.760
Plant: 068.07.08-1
GEAR SHIFT SHAFT

16 S 151 /
GEAR SHIFT HOUSING

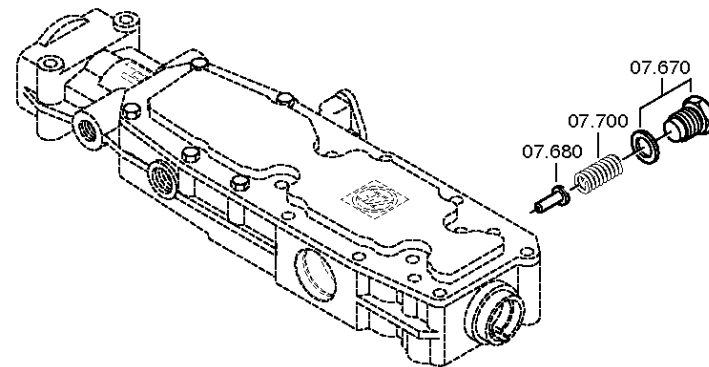


Plant

Page 2 from 3

Material number: 1315.051.760
Plant: 068.07.09-1
GEAR SHIFT SHAFT

16 S 151 /
GEAR SHIFT HOUSING

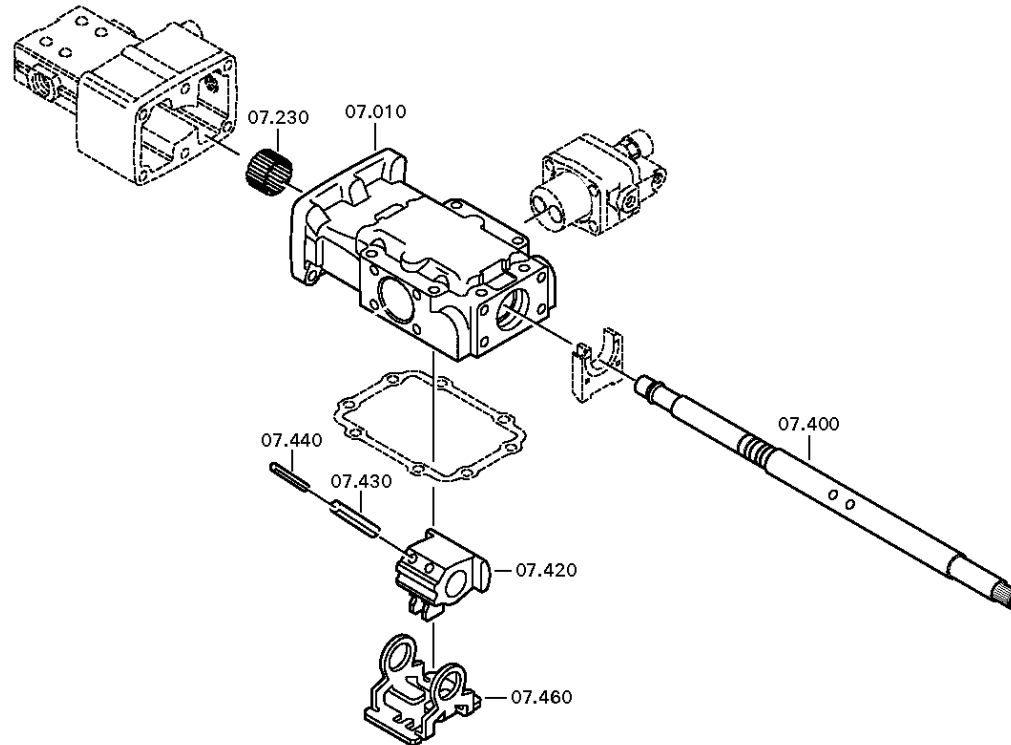


Plant

Page 3 from 3

Material number: 1315.051.760
Plant: 068.07.12-1
GEAR SHIFT SHAFT

16 S 151 /
GEAR SHIFT HOUSING



Parts list

Page 1 from 2

Material number: 1315.051.760

16 S 151 /

Plant: 068.07.08-1

Material-assembly-group-no: 1315.107.854



Pos.	Material number	Customer material	Name	Quantity	ME	Amend. no.	Techn. Info.	Weight	Rep kit	Alternative material
10	1315.307.123		GEAR SHIFT HOUSING	1			ENTHALT.IN 1315 307 122(0)	0,000		
20	1315.307.013	133-138-1020	GASKET	1				0,000		
30	0736.300.136		HEXAGON BOLT	8		Z00009195210	M8X75 M8X75	0,000		
170	0501.209.212	5 5247 0	DETENT	1		Z00013943010	KPL.	0,000		
180	0630.532.130		V-RING	1		Z00013943010		0,000		
230	0635.303.053		NEEDLE SLEEVE	1			25X32X20	120		
250	0501.209.188	5 6102 0	BALL ROLLER	1		Z00013943010	KPL.	0,000		
270	0501.209.188	5 6102 0	BALL ROLLER	1		Z00013943010	KPL.	0,000		
290	0634.313.505		O-RING	1		Z00013943010	42X3	0,000		
300	6038.202.043	5 6065 0	CUT-OFF VALVE	1		Z00013943010	KPL.H-H*ZULUFTDROSSEL 1,55	0,000		
310	---		HEXAGON BOLT	4		Z00007054112	M8X65	0,000		
---	0636.100.519		HEXAGON BOLT	4		Z00007054110	M8X65	0,000		
---	0630.100.295		WASHER	4		Z00007158414		0,000		
360	1316.307.431		BRACKET	1		Z00009440410		0,000		
370	0637.006.280		HEXAGON NUT	1		Z00013943010	M8	0,000		
400	1315.307.094	5 5866 0	GEAR SHIFT SHAFT	1			ENTHALT.IN 1315 307 157(1)	0,000		
420	---		DRIVER	1			W I	0,000		
---	1315.307.092		DRIVER	1				0,000		
430	0631.329.101		SLOTPIN	2			10X45	15		
440	0631.329.073		SLOTPIN	2			6X45	0,000		
460	1315.307.308		LOCKING PIECE	1				0,000		
500	1315.307.304		DETENT SHEET	1		Z00013943010		0,000		
540	1315.307.120		DETENT	1		Z00013943010		0,000		
600	---		PROTECTION CAP	1		Z00009174510		0,000		
---	1324.307.269		PROTECTION CAP	1		Z00009174510		0,000		
---	1324.307.268		PROTECTION CAP	1		Z00009174312		0,000		
620	6005.300.599		GEAR SHIFT LEVER	1			U428	0,000		
630	---		BOLT+NUT	1		Z00007891713	M10X40	0,000		
---	0636.100.789	REPLACEMENT FOR 0636.015.469	HEXAGON BOLT	1		Z00007891711	M10X40	0,000		
---	0637.100.419		HEXAGON NUT	1		Z00007892710	M10	0,000		

Parts list

Page 2 from 2

Material number: 1315.051.760

16 S 151 /

Plant: 068.07.08-1

Material-assembly-group-no: 1315.107.854



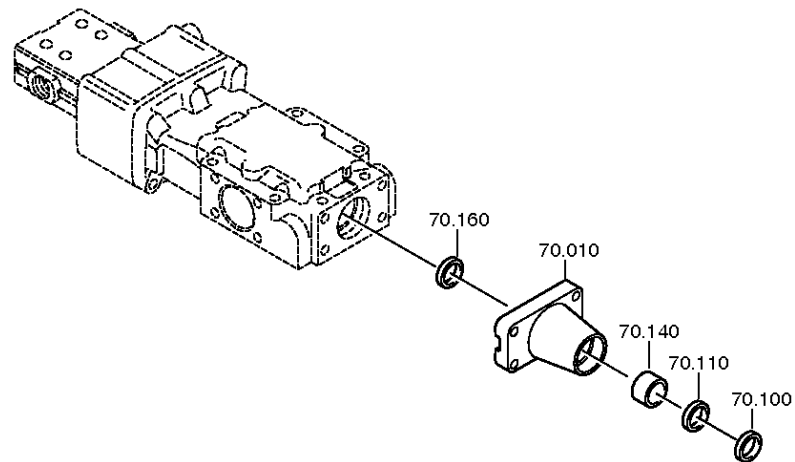
Pos.	Material number	Customer material	Name	Quantity	ME	Amend. no.	Techn. Info.	Weight	Rep kit	Alternative material
670	---		SCREW	1		Z00010146310	M22X1,5	0,000		
---	1315.307.736		SCREW	1		Z00010146312	M22X1,5	0,000		
---	0730.009.515		SEALING RING	1		Z00010146312	A22X27	0,000		
680	1315.307.190		BOLT	1			ENTHALT.IN 1250 307 589(2)	0,000		
700	0732.041.612		COMPRSPRING	1				0,000		

Plant

Page 1 from 3

Material number: 1315.051.760
Plant: 068.08.17-1
COVER

16 S 151 /
SHIFT TURRET



Plant

Page 2 from 3

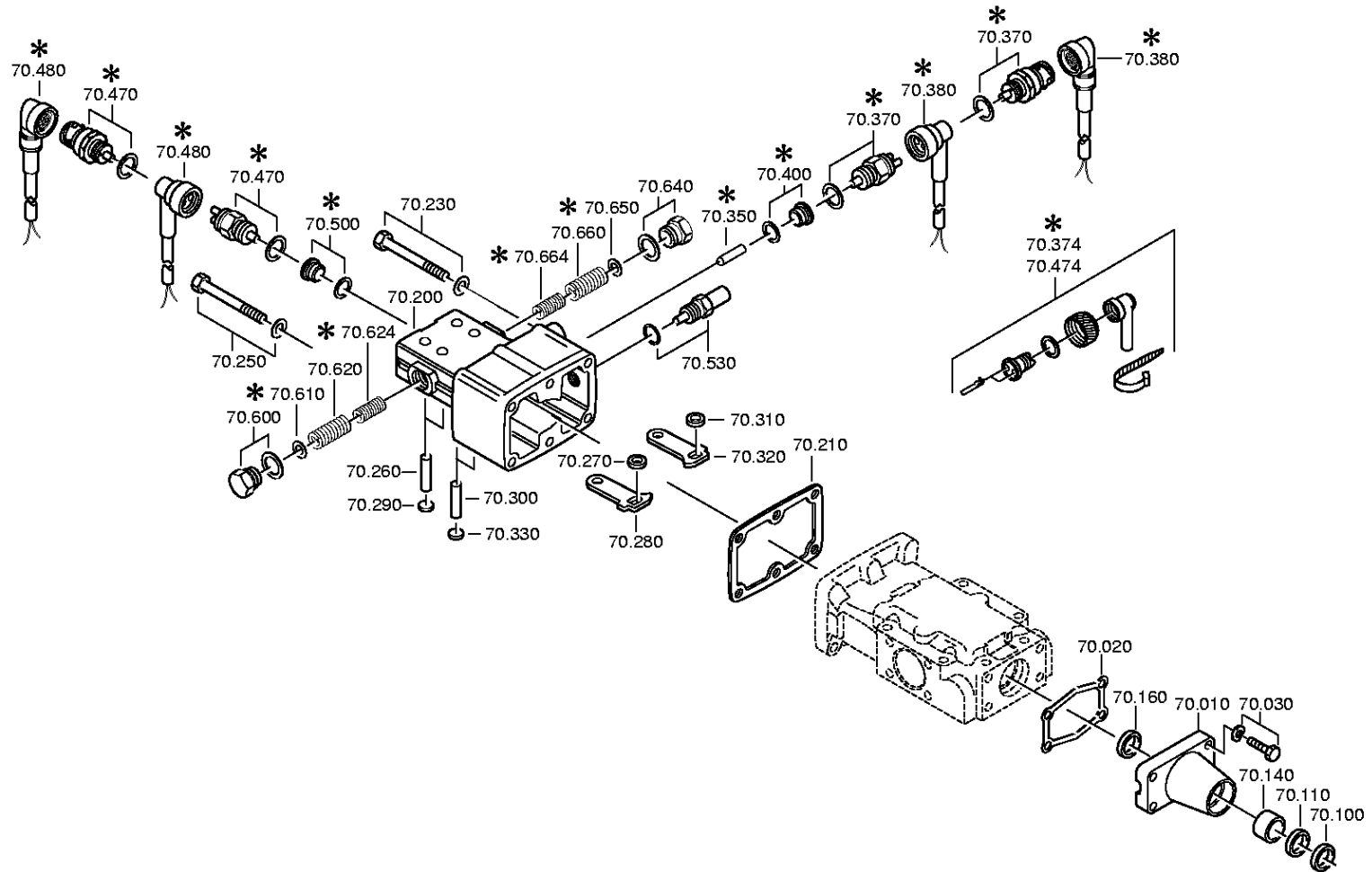
Material number: 1315.051.760

Plant: 068.08.06-1

COVER

16 S 151 /

SHIFT TURRET

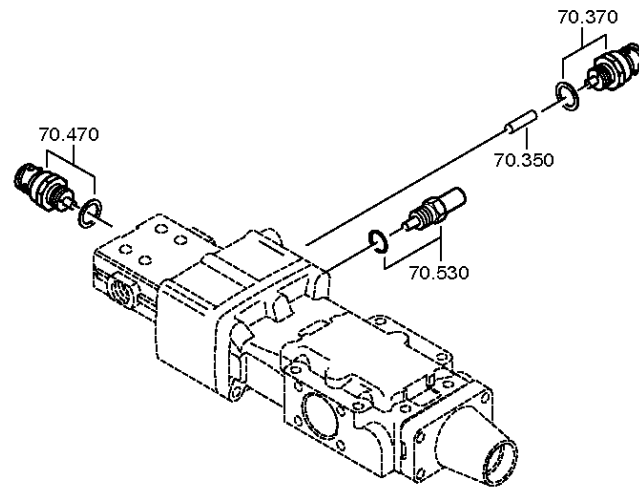


Plant

Page 3 from 3

Material number: 1315.051.760
Plant: 068.08.15-1
COVER

16 S 151 /
SHIFT TURRET



Parts list

Page 1 from 2

Material number: 1315.051.760

16 S 151 /

Plant: 068.08.17-1

Material-assembly-group-no: 1316.170.001



Pos.	Material number	Customer material	Name	Quantity	ME	Amend. no.	Techn. Info.	Weight	Rep kit	Alternative material
10	1304.307.425		GEAR SHIFT COVER	1				0,000		
20	0501.318.308		GASKET	1				0,000		
30	---		HEXAGON BOLT	4		Z00007891312	M8X30	0,000		
---	0636.100.797		HEXAGON BOLT	4		Z00007891310	M8X30	0,000		
---	0630.100.295		WASHER	4		Z00007158414		0,000		
100	0634.307.367		SCRAPER	1				0,009		
110	---		SHAFT SEAL	1		C01008933B10	25X35X7	0,000		
---	0734.300.196		SHAFT SEAL	1			25X35X7 FA.CFW	0,000		
140	0730.260.330	3120-12-177-0347	BEARING BUSH	1			A=20,00 IN 0730 260 546(2)	0,000		
160	0634.300.020	5330-12-183-7877	SHAFT SEAL	1			25X32X5	0,000		
200	1315.307.140		HOUSING	1			GASSEN-SPERRE	0,000		
210	1315.307.012		GASKET	1				0,000		
230	---		HEXAGON BOLT	3		Z00007069014	M8X85	0,000		
---	0636.011.764		HEXAGON BOLT	3		Z00007069013	M8X85	0,000		
---	0630.100.295		WASHER	3		Z00007158414		0,000		
250	---		HEXAGON BOLT	3		Z00007069014	M8X85	0,000		
---	0636.011.764		HEXAGON BOLT	3		Z00007069013	M8X85	0,000		
---	0630.100.295		WASHER	3		Z00007158414		0,000		
260	0631.306.226		CYLINDRICAL PIN	2			6X32	0,000		
270	0730.006.347	S301607	RING	1			A=6,00	5		
280	1304.307.019		DETENT LEVER	1				0,000		
290	---		SEALING CAP	2			14	0,000		
---	0630.361.032		SEALING CAP	2				2,100		
300	0631.306.226		CYLINDRICAL PIN	2			6X32	0,000		
310	0730.006.347	S301607	RING	1			A=6,00	5		
320	1304.307.019		DETENT LEVER	1				0,000		
330	---		SEALING CAP	2			14	0,000		
---	0630.361.032		SEALING CAP	2				2,100		
350	0731.208.230		PIN	1			A=30,0	0,000		
370	---		SWITCH	1		Z00004287211	OEFF*45N.M*DICHTRING* BAJONETT*SCHUTZKAPPE	0,000		
---	0501.219.856		SWITCH	1			OEFFNER DIN BAJONETT	0,000		
---	0634.801.062		SEALING RING	1			18X24	0,001		

Parts list

Page 2 from 2

Material number: 1315.051.760

16 S 151 /

Plant: 068.08.17-1

Material-assembly-group-no: 1316.170.001



Pos.	Material number	Customer material	Name	Quantity	ME	Amend. no.	Techn. Info.	Weight	Rep kit	Alternative material
470	---		SWITCH	1		Z00004287211	SCHL*45N.M*DICHTRING* BAJONETT*SCHUTZKAPPE	0,000		
---	0501.210.058	5 6104 0	SWITCH	1			KPL.	0,000		
---	0634.801.062		SEALING RING	1			18X24	0,001		
530	---		DETENT PLUNGER	1			168N*50N.M*WL	0,000		
---	1324.207.004	1882876	DETENT PLUNGER	1		Z00009531710	KPL. *168 N	0,000		
---	0630.000.072	1000000168	SHIM RING	1			16X22X1	0,010		
600	---		SCREW	1		Z00010146310	M22X1,5	0,000		
---	1315.307.736		SCREW	1		Z00010146312	M22X1,5	0,000		
---	0730.009.515		SEALING RING	1		Z00010146312	A22X27	0,000		
620	0732.041.612		COMPRSPRING	1				0,000		
640	---		SCREW	1		Z00010146310	M22X1,5	0,000		
---	1315.307.736		SCREW	1		Z00010146312	M22X1,5	0,000		
---	0730.009.515		SEALING RING	1		Z00010146312	A22X27	0,000		
660	0732.041.612		COMPRSPRING	1				0,000		

Plant

Page 1 from 1

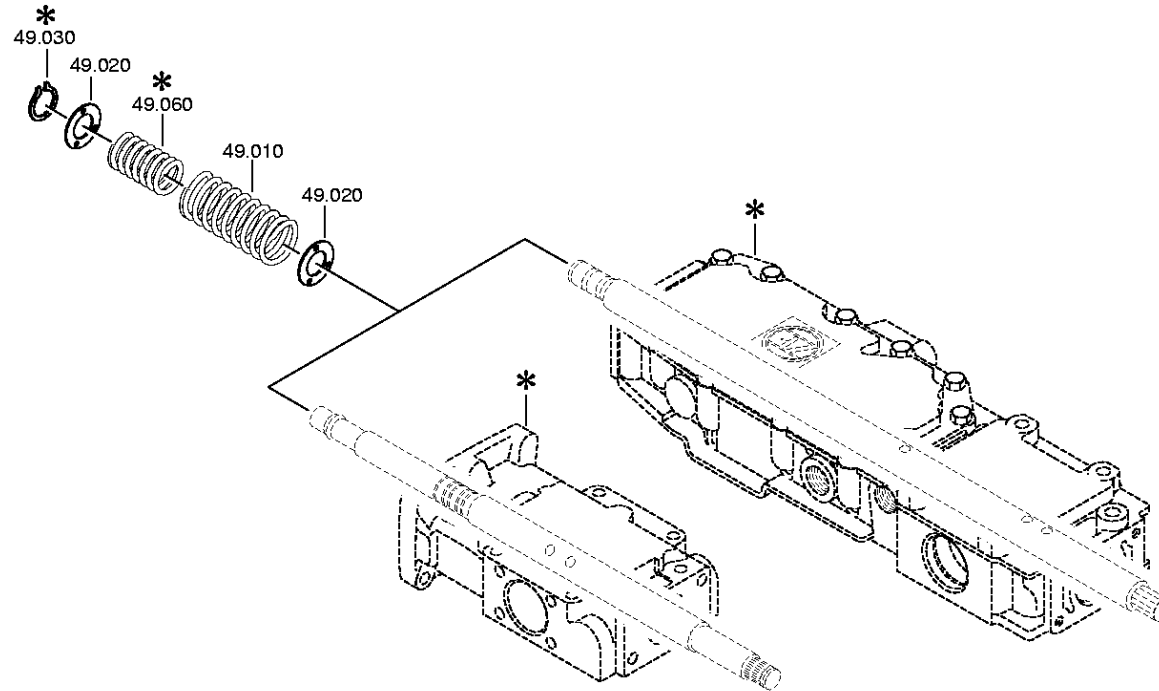
Material number: 1315.051.760

Plant: 068.12.01-1

Material-assembly-group-no: 1316.149.007

16 S 151 /

SET OF SPRINGS



Parts list

Page 1 from 1

Material number: 1315.051.760

16 S 151 /

Plant: 068.12.01-1

Material-assembly-group-no: 1316.149.007



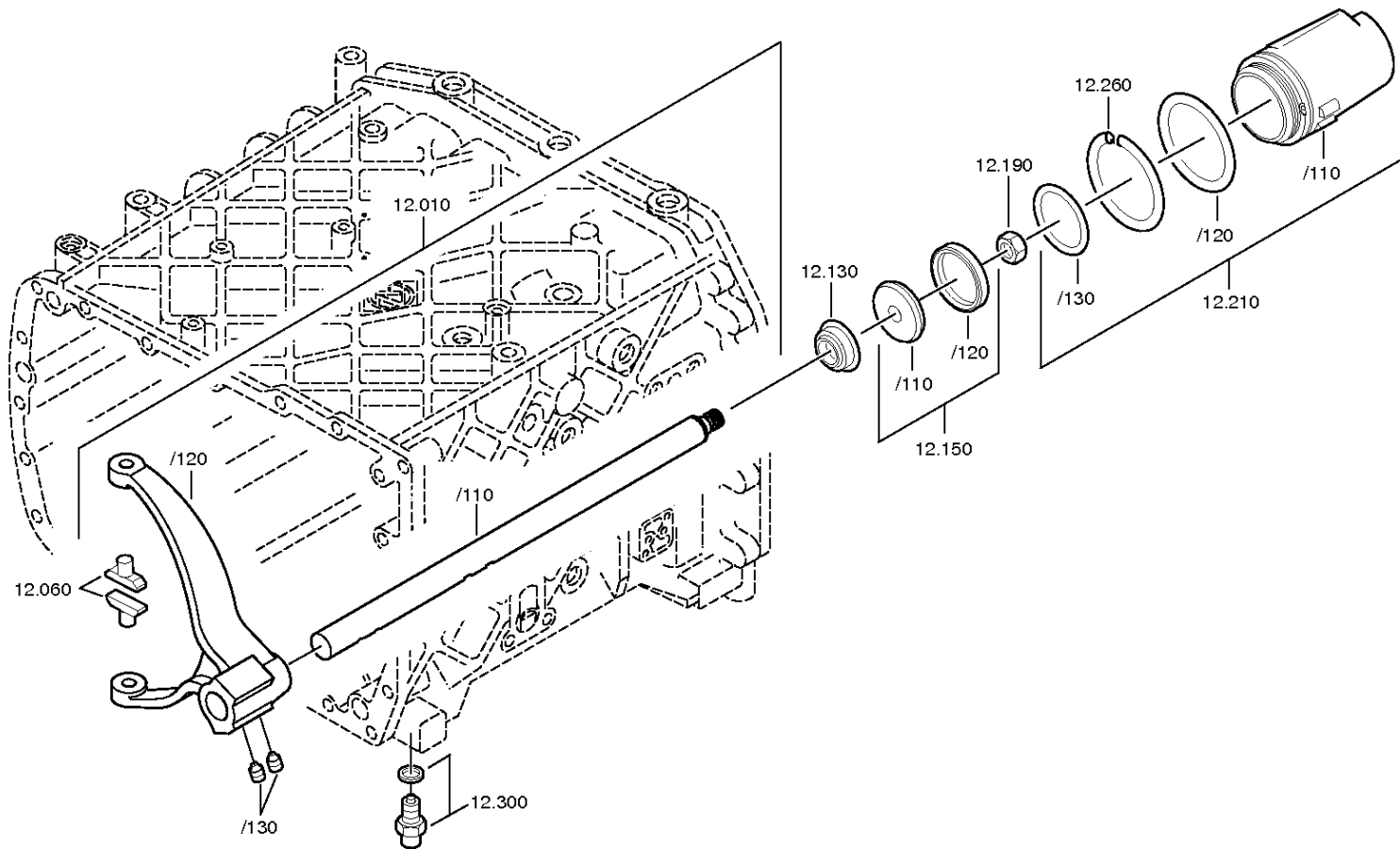
Pos.	Material number	Customer material	Name	Quantity	ME	Amend. no.	Techn. Info.	Weight	Rep kit	Alternative material
10	0732.040.237	5360-12-159-8049	COMPRSPRING	1				30		
20	0730.301.376	1884285	WASHER	2		Z00008917410		0,000		
30	0630.532.138	5004143	V-RING	1				0,000		

Plant

Page 1 from 2

Material number: 1315.051.760
Plant: 068.40.04-1
GV-SHIFT SYSTEM

16 S 151 /
GV-SHIFT SYSTEM

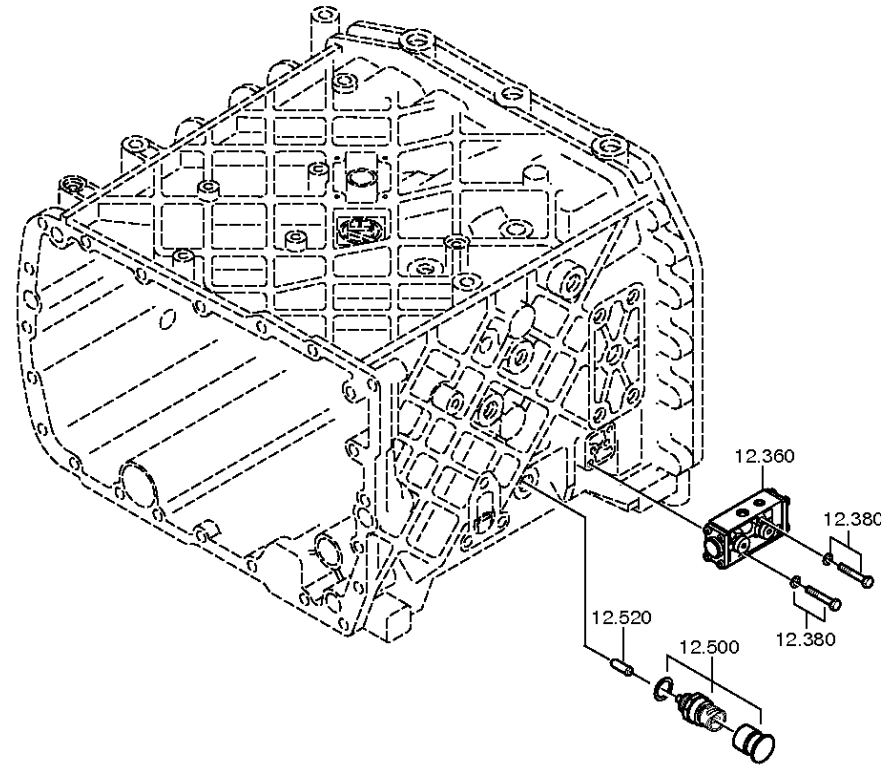


Plant

Page 2 from 2

Material number: 1315.051.760
Plant: 068.40.41-1
GV-SHIFT SYSTEM

16 S 151 /
GV-SHIFT SYSTEM



Parts list

Page 1 from 1

Material number: 1315.051.760

16 S 151 /

Plant: 068.40.04-1

Material-assembly-group-no: 1315.112.014



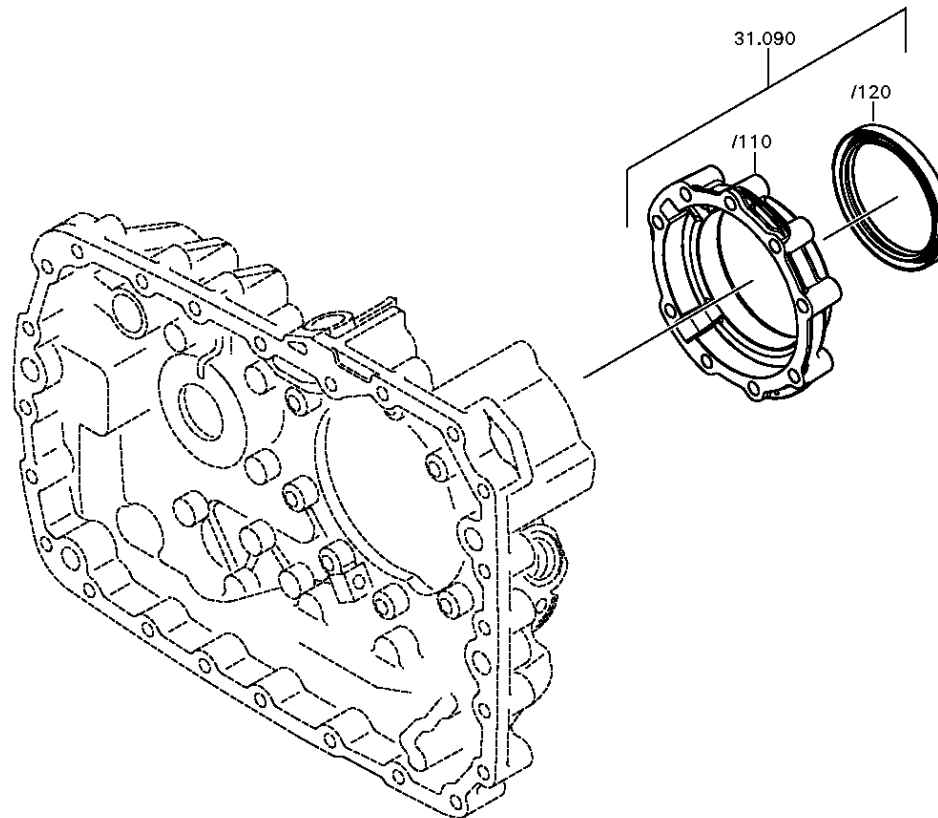
Pos.	Material number	Customer material	Name	Quantity	ME	Amend. no.	Techn. Info.	Weight	Rep kit	Alternative material
10	1315.212.013		GEAR SHIFT RAIL	1			KPL.GV.LAG.GEH.1	0,000		
/110	1315.312.073		GEAR SHIFT RAIL	1				0,000		
/120	1315.312.074		GEAR SHIFT FORK	1			GV ECO 3	0,000		
/130	1315.312.047	42172912	SET SCREW	2			M12X1	0,000		
60	1316.306.015	5 5342 0	SLIDING PAD	2				0,000		
130	0750.112.131	8 8342 0	FLANGE PACKING	1		Z00003588010	25X40X15	0,000		
150	1315.212.008	1831971	PISTON	1			KPL.	0,000		
/110	---		PISTON	1			GV SINTER/STAHL	0,000		
---	1315.312.020		PISTON	1			GV	0,000		
---	1315.312.003		PISTON	1			GV	0,000		
/120	0750.112.177	8 8697 0	DOUBLE U-PACKING	1			55X63X9,4	0,000		
190	0737.300.037		LOCKING NUT	1			MS16X1,5	0,000		
210	1315.212.010		CYLINDER	1			KPL.	0,000		
/110	1315.312.048	5 5336 0	CYLINDER	1			ENTHALT.IN 1315 312 033(1)	0,000		
/120	0634.313.018		O-RING	1			82X3	0,000		
/130	0634.313.320	8 8327 0	O-RING	1			67X3	0,003		
260	1315.312.034		SPRING	1				0,000		
300	---		DETENT PLUNGER	1			235N*50N.M	0,000		
---	1324.207.033	1878700	DETENT PLUNGER	1			KPL. *235 N	0,000		
---	0730.008.604		SEALING RING	1		C01009860C10		0,000		
360	0501.219.310		5/2 WAY VALVE	1		Z00015060511		0,000		
380	---		HEXAGON BOLT	2			M6X40	0,000		
---	0636.010.740		HEXAGON BOLT	2			M6X40	0,000		
---	0630.001.139	S0643476	WASHER	2		Z00007164311		0,000		
500	---		SWITCH	1		Z00004287211	OEFF*45N.M*DICHTRING* BAJONETT*SCHUTZKAPPE	0,000		
---	0501.219.856		SWITCH	1			OEFFNER DIN BAJONETT	0,000		
---	0634.801.062		SEALING RING	1			18X24	0,001		
520	1295.212.006		PIN	1			KPL.	0,000		

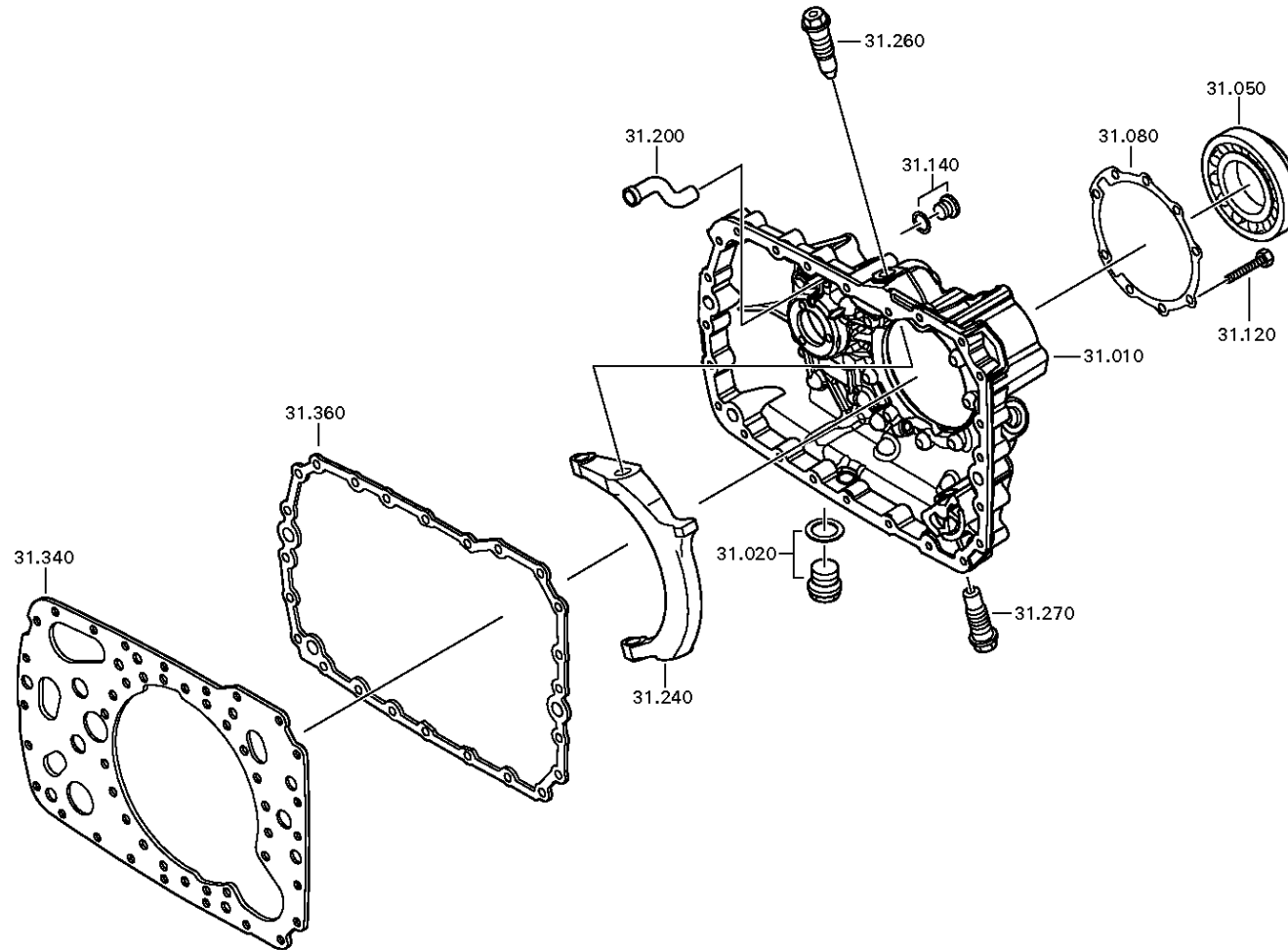
Plant

Page 1 from 5

Material number: 1315.051.760
Plant: 068.43.21-1
GP HOUSING

16 S 151 /
COVER



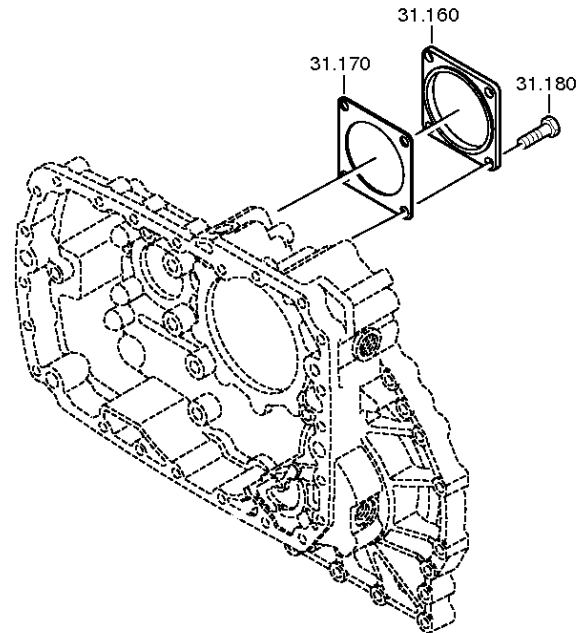


Plant

Page 3 from 5

Material number: 1315.051.760
Plant: 068.43.40-1
GP HOUSING

16 S 151 /
COVER

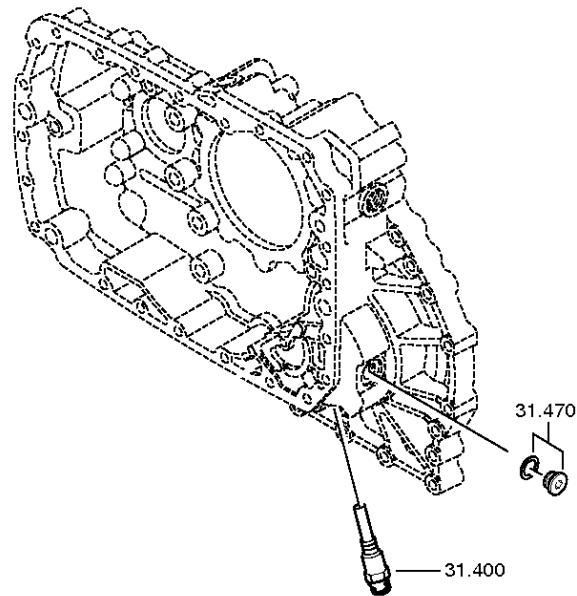


Plant

Page 4 from 5

Material number: 1315.051.760
Plant: 068.43.41-1
GP HOUSING

16 S 151 /
COVER

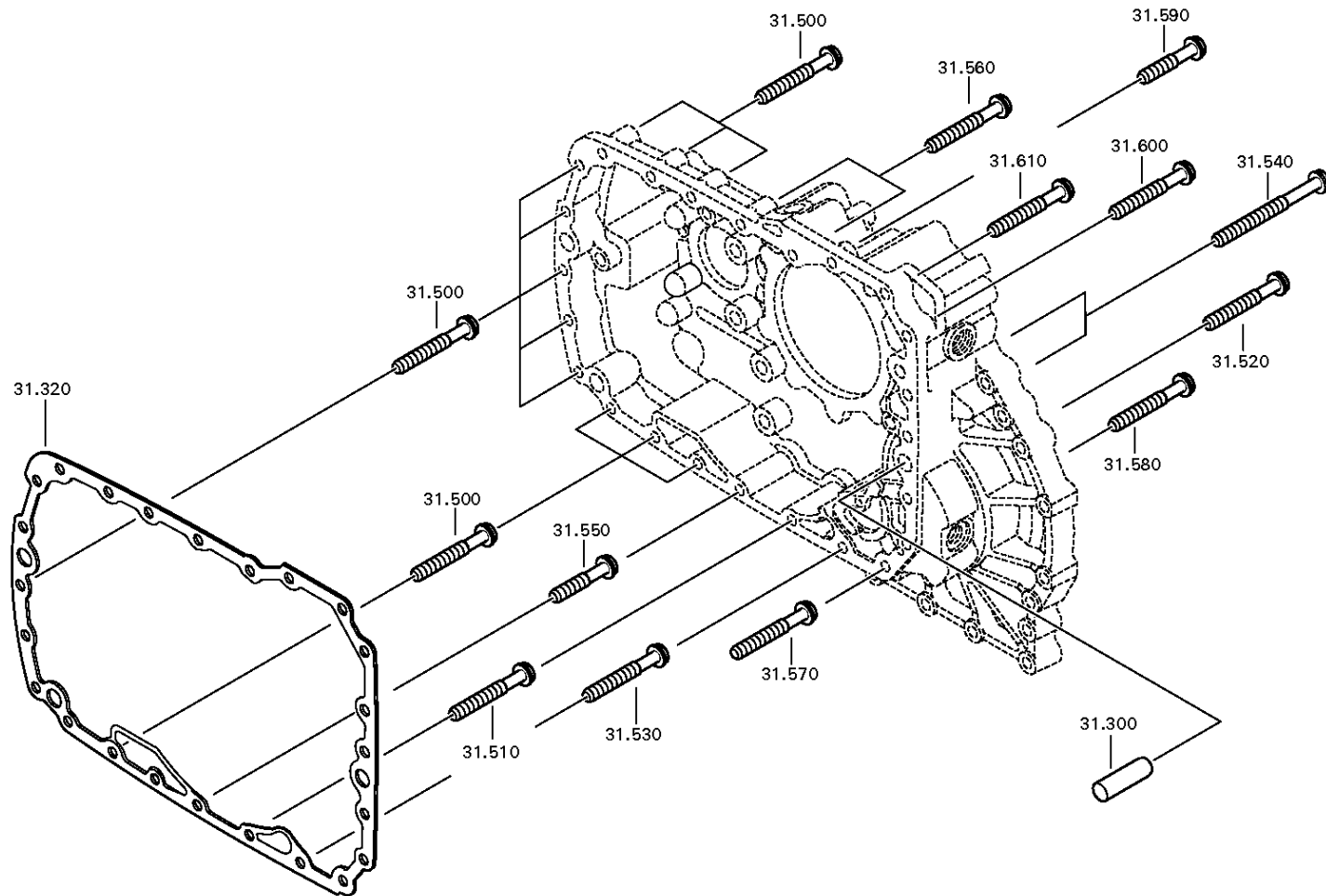


Plant

Page 5 from 5

Material number: 1315.051.760
Plant: 068.43.80-1
GP HOUSING

16 S 151 /
COVER



Parts list

Page 1 from 2

Material number: 1315.051.760

16 S 151 /

Plant: 068.43.21-1

Material-assembly-group-no: 1315.131.047



Pos.	Material number	Customer material	Name	Quantity	ME	Amend. no.	Techn. Info.	Weight	Rep kit	Alternative material
10	1315.301.224		HOUSING	1			ENTHALT.IN 1315 301 222(0)	0,000		
20	---		SCREW PLUG	1		Z00010112111	60N.M*DICHTRING M24X1,5	0,000		
---	0636.304.088		SCREW PLUG	1		Z00010112110	M24X1,5	0,000		
---	0730.008.637		SEALING RING	1		Z00010112110	24X29	0,000		
50	0750.116.394	5 8092 0	BALL BEARING	1		C01007214E10	90,0X160,0X30,0	0,000		
80	1315.331.001		GASKET	1		C01005350C10		0,000		
90	1315.231.004		COVER	1			KPL.	0,000		
120	0750.111.341	8 8812 0	SHAFT SEAL	1			105X130X12	0,000		
120	0636.016.405		HEXAGON BOLT	9		Z00007060111	M10X60	0,000		
140	---		SCREW PLUG	1		C01004359F10	15N.M*DICHTRING M10X1	0,000		
---	0636.100.793		SCREW PLUG	1		Z00010111613	M10X1	0,000		
---	0730.008.055		SEALING RING	1			10X14	0,000		
160	1328.301.170	1878388	COVER	1		Z00008068010		0,000		
170	1238.308.201	5006880	GASKET	1			ENTHALT.IN 1238 308 202(2)	0,000		
180	0636.016.406		HEXAGON BOLT	4		Z00007061014	M12X25	0,000		
200	1296.301.008	70561090	SPRAY TUBE	1				0,000		
240	1315.334.039		GEAR SHIFT FORK	1				0,000		
260	---		ARTICULATION BOLT	1		Z00004075611	O.SCHEIBE M24X1,5 SK6	0,000		
---	1315.334.074	1877888	ARTICULATION BOLT	1		Z00004075610		0,000		
270	---		ARTICULATION BOLT	1		Z00004075611	O.SCHEIBE M24X1,5 SK6	0,000		
---	1315.334.074	1877888	ARTICULATION BOLT	1		Z00004075610		0,000		
300	0731.201.563		CYLINDRICAL PIN	3				0,000		
320	1316.301.042	133-158-1320	GASKET	1				0,000		
340	1315.301.118		INTERPLATE	1			ENTHALT.IN 1315 301 144(0)	0,000		
360	1316.301.042	133-158-1320	GASKET	1				0,000		
400	---		PULSE SENSOR	1		Z00004287211	35N.M*FLAECHENDICHT G*SCHUTZKAPPE	0,000		
---	0501.208.795	5 6112 0	PULSE SENSOR	1		Z00004287210	KPL. IN 0501 208 790(1)	0,000		

Parts list

Page 2 from 2

Material number: 1315.051.760

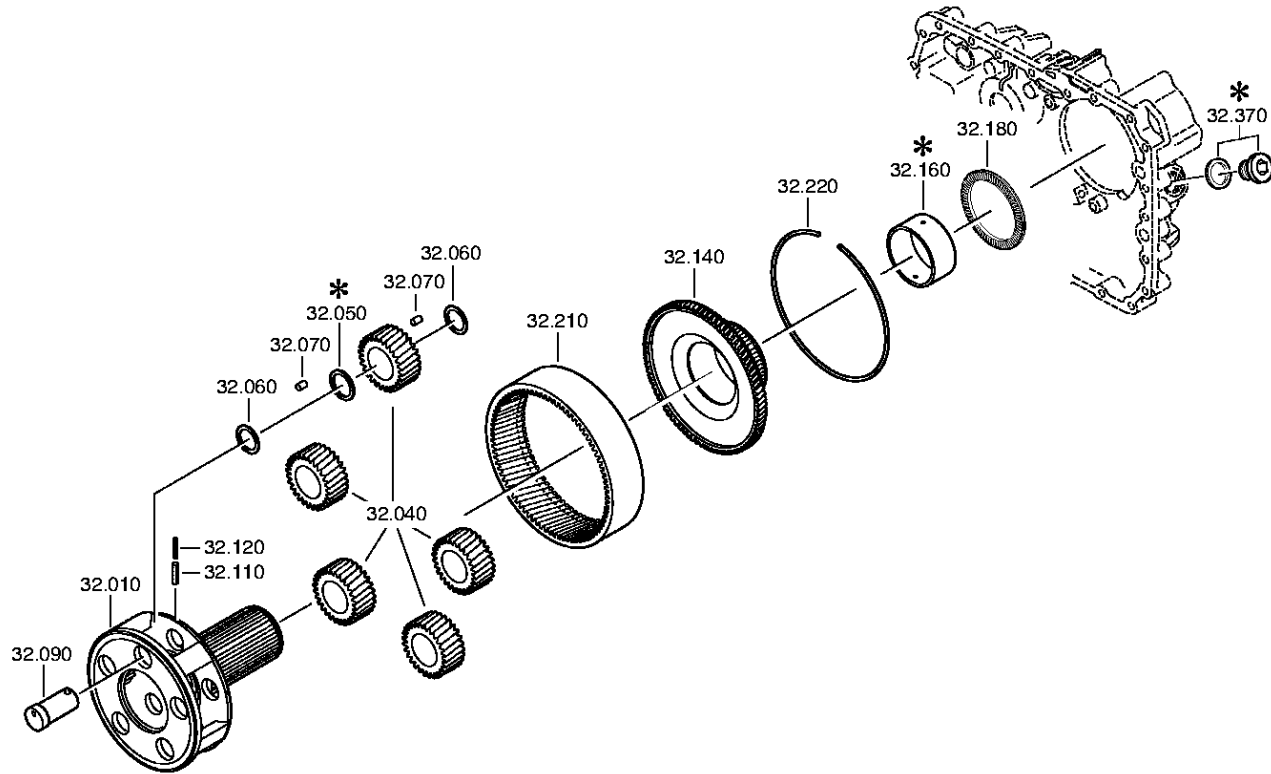
16 S 151 /

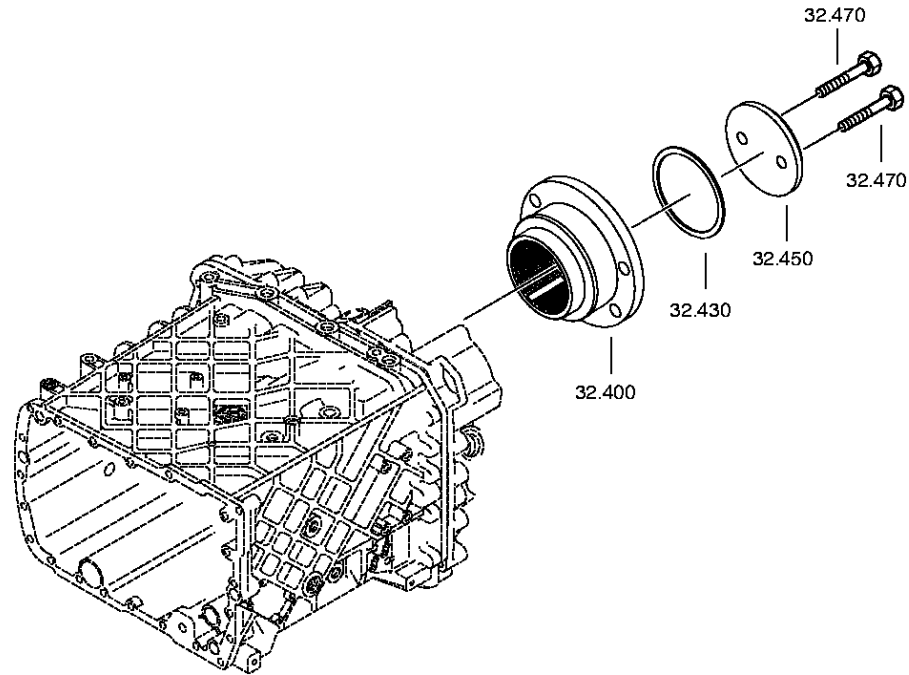
Plant: 068.43.21-1

Material-assembly-group-no: 1315.131.047



Pos.	Material number	Customer material	Name	Quantity	ME	Amend. no.	Techn. Info.	Weight	Rep kit	Alternative material
470	---		SCREW PLUG	1		Z00010111513	35N.M*DICHTRING M18X1,5	0,000		
---	0636.100.791		SCREW PLUG	1		Z00010111521	M18X1,5	0,000		
---	0634.801.062		SEALING RING	1		Z00010111521	18X24	0,001		
500	0736.300.123	1880233	HEXAGON BOLT	11			M10X70 M10X70	0,000		
510	0736.300.123	1880233	HEXAGON BOLT	1			M10X70 M10X70	0,000		
520	0736.300.123	1880233	HEXAGON BOLT	1			M10X70 M10X70	0,000		
530	0736.300.123	1880233	HEXAGON BOLT	1			M10X70 M10X70	0,000		
540	0736.300.122		HEXAGON BOLT	2		Z00009403110	M10X110 M10X110	0,000		
550	0736.300.134		HEXAGON BOLT	1		Z00011103210	M10X45 M10X45	0,000		
560	0736.300.123	1880233	HEXAGON BOLT	2			M10X70 M10X70	0,000		
570	0736.300.123	1880233	HEXAGON BOLT	1			M10X70 M10X70	0,000		
580	0736.300.123	1880233	HEXAGON BOLT	1			M10X70 M10X70	0,000		
590	0736.300.134		HEXAGON BOLT	1		Z00011103210	M10X45 M10X45	0,000		
600	0736.300.123	1880233	HEXAGON BOLT	1			M10X70 M10X70	0,000		
610	0736.300.123	1880233	HEXAGON BOLT	1			M10X70 M10X70	0,000		





Parts list

Page 1 from 1

Material number: 1315.051.760

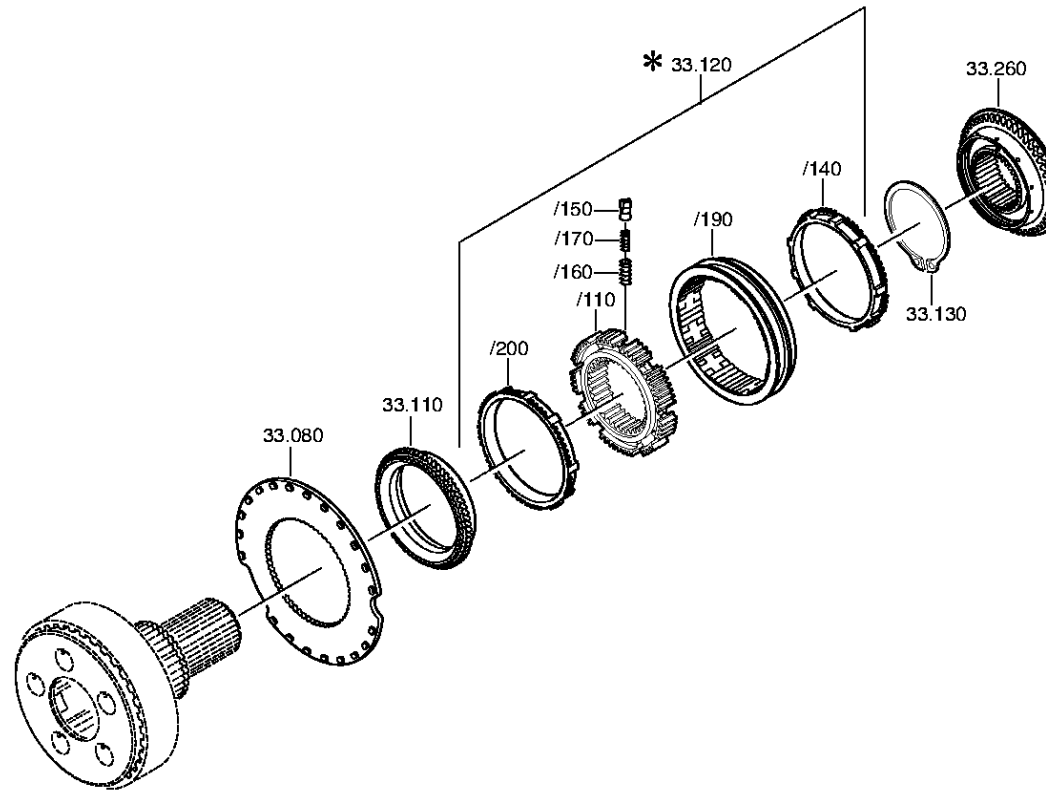
16 S 151 /

Plant: 068.44.07-1

Material-assembly-group-no: 1315.132.015



Pos.	Material number	Customer material	Name	Quantity	ME	Amend. no.	Techn. Info.	Weight	Rep kit	Alternative material
10	1315.232.027		PLANET CARRIER	1		Z00014438011		0,000		
40	1315.232.010	5 5353 0	PLANET GEAR SET	1			KPL.	0,000		
60	0730.107.168		INTERMWASHER	15			A=1,00 IN 0730 105 951(2)	0,000		
70	0750.119.116	42140312	ROLLER	140			10,0X16,8	0,010		
90	1315.332.091		PLANET SHAFT	5		Z00014438011		0,000		
110	0631.329.147		SLOTPIN	5		Z00014438011	6X26	0,000		
120	0631.329.261		SLOTPIN	5			3,5X26	0,000		
140	1316.332.130		RING GEAR CARRIER	1		C01007305F10		0,000		
160	1316.333.014		INTERMRING	1				0,000		
180	0735.298.169	5 8159 0	AXIAL NEEDLE BEARING	1			104,5X128,4X10,0 FA.INA	0,000		
210	1315.332.041	5 5867 0	RING GEAR	1			IN 1316 332 055(1)	0,000		
220	0730.513.583		LOCKING WIRE	1			A=3,20 IN 0730 505 052(2)	0,000		
400	1316.332.143		OUTPUT FLANGE	1			ECO3*SOLO*ZINI- BESCHICHTUNG	0,000		
430	0634.313.805		O-RING	1			82X4	0,000		
450	1312.332.028		WASHER	1				0,000		
470	0636.011.777		HEXAGON BOLT	2		Z00007292012	M12X60	0,000		

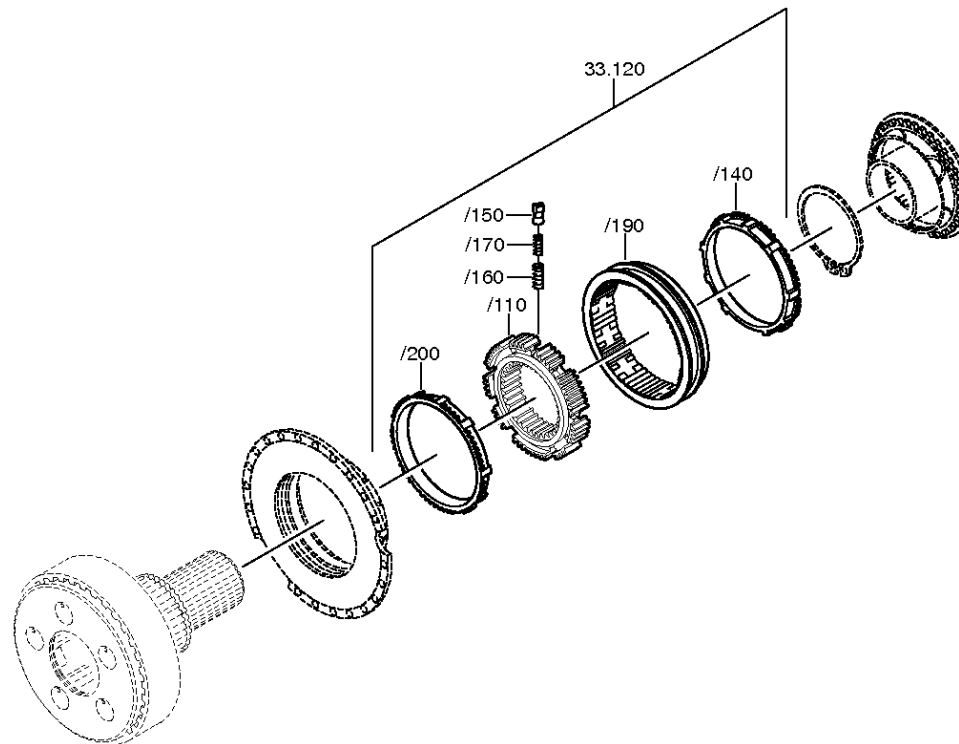


Plant

Page 2 from 2

Material number: 1315.051.760
Plant: 068.45.40-1
SYNCHRONIZER

16 S 151 /
SYNCHRONIZER



Parts list

Page 1 from 1

Material number: 1315.051.760 **16 S 151 /**
Plant: 068.45.04-1
Material-assembly-group-no: 1316.133.008



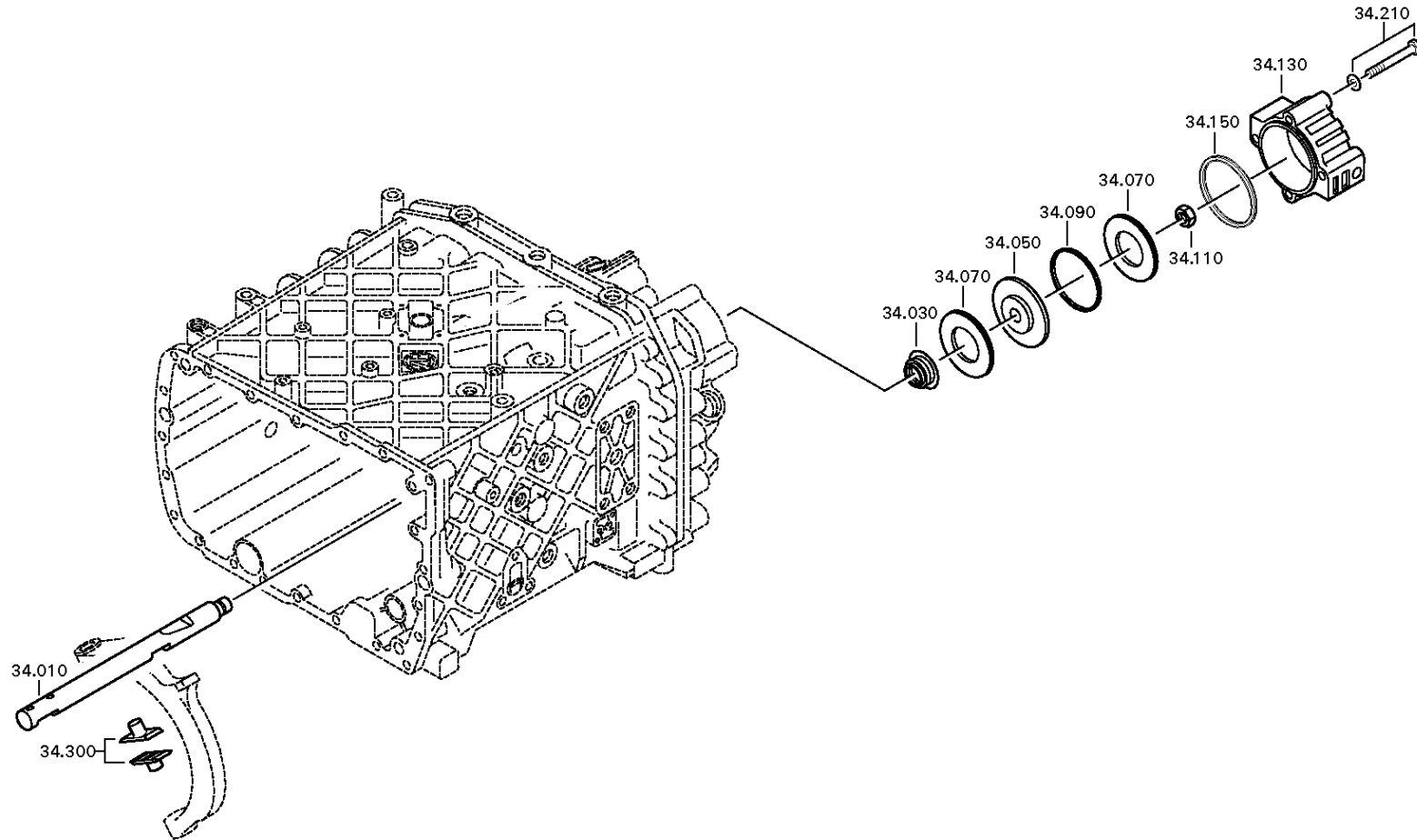
Pos.	Material number	Customer material	Name	Quantity	ME	Amend. no.	Techn. Info.	Weight	Rep kit	Alternative material
80	1296.333.046		CLUTCH DISC	1			ENTHALT.IN 1296 333 051(1)	0,000		
110	1296.333.050	5 5302 0	CLUTCH BODY	1		C01002627A10	ENTHALT.IN 1296.333.053(1)	0,000		
120	1316.233.022		SYNCHRONIZER	1			KPL.PROFIL 80GV-GP 90SV-GP	0,000		
/110	1313.333.001		SYNCHROBODY	1			ENTHALT.IN 1296 333 014(1)	0,000		
/140	1296.333.045	5 5301 0	SYNCHRORING	1				0,000		
/150	1240.304.278	3362640239	PRESSURE PIECE	9				0,000		
/160	0732.040.385	3362640693	COMPRSPRING	9				0,000		
/170	0732.040.386	3362640793	COMPRSPRING	9				0,000		
/190	1316.333.034		SLIDING SLEEVE	1		C01007317F10	ZF-B 165/74 GP	0,000		
/200	1296.333.045	5 5301 0	SYNCHRORING	1				0,000		
130	0630.501.175	0692274	RETAINING RING	1		Z00006943010	125X3,7	0,000		
260	1316.233.029		CLUTCH BODY	1		C01007305F10	KPL. ZF-B 165/74	0,000		

Plant

Page 1 from 2

Material number: 1315.051.760
Plant: 068.46.03-1
GP SHIFT SYSTEM

16 S 151 /
GP SHIFT SYSTEM

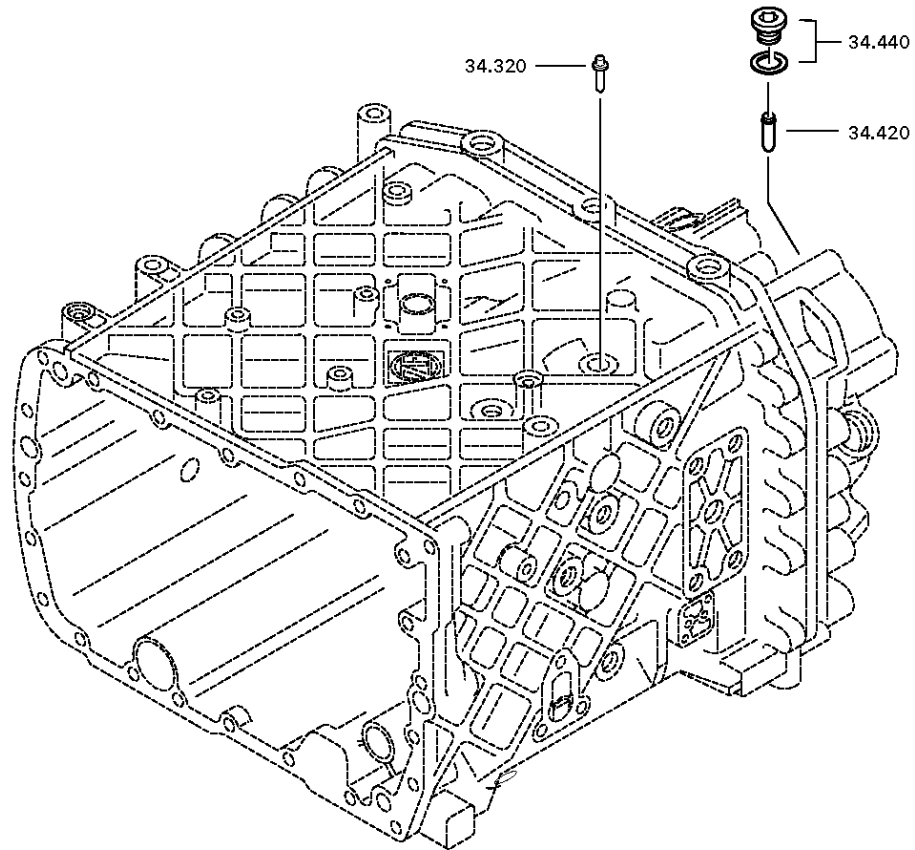


Plant

Page 2 from 2

Material number: 1315.051.760
Plant: 068.46.41-1
GP SHIFT SYSTEM

16 S 151 /
GP SHIFT SYSTEM



Parts list

Page 1 from 1

Material number: 1315.051.760

16 S 151 /

Plant: 068.46.03-1

Material-assembly-group-no: 1315.134.015



Pos.	Material number	Customer material	Name	Quantity	ME	Amend. no.	Techn. Info.	Weight	Rep kit	Alternative material
10	1315.334.071		GEAR SHIFT RAIL	1				0,000		
30	0750.112.253	5 8342 0	FLANGE PACKING	1			25X40X15	0,000		
50	---		PISTON	1			GP	0,000		
---	1315.334.034		PISTON	1			ENTHALT.IN 1315 334 040(2)	0,000		
---	1315.334.063		PISTON	1				0,000		
70	0734.307.294	5 8400 0	SEALING RING	2			49X91X7,4 FA.KACO	0,000		
90	0750.112.066	5 5131 0	GUIDE RING	1				0,000		
110	0737.300.037		LOCKING NUT	1			MS16X1,5	0,000		
130	1315.334.069	5 5836 0	CYLINDER	1				0,000		
150	0501.317.536	5 6096 0	PROFILE SEALING RING	1				0,000		
210	---		HEXAGON BOLT	4		Z00007349210	M10X90	0,000		
---	0636.015.688		HEXAGON BOLT	4		Z00007349212	M10X90	0,000		
---	0630.100.294		WASHER	4		Z00007158111		0,000		
300	1296.334.004	5 5174 0	SLIDING PAD	2				0,000		
320	---		DETENT PLUNGER	1			145N*50N.M	0,000		
---	1324.207.035		DETENT PLUNGER	1			KPL. *145 N	0,000		
---	0730.008.604		SEALING RING	1				0,000		
420	1295.212.006		PIN	1			KPL.	0,000		
440	---		SCREW PLUG	1		Z00010111513	35N.M*DICHTRING M18X1,5	0,000		
---	0636.100.791		SCREW PLUG	1		Z00010111521	M18X1,5	0,000		
---	0634.801.062		SEALING RING	1		Z00010111521	18X24	0,001		

Plant

Page 1 from 1

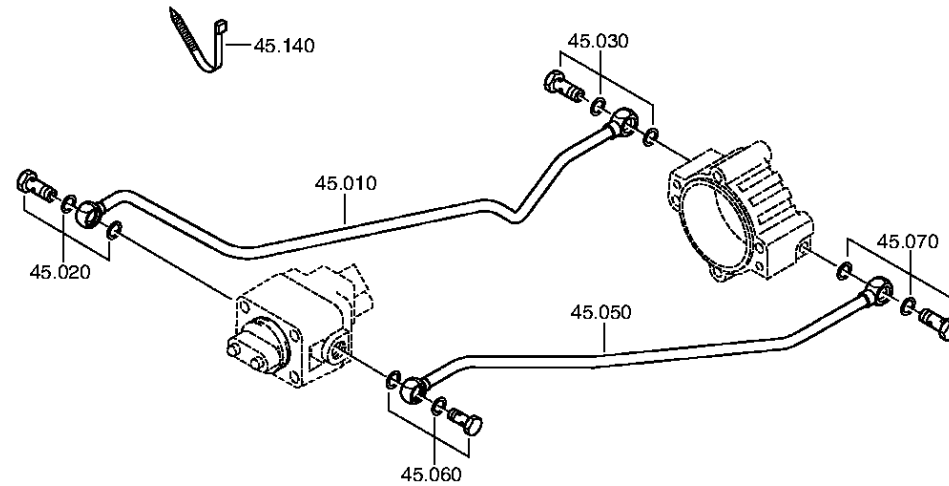
Material number: 1315.051.760

Plant: 068.57.04-1

Material-assembly-group-no: 1315.145.004

16 S 151 /

RANGE SELECTION



Parts list

Page 1 from 1

Material number: 1315.051.760

16 S 151 /

Plant: 068.57.04-1

Material-assembly-group-no: 1315.145.004



Pos.	Material number	Customer material	Name	Quantity	ME	Amend. no.	Techn. Info.	Weight	Rep kit	Alternative material
10	1315.245.016		PIPE	1		C01003833B10	KPL.GP RE*L=515MM* 12X1,5	0,000		
20	---		UNION SCREW	1		Z00010274511	M14X1,5	0,000		
---	0737.300.061		UNION SCREW	1		Z00012473710	M14X1,5	0,000		
---	0634.801.217	99707034424	SEALING RING	1		Z00010274513	14X20	0,000		
30	---		UNION SCREW	1		Z00010274511	M14X1,5	0,000		
---	0737.300.061		UNION SCREW	1		Z00012473710	M14X1,5	0,000		
---	0634.801.217	99707034424	SEALING RING	1		Z00010274513	14X20	0,000		
50	1315.245.017		PIPE	1		C01003833B10	KPL.GP LI*L=532MM* 12X1,5	0,000		
60	---		UNION SCREW	1		Z00010274511	M14X1,5	0,000		
---	0737.300.061		UNION SCREW	1		Z00012473710	M14X1,5	0,000		
---	0634.801.217	99707034424	SEALING RING	1		Z00010274513	14X20	0,000		
70	---		UNION SCREW	1		Z00010274511	M14X1,5	0,000		
---	0737.300.061		UNION SCREW	1		Z00012473710	M14X1,5	0,000		
---	0634.801.217	99707034424	SEALING RING	1		Z00010274513	14X20	0,000		
140	0659.160.081		CABLE CLIP	1		C01006654E10	4,7X210	0,000		