



Spare Parts Catalog

16 S 2220 TD

IVECO

Material number: 1356.001.031

Current date: 14.08.2013

ZF Friedrichshafen AG
Hauptverwaltung
80038 Friedrichshafen
Deutschland

Telefon: +49 7541 77-0

Telefax: +49 7541 77-908000

www.zf.com

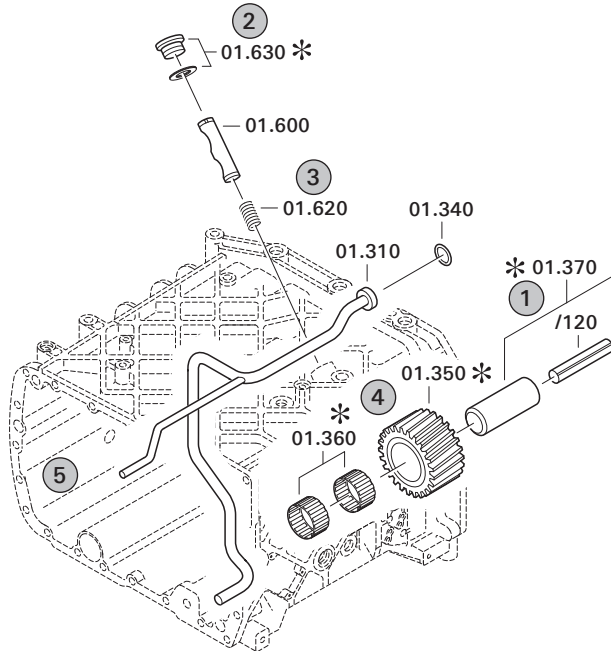
zuständiges Werk:
Friedrichshafen

Notes relating to the spare parts catalog

Setup of the spare parts catalog

- Cover sheet
- Technical Cover (only in SDM print)
- Overview of figures
- Figure
- Associated parts list
- Next figure
- Associated parts list
- ...

Figure and parts list



Overview of figures

Bildtafel Figure	Sachnummer Product number	Benennung (Description)	Technische Info Technical info	Description (Benennung)	Menge Quantity	Einheit Unit
068.08.17	1316.170.001	AUSLEGER	WL	SHIFT TURRET	1	Stk
068.08.06	1316.170.031	DECKEL	WL*H-H *VM	COVER	1	Stk
068.08.14	1316.170.808	DECKEL	WL*AUSL+GEH*H-H*HF160N	COVER	1	Stk
08	1316.170.441	ANSCHLUSSTEILE	WL*NG-VORB*RG-SCHL*168N *BAJONETT	CONNECTING PARTS	1	Stk

The "gap" indicates that there is no separate graphics panel (poster) for this assembly
The parts of this assembly are shown with the same mid-section number on the figure

1 Positions and subpositions

Pos.	Sachnummer Product number	Benennung (Description)	Technische Info Technical info	Description (Benennung)	Menge Quantity	Einheit Unit
0370	1315.201.054	RUECKLAUFBOLZEN	KPL.16S151*SG*L= 79	REV.IDLER SHAFT	1	Stk
/0120	0631.329.293	SPANNSTIFT		SLOT. PIN	1	Stk

Positions marked with "/" are the individual items of a completion
For example: Position 0370 contains a centering pin with the position /0120

2 Combinations with standardized parts

Pos.	Sachnummer Product number	Benennung (Description)	Technische Info Technical info	Description (Benennung)	Menge Quantity	Einheit Unit
0630		VERSCHL.SCHR.		SCREW PLUG	1	Stk
	0636.302.067	VERSCHL.SCHR.		SCREW PLUG	1	Stk
	0634.801.249	DICHTRING	A 26 X 31	SEALING RING	1	Stk

The parts list shows the components included in the combination of standardized parts

3 Depiction of position/item number on the figure and in the parts list

01.620 - on the figure 01 relates to the assembly in which the position is included. Due to program-related reasons, it is shown on the figure.

0620 - in the parts list

Pos.	Sachnummer Product number	Benennung (Description)	Technische Info Technical info	Description (Benennung)	Menge Quantity	Einheit Unit
0620	0732.040.736	DRUCKFEDER		COMPRESSION SPRING	1	Stk

4 *-Positions

Positions marked with an * are optional i.e. inclusion in the parts list is not mandatory.
The following note is shown on the figure

je nach Stücklistenausführung
depending on spec. number
*
suivant la nomenclature
secondo la distinta base

5 Parts, dotted display

Parts with dotted display on the figure are only used for orientation of other parts



Pos.	Information	Amendment number
001	Use case -----	
002	Customer IVECO MAGIRUS AG	
003	City Ulm	
004	DUNS 31-561-9072	
006	Sales Name STRALIS AS/S.AD/AT	
007	Manufacturer IVECO MAGIRUS AG	
008	Engineering Name	
009	Product Use TRUCK	
011	SOP	
012	Engine	
013	Sales Designation	
014	Manufacturer IVECO FIAT SPA	
015	Eng.Displ.	
016	Cylinder	
017	Nom. power 331 kW	
018	RPM at nom. power 2100 1/min	
019	Nom. torque 2100 Nm	
020	RPM at nom. torque 1050 1/min	
021	Classification use case -----	
026	DYNAMIC TYRE RADIUS 447 mm	
027	REAR AXLE RATIO 2.93	
031	PERMISS.GROSS VEHICLE WEIGHT 26 t	
032	PERMISS.GROSS COMBIN.WEIGHT 60 t	
033	Product description -----	
034	INSTALLATION POS TRANSMISSION HORIZONTAL LEFT	
035	TRANSMISSION ATTACHMENT FLANGE-MOUNTED	
041	NUMBER OF GEARS 16	
042	RATIO, BOTTOM GEAR 16.410	
043	RATIO, TOP GEAR 1.000	
044	SET OF RATIOS DG	
045	NOTE ON TYPE OF GEAR SHIFT SYS TURNING SHAFT	
046	POSITION, GEAR SHIFT SYSTEM HORIZONTAL LEFT	
047	DESIGN, SHIFT PATTERN H-H	



Pos.	Information	Amendment number
048	VERSION SHIFT SUPPORT GATE DEPENDENT SERVO	
049	VERSION ACTUATION SHIFT SYSTEM MECHANICAL	
050	DESIGN, SHIFT SYSTEM MECHANICAL	
051	DESIGN PSE PSE9	
052	DESIGN PSE WITH VALVE SAV6	
053	DESIGN, VALVE BLOCK	
054	MAIN CUTOFF VALVE WITH	
055	NO. TAPPETS MAIN CUTOFF VALVE 2	
056	POS. AIR CON MAIN CUTOFF VALVE G	
057	DESIGN 1TH GEAR/REVERSE GEAR FORK	
058	DESIGN AIR SHUT-OFF ELEK SAV 6	
059	DIA.THROTTLE VALVE AIR SUPPLY 1.3 mm	
060	SELECTION PATTERN VARIANT GEAR SHIFT PATTERN 1	
061	VERSION OF SYNCHRONIZER 1 1+2 GEAR BK-SYNCHR.MOLYBDAEN	
062	VERSION OF SYNCHRONIZER 2 3+4 GANG BK-SYNCHR.CARBON	
063	REFERENCE LENGTH INPUT SHAFT 117.000 mm	
064	STANDARD TYPE INPUT SHAFT SAE	
065	NUMBER OF WEDGES INPUT SHAFT 10	
066	VERSION OF INPUT SHAFT FORM C	
067	NOMINAL DIAMETER INPUT SHAFT 2 in	
068	DIAMETER, JOURNAL, INPUT SHAFT 25.000 mm	
069	TYPE FIT SPIGOTS INPUT SHAFT F7	
070	VER. BEAR. SPIGOTS INPUT SHAFT TAPER ROLLER	
073	DESIGN,CONN., CLUTCH HOUSING SAE 1	
074	CENTR.DIA,HSG/ENGINE CONNECT. 511.175 mm	
075	NUMBER OF BORES,ENGINE CONN. 12	
076	BORE DIA, ENGINE CONNECTION 11.000 mm	
077	DESIGN, RELEASE SHAFT	
078	WIDTH ACROSS FLATS,RELEAS.FORK 116.000 mm	
081	REF.LENGTH,RELEASE BEAR.FLAN -24.2 mm	
082	DIAMETER, RELEASE FLANGE 62.62 mm	
083	DESIGN RELEASE CYLINDER WITHOUT GROOVE	
084	OUTER DIA. OUTPUT FLANGE RA 180 mm	



Pos.	Information	Amendment number
085	NO.OF BORES OUTPUT FLANGE HA1 4	
087	BORE DIA. OUTPUT FLANGE RA 15 mm	
091	CORROS.PROTECTION, OUTP.FLANGE COATED	
092	DIMENSION SHIFT TURRET DIST. 300 mm	
093	MEAS. LOC. SHIFT TURRET DIST. SHIFT LEVER-LOCATION	
094	SELECTOR LEVER	
095	RADIUS SELECTOR LEVER mm	
096	SELECTOR LEVER POSITION	
097	DESIGN OFFSET SELECTOR LEVER	
098	LENGTH OFFSET SELECTOR LEVER mm	
099	G.SHIFT LEVER n	
100	RADIUS 1 SHIFT LEVER mm	
103	SHIFT LEVER CONNECTION KNURLING	
104	DESIGN, OFFSET, SHIFT LEVER	
106	LEVER POSITION SHIFTING OUTPUT	
110	SPRING ARRANGEMENT Q1	
111	SPRING FORCE DETENT PLUNGER RG 90.000 N	
114	SELECTOR SPRING FORCE, OUTSIDE 50.000 N	
116	HUMP SPRING FORCE, OUTSIDE 150.000 N	
121	ALLOCATION DETENT LEVER VER. A	
122	SWITCH, REVERSE GEAR y	
123	DESIGN, RG (REV.GEAR) SWITCH CLOSING	
124	DESIGN, CONNECTION, RG SWITCH DIN BAYONET	
125	CODE SWITCH RG A1	
126	PROT.CAP SWITCH, REVERSE GEAR y	
127	SWITCH, NEUTRAL GEAR y	
128	DESIGN,NG(NEUTRAL GEAR)SWITCH OPENING SWITCH	
129	DESIGN, CONNECTION, NG SWITCH DIN BAYONET	
130	CODE SWITCH NG A1	
131	PROT.CAP SWITCH, NEUTRAL GEAR y	
132	PRESSURE SWITCH n	
133	DESIGN PRESSURE SWITCH	
134	DESIGN CONN. PRESSURE SWITCH	



Pos.	Information	Amendment number
136	PROTECTING CAP PRESS.SWITCH	
137	RG-GATE-IDENTIFICATION SWITCH n	
142	SWITCH RG-ENGAGED n	
147	SWITCH GP y	
148	DESIGN, GP SWITCH CLOSING	
149	DESIGN, CONNECTION, GP SWITCH DIN BAYONET	
150	CODE SWITCH GP A1	
151	PROTECTING CAP GP SWITCH y	
157	SWITCH GV n	
162	SWITCH HG n	
167	SWITCH 1 GEAR n	
172	ATTACHM.POS.HEAT EXCHANGER IN FRONT RIGHT	
173	DES.CONN.HEAT EXCHANGER PREPARED	
174	VER. TRANSMISSION VENTILATION PLUG CONNECTION 90 DEGREE	
175	LENGTH, VENT TUBE mm	
176	POS.TRANSMISSION VENTILATION IN FRONT	
181	PULSE SENSOR TRANSMISSION PREPARED	
182	PULSE RATE PULSE SENS GEARBOX 6 IMP/U	
183	PROT.CAP PULSE SENSOR GEARBOX	
184	DES.CONN.PULSE SENSOR GEARBOX	
185	DESIGN PULSE SENSOR GEARBOX	
191	OIL CAPACITY, GEARBOX 15.5 dm3	
192	OIL FILL VARIANT EX WORKS	
193	OIL GRADE PERMISSIBLE ACC. TO TE-ML01	
194	OIL CLASS FIRST FILLING E	
195	CODING OUTER CONSERVATION KA1	
197	CODING INNER CONSERVATION KI1	
198	CONSERVATION SPECIFICATION ZFN 916	
199	COLOR BLACK-GREY	
200	COLOUR CLASSIFICATION ACC. TO RAL 7021	
201	PAINTING, ZF STANDARD 915 W	
203	Documents -----	
204	16-SPEED GEARBOX Drawing 1367.601.002	



Pos.	Information	Amendment number
205	TURN.SHAFT CONT Drawing 1316.173.010	
206	Alias ID -----	
207	IVECO MAGIRUS AG 41289477	

Assembly group overview

Material number: 1356.001.031

16 S 2220 TD / IVECO



Page 1 from 2

Graphics	Pos.	Material number	Name	Quantity	Amend. no.	Techn. Info.
161.01.07-1	110	1356.101.003	GEARBOX HOUSING	1		
161.01.81-1	180	1325.101.810	CLUTCH HOUSING	1		
161.02.05-1	10	1356.102.008	INPUT SHAFT	1		
161.02.80-1	240	1325.102.802	CONNPLATE	1		
161.02.01-1	910	1325.102.016	CONNPLATE	1		
161.03.02-1	20	1356.103.003	LAYSHAFT	1		
161.04.05-1	30	1356.104.003	MAIN SHAFT	1		
161.05.01-1	130	1325.105.001	RETURN	1		
161.06.04-1	40	1356.106.001	GEARSHIFT SYST	1		
161.06.02-1	44	1325.106.803	GEARSHIFT SYST	1		
068.07.81-1	460	1316.108.817	GEAR SHIFT HOUSING	1		
068.07.38-1	910	1316.108.086	GEAR SHIFT HOUSING	1		
068.07.26-1	914	1316.108.463	GEAR SHIFT SHAFT	1		
068.07.55-1	924	1316.108.019	DETENT	1		
068.07.57-1	930	1316.108.811	COVER	1		
062.08.30-1	954	1316.171.403	END COVER	1		
068.08.18-1	960	1316.171.439	PNEUMSERVUNIT	1		
068.09.01-1	934	1316.109.022	CONNECTING PARTS	1		
068.09.12-1	940	1316.109.455	CONNECTING PARTS	1		
161.10.04-1	200	1356.110.002	OIL SUPPLY	1		
161.10.01-1	920	1325.110.005	PUMP	1		
068.12.08-1	918	1316.149.452	SET OF SPRINGS	1		
161.28.01-1	370	1325.128.806	PLANETARY RANGE	1		
161.40.01-1	50	1356.112.001	GV-SHIFT SYSTEM	1		
161.40.80-1	340	1325.112.803	GV-SHIFT SYSTEM	1		
161.43.03-1	40	1325.131.012	GP HOUSING	1		
161.43.40-1	50	1325.131.400	CLOSING COMPONENTS	1		
161.44.01-1	10	1325.132.003	PLANETARY DRIVE	1		
161.44.40-1	60	1325.132.405	OUTPUT FLANGE	1		
161.45.01-1	20	1325.133.004	SYNCHRONIZER	1		
161.46.01-1	30	1325.134.006	GP SHIFT SYSTEM	1		
161.46.40-1	400	1325.134.404	SWITCH	1		

Assembly group overview

Material number: 1356.001.031

16 S 2220 TD / IVECO

Page 2 from 2



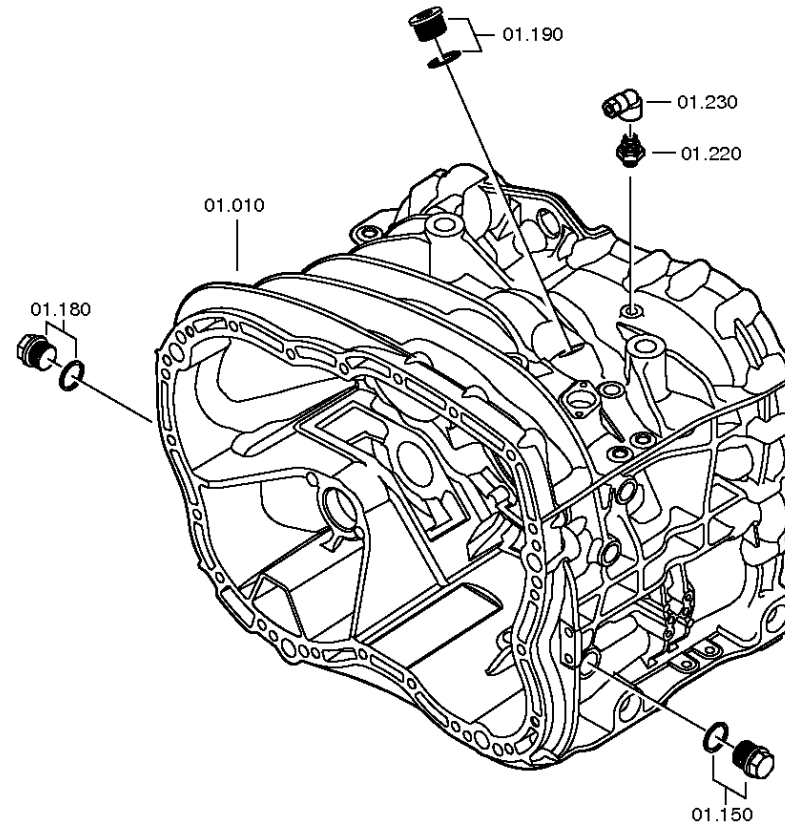
Graphics	Pos.	Material number	Name	Quantity	Amend. no.	Techn. Info.
161.57.04-1	510	1325.145.004	RANGE SELECTION	1		
161.70.06-1	480	1356.170.009	SHUT-OFF VALVE	1		
161.90.08	320	1325.147.009	SCREW PLUG	1		
161.93.25-1	260	1325.168.005	CLUTCH RELEASE DEVICE	1		

Plant

Page 1 from 2

Material number: 1356.001.031
Plate: 161.01.07-1
GEARBOX HOUSING

16 S 2220 TD / IVECO
GEARBOX HOUSING



Plant

Page 2 from 2

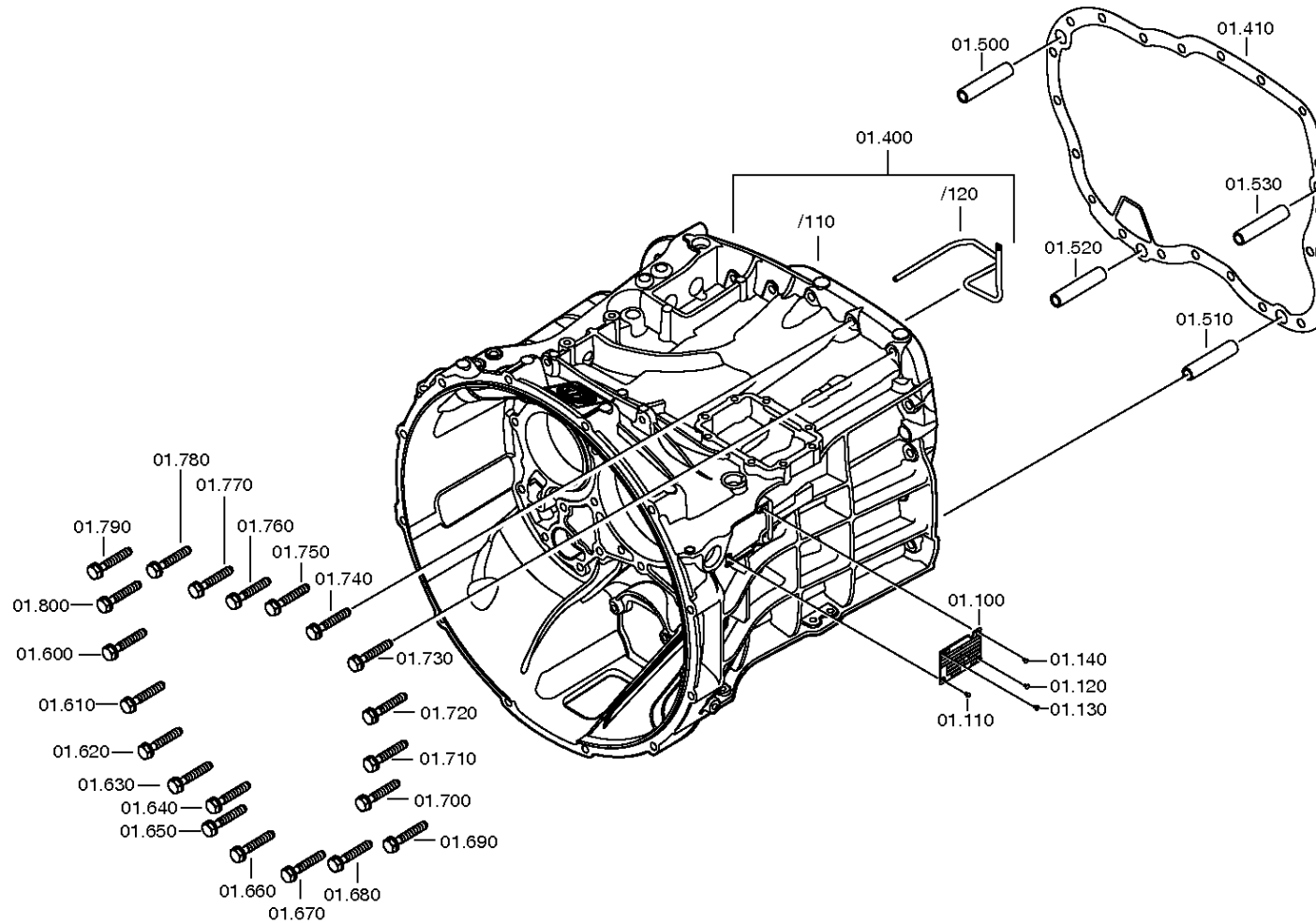
Material number: 1356.001.031

Plate: 161.01.81-1

GEARBOX HOUSING

16 S 2220 TD / IVECO

GEARBOX HOUSING



Parts list

Page 1 from 2

Material number: 1356.001.031

16 S 2220 TD / IVECO

Plate: 161.01.07-1

Material-assembly-group-no: 1356.101.003



Pos.	Material number	Customer material	Name	Quantity	ME	Amend. no.	Techn. Info.	Weight	Rep kit	Alternative material
10	1325.201.031	42563337	GEARBOX HOUSING	1		Z00008470912	KPL.BEARBEITET*GP-ANZ	0,000		
100	---		TYPE PLATE	1			KONZERN	0,000		
---	0730.365.241		TYPE PLATE	1			EINHEITSSCH. VERDREHSICHER	0,000		
---	0730.365.259		TYPE PLATE	1			EINHEITSSCH. VERDREHSICHER	0,000		
---	0730.365.267		TYPE PLATE	1			CHINA	0,000		
---	0730.300.258		TYPE PLATE	1			EINHEITSSCH. VERDREHSICHER	0,000		
---	0730.365.271		TYPE PLATE	1			RUSSLAND/ KYRILLISCH	0,000		
---	0730.365.257		TYPE PLATE	1			S.S.CH IRAN	0,000		
110	0731.300.027		BLIND RIVET	1		Z00007904810		0,000		
120	0731.300.027		BLIND RIVET	1		Z00007904810		0,000		
130	0731.300.027		BLIND RIVET	1		Z00007904810		0,000		
140	0731.300.027		BLIND RIVET	1		Z00007904810		0,000		
150	---		SCREW PLUG	1		Z00010112111	60N.M*DICHTRING M24X1,5	0,000		
---	0636.304.088		SCREW PLUG	1		Z00010112110	M24X1,5	0,000		
---	0730.008.637		SEALING RING	1		Z00010112110	24X29	0,000		
180	---		SCREW PLUG	1		Z00010112111	60N.M*DICHTRING M24X1,5	0,000		
---	0636.304.088		SCREW PLUG	1		Z00010112110	M24X1,5	0,000		
---	0730.008.637		SEALING RING	1		Z00010112110	24X29	0,000		
190	---		SCREW PLUG	1		Z00010164412	70N.M*DICHTRING M26X1,5	0,000		
---	0636.100.811		SCREW PLUG	1		Z00010164420	M26X1,5	0,000		
---	0634.801.249		SEALING RING	1		Z00010164420	26X31	0,010		
220	0501.315.794	42533273	CANNON SOCKET	1		Z00006366310	M10X1	0,000		
230	0501.315.796	42533558	ANGLE PIECE	1				0,000		
400	1325.201.025	42562878	CLUTCH HOUSING	1			SAE D=11*ABSTZG.2X D=9*UNBEARB.SENSOR/ GV/M8/SCHUTZBL/LEITG	0,000		
410	0501.322.776	42562879	GASKET	1				0,000		
500	0731.201.563	93190480	CYLINDRICAL PIN	1				0,000		

Parts list

Page 2 from 2

Material number: 1356.001.031

16 S 2220 TD / IVECO

Plate: 161.01.07-1

Material-assembly-group-no: 1356.101.003



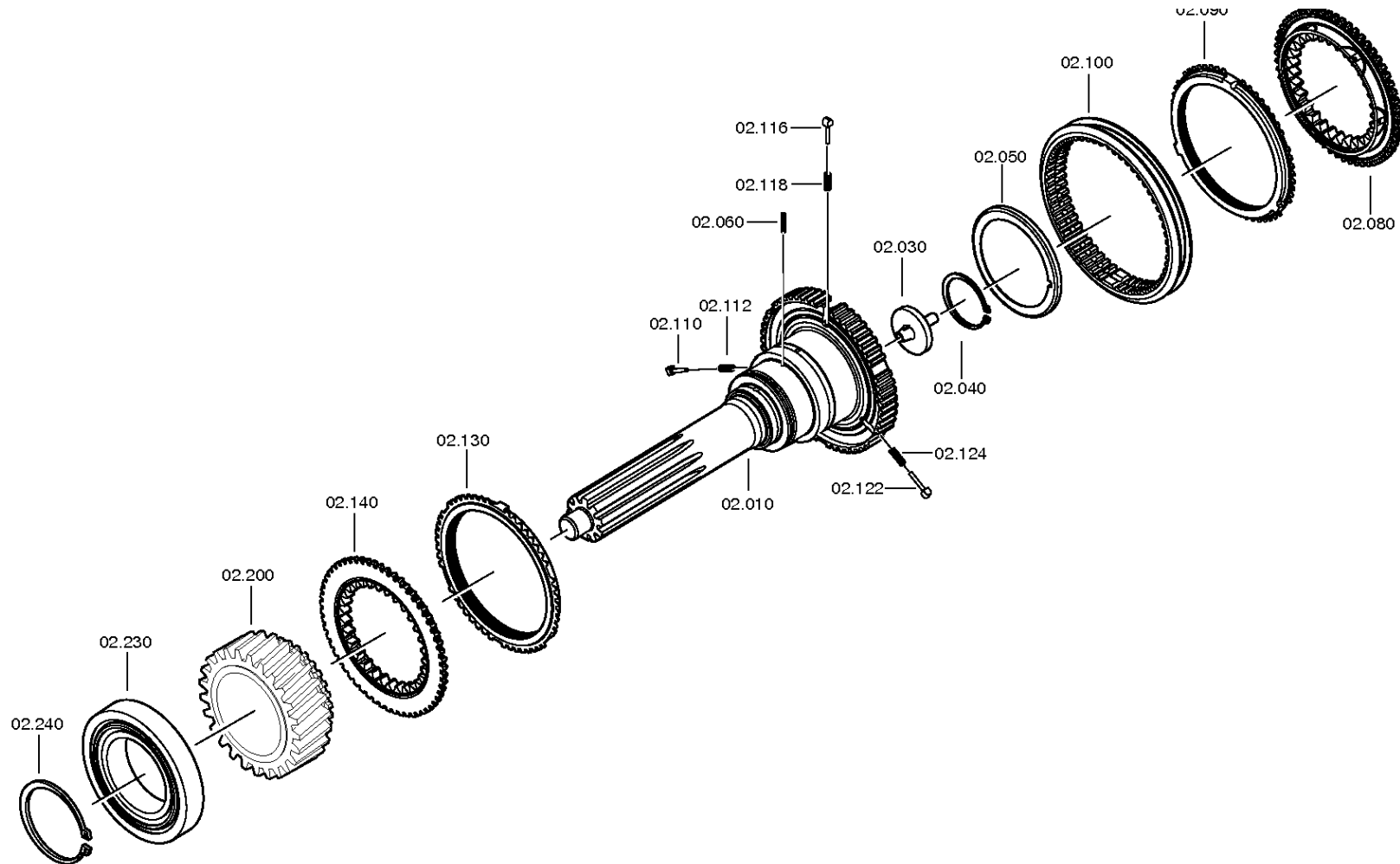
Pos.	Material number	Customer material	Name	Quantity	ME	Amend. no.	Techn. Info.	Weight	Rep kit	Alternative material
510	0731.201.563	93190480	CYLINDRICAL PIN	1				0,000		
520	0731.201.563	93190480	CYLINDRICAL PIN	1				0,000		
530	0731.201.563	93190480	CYLINDRICAL PIN	1				0,000		
600	0636.016.405	42563286	HEXAGON BOLT	1		Z00007060111	M10X60	0,000		
610	0636.016.405	42563286	HEXAGON BOLT	1		Z00007060111	M10X60	0,000		
620	0636.016.405	42563286	HEXAGON BOLT	1		Z00007060111	M10X60	0,000		
630	0636.016.405	42563286	HEXAGON BOLT	1		Z00007060111	M10X60	0,000		
640	0636.016.405	42563286	HEXAGON BOLT	1		Z00007060111	M10X60	0,000		
650	0636.016.405	42563286	HEXAGON BOLT	1		Z00007060111	M10X60	0,000		
660	0636.016.405	42563286	HEXAGON BOLT	1		Z00007060111	M10X60	0,000		
670	0636.016.405	42563286	HEXAGON BOLT	1		Z00007060111	M10X60	0,000		
680	0636.016.405	42563286	HEXAGON BOLT	1		Z00007060111	M10X60	0,000		
690	0636.016.405	42563286	HEXAGON BOLT	1		Z00007060111	M10X60	0,000		
700	0636.016.405	42563286	HEXAGON BOLT	1		Z00007060111	M10X60	0,000		
710	0636.016.405	42563286	HEXAGON BOLT	1		Z00007060111	M10X60	0,000		
720	0636.016.405	42563286	HEXAGON BOLT	1		Z00007060111	M10X60	0,000		
730	0636.016.405	42563286	HEXAGON BOLT	1		Z00007060111	M10X60	0,000		
740	0636.016.405	42563286	HEXAGON BOLT	1		Z00007060111	M10X60	0,000		
750	0636.016.405	42563286	HEXAGON BOLT	1		Z00007060111	M10X60	0,000		
760	0636.016.405	42563286	HEXAGON BOLT	1		Z00007060111	M10X60	0,000		
770	0636.016.405	42563286	HEXAGON BOLT	1		Z00007060111	M10X60	0,000		
780	0636.016.405	42563286	HEXAGON BOLT	1		Z00007060111	M10X60	0,000		
790	0636.016.405	42563286	HEXAGON BOLT	1		Z00007060111	M10X60	0,000		
800	0636.016.405	42563286	HEXAGON BOLT	1		Z00007060111	M10X60	0,000		

Plant

Page 1 from 3

Material number: 1356.001.031
Plate: 161.02.05-1
CONNPLATE

16 S 2220 TD / IVECO
INPUT SHAFT

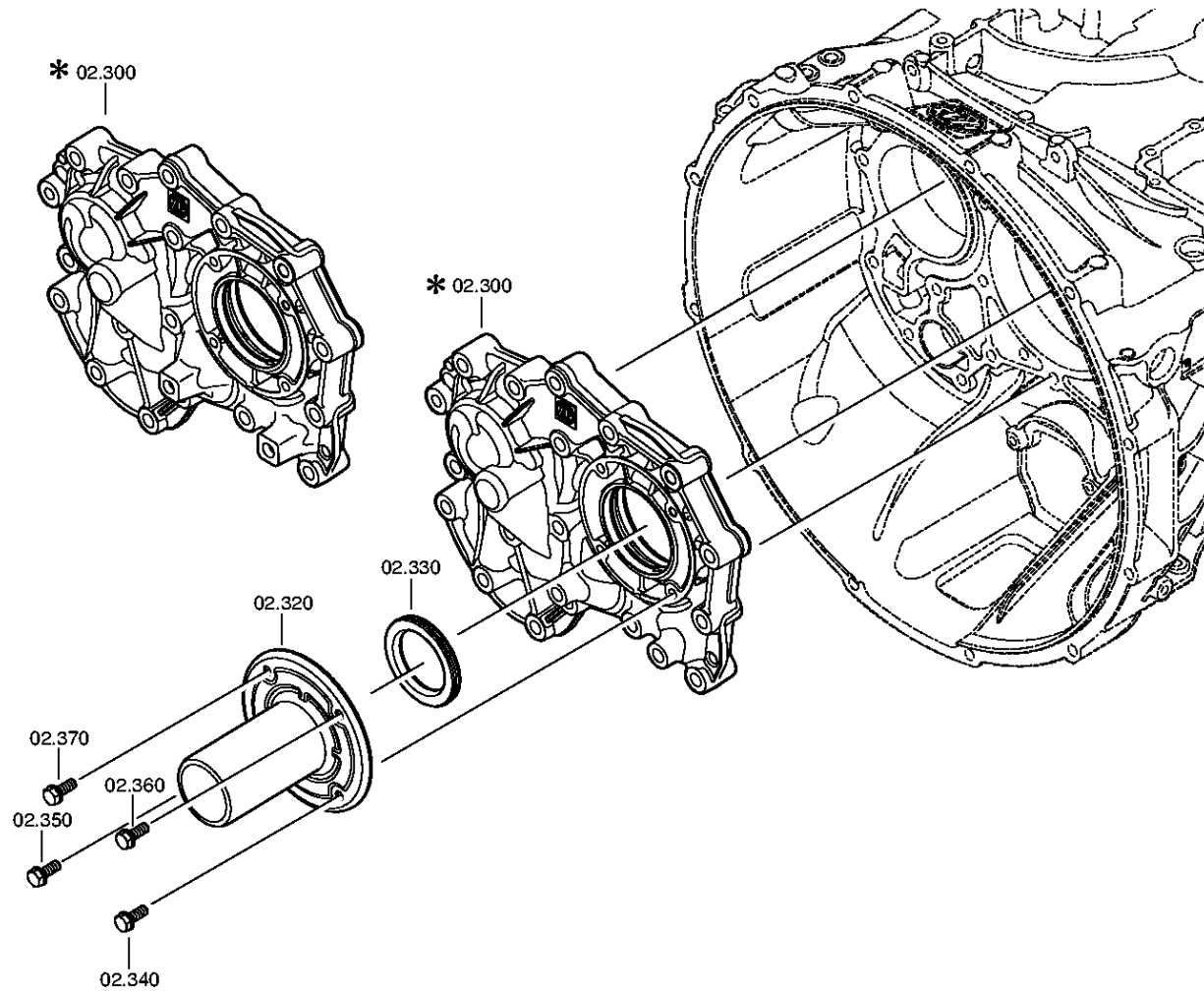


Plant

Page 2 from 3

Material number: 1356.001.031
Plate: 161.02.01-1
CONNPLATE

16 S 2220 TD / IVECO
INPUT SHAFT

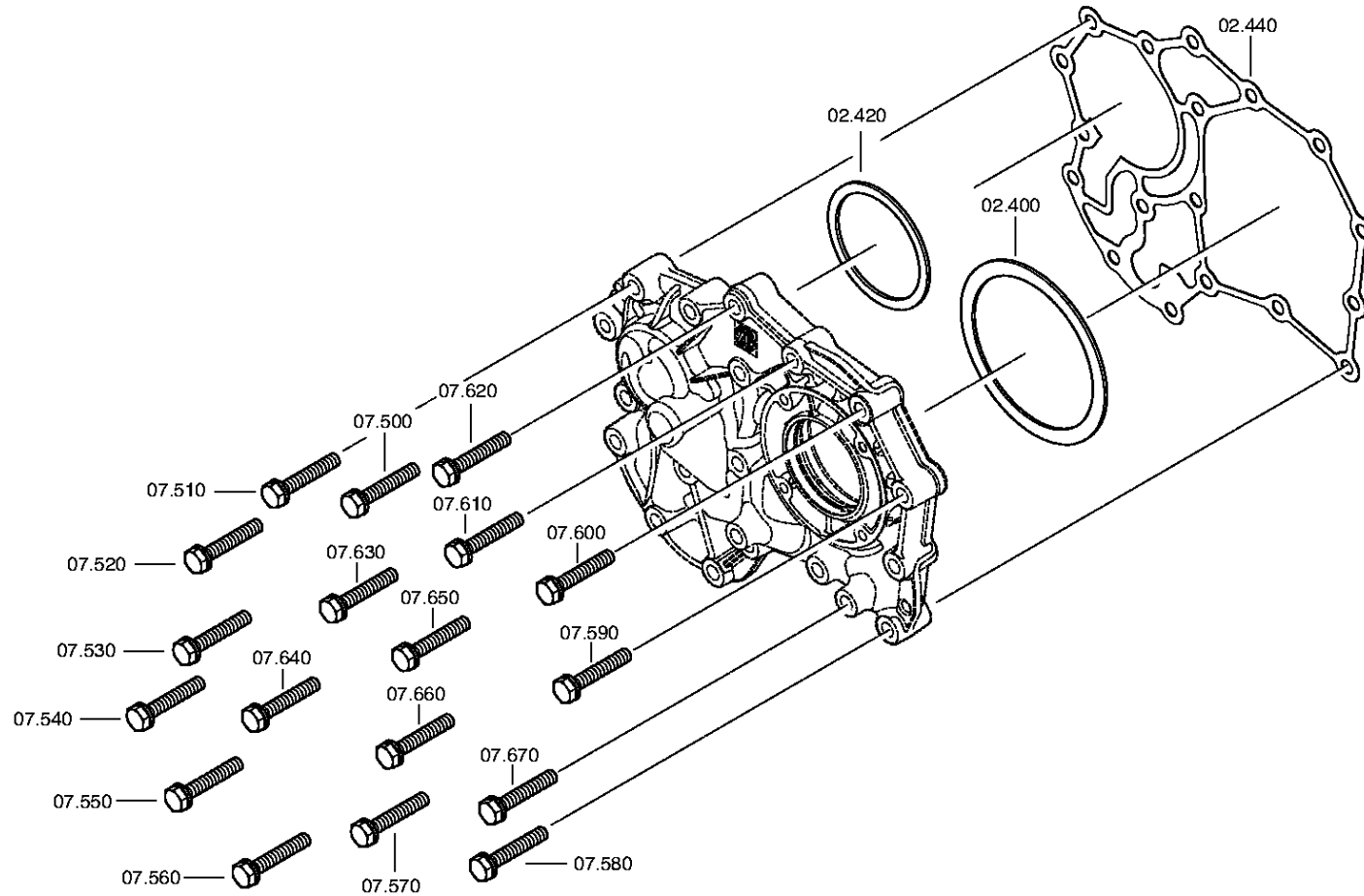


Plant

Page 3 from 3

Material number: 1356.001.031
Plate: 161.02.80-1
CONNPLATE

16 S 2220 TD / IVECO
INPUT SHAFT



Parts list

Page 1 from 5

Material number: 1356.001.031

16 S 2220 TD / IVECO

Plate: 161.02.05-1

Material-assembly-group-no: 1356.102.008



Pos.	Material number	Customer material	Name	Quantity	ME	Amend. no.	Techn. Info.	Weight	Rep kit	Alternative material
10	1356.302.103		INPUT SHAFT	1		Z00011537241		0,000		
30	1354.302.019	42561612	TUBE	1				0,000		
40	0630.502.027		RETAINING RING	1			50X2	8		
50	0750.101.179	42562881	OIL DAM	1		Z00007187910	77,0X95,5X6,0	0,000		
60	0631.328.659	500053178	SLOTPIN	1			4X30	0,000		
80	1316.304.190	500054122	CLUTCH BODY	1		Z00012049010	ZF-BK 144 O	0,000		
90	1316.304.189	42562883	SYNCHORING	1			ZF-BK 144	0,000		
100	1356.304.023	42562892	SLIDING SLEEVE	1		Z00011717310	ZF-BK 144	0,000		
110	1297.304.436		PRESSURE PIECE	1				0,004		
112	0732.040.409	8866134	COMPRSPRING	1				0,002		
116	1297.304.436		PRESSURE PIECE	1				0,004		
118	0732.040.409	8866134	COMPRSPRING	1				0,002		
122	1297.304.436		PRESSURE PIECE	1				0,004		
124	0732.040.409	8866134	COMPRSPRING	1				0,002		
130	1316.304.189	42562883	SYNCHORING	1			ZF-BK 144	0,000		
140	1316.304.190	500054122	CLUTCH BODY	1		Z00012049010	ZF-BK 144 O	0,000		
200	1316.302.066	42534644	HELICAL GEAR	1			ENTHALT.IN 1316 302 026(1)	0,000		
230	0750.117.732	02991733	TAROLLBEARING	1			85,0X150,0X30,5	0,000		
240	0730.501.598	42534630	RETAINING RING	1			85X4	0,000		
300	1325.302.052	42562885	CONNPLATE	1				0,000		
320	1325.302.029	42562886	GUIDE TUBE	1				0,000		
330	---		SHAFT SEAL	1			55X78X8	0,000		
---	0734.310.435	42562887	SHAFT SEAL	1			55X78X8 FA.CFW	0,000		
340	0636.100.466		COMBISCREW	1		Z00009178210	M8X22	0,000		
350	0636.100.466		COMBISCREW	1		Z00009178210	M8X22	0,000		
360	0636.100.466		COMBISCREW	1		Z00009178210	M8X22	0,000		
370	0636.100.466		COMBISCREW	1		Z00009178210	M8X22	0,000		
400	---		SHIM	1			H= 0,90- 2,40(ABSTUFUNG:0,05MM)	0,000		
---	2050.309.094	93193565	SHIM	1			A=2,2 IN 2050 309 090 C45E WW.F500 ZFN410	0,000		
---	0730.007.489	93193566	SHIM	1			A=2,15 IN 2050 309 090(2)	0,000		

Parts list

Page 2 from 5

Material number: 1356.001.031

16 S 2220 TD / IVECO

Plate: 161.02.05-1

Material-assembly-group-no: 1356.102.008



Pos.	Material number	Customer material	Name	Quantity	ME	Amend. no.	Techn. Info.	Weight	Rep kit	Alternative material
---	0730.007.488	93193567	SHIM	1			A=2,10 IN 2050 309 090(2)	0,000		
---	0730.007.487	93193568	SHIM	1			A=2,05 IN 2050 309 090(2)	0,000		
---	0730.007.486	93193569	SHIM	1			A=2,00 IN 2050 309 090(2)	0,000		
---	0730.007.485	93193570	SHIM	1			A=1,95 IN 2050 309 090(2)	0,000		
---	0730.007.484	93193571	SHIM	1			A=1,90 IN 2050 309 090(2)	0,000		
---	0730.007.483	93193572	SHIM	1			A=1,85 IN 2050 309 090(2)	0,000		
---	0730.007.482	93193573	SHIM	1			A=1,80 IN 2050 309 090(2)	0,000		
---	0730.007.481	93193574	SHIM	1			A=1,75 IN 2050 309 090(2)	0,000		
---	0730.007.480	93193575	SHIM	1			A=1,70 IN 2050 309 090(2)	0,000		
---	0730.007.479	93193576	SHIM	1			A=1,65 IN 2050 309 090(2)	0,000		
---	0730.007.136	93194008	SHIM	1			A=1,60 IN 2050 309 090(2)	0,000		
---	0730.007.135	93194009	SHIM	1			A=1,55 IN 2050 309 090(2)	0,000		
---	0730.007.134	93194010	SHIM	1			A=1,50 IN 2050 309 090(2)	0,000		
---	0730.007.133	93194011	SHIM	1			A=1,45 IN 2050 309 090(2)	0,000		
---	0730.007.132	93194012	SHIM	1			A=1,40 IN 2050 309 090(2)	0,000		
---	0730.007.131	93194013	SHIM	1			A=1,35 IN 2050 309 090(2)	0,000		
---	0730.007.130	93194014	SHIM	1			A=1,30 IN 2050 309 090(2)	0,000		

Parts list

Page 3 from 5

Material number: 1356.001.031

16 S 2220 TD / IVECO

Plate: 161.02.05-1

Material-assembly-group-no: 1356.102.008



Pos.	Material number	Customer material	Name	Quantity	ME	Amend. no.	Techn. Info.	Weight	Rep kit	Alternative material
---	0730.007.129	93194015	SHIM	1			A=1,25 IN 2050 309 090(2)	0,000		
---	2050.309.034	02962362	SHIM	1			A=1,2 IN 2050 309 090 C45E WW.F500 ZFN410	0,000		
---	0730.007.128	93194017	SHIM	1			A=1,15 IN 2050 309 090(2)	0,000		
---	0730.007.127	93194018	SHIM	1			A=1,10 IN 2050 309 090(2)	0,000		
---	0730.007.126	93194019	SHIM	1			A=1,05 IN 2050 309 090(2)	0,000		
---	2050.309.065	02962363	SHIM	1			A=1,0 IN 2050 309 090 C45E WW.F500 ZFN410	0,000		
---	0730.005.749	93156406	SHIM	1			A=0,95 IN 2050 309 090(2)	0,000		
---	0730.005.748	93156407	SHIM	1			A=0,90 IN 2050 309 090(2)	0,000		
---	0730.301.503		SHIM	1			h=2,25	0,000		
---	0730.301.504		SHIM	1			h=2,30	0,000		
---	0730.301.505		SHIM	1			h=2,35	0,000		
---	0730.301.506		SHIM	1			h=2,40	0,000		
420	---		SHIM	1			H= 1,85- 3,25(ABSTUFUNG:0,05MM)	0,000		
---	0730.112.938	500053180	SHIM	1		C01007375C10	A=3,25	0,000		
---	0730.112.937	500053183	SHIM	1		C01007375C10	A=3,20	0,000		
---	0730.112.936	500053182	SHIM	1		C01007375C10	A=3,15	0,000		
---	0730.112.935	5500053181	SHIM	1		C01007375C10	A=3,10	0,000		
---	0730.106.860	93156422	SHIM	1		C01007375C10	A=3,05 IN 0730 106 904(2)	0,000		
---	0730.106.917	93156423	SHIM	1			A=3,00 IN 0730 106 904(2)	0,000		
---	0730.106.916	93156424	SHIM	1			A=2,95 IN 0730 106 904(2)	0,000		
---	0730.106.915	93156425	SHIM	1			A=2,90 IN 0730 106 904(2)	0,000		

Parts list

Page 4 from 5

Material number: 1356.001.031

16 S 2220 TD / IVECO

Plate: 161.02.05-1

Material-assembly-group-no: 1356.102.008



Pos.	Material number	Customer material	Name	Quantity	ME	Amend. no.	Techn. Info.	Weight	Rep kit	Alternative material
---	0730.106.914	93156426	SHIM	1			A=2,85 IN 0730 106 904(2)	0,000		
---	0730.106.913	93156427	SHIM	1			A=2,80 IN 0730 106 904(2)	0,000		
---	0730.106.912	93156428	SHIM	1			A=2,75 IN 0730 106 904(2)	0,000		
---	0730.106.911	93156429	SHIM	1			A=2,70 IN 0730 106 904(2)	0,000		
---	0730.106.910	93156430	SHIM	1			A=2,65 IN 0730 106 904(2)	0,000		
---	0730.106.909	93156431	SHIM	1			A=2,60 IN 0730 106 904(2)	0,000		
---	0730.106.908	93156432	SHIM	1			A=2,55 IN 0730 106 904(2)	0,000		
---	0730.100.799	93156433	SHIM	1			A=2,50 IN 0730 106 904(2)	0,000		
---	0730.100.800	93156434	SHIM	1			A=2,45 IN 0730 106 904(2)	0,000		
---	0730.100.801	93156435	SHIM	1			A=2,40 IN 0730 106 904(2)	0,000		
---	0730.100.802	93156436	SHIM	1			A=2,35 IN 0730 106 904(2)	0,000		
---	0730.100.803	93156437	SHIM	1			A=2,30 IN 0730 106 904(2)	0,000		
---	0730.101.466	93156438	SHIM	1			A=2,25 IN 0730 106 904(2)	0,000		
---	0730.101.467	93156439	SHIM	1			A=2,20 IN 0730 106 904(2)	0,000		
---	0730.101.468	93156440	SHIM	1			A=2,15 IN 0730 106 904(2)	0,000		
---	0730.101.469	93156441	SHIM	1			A=2,10 IN 0730 106 904(2)	0,000		
---	0730.101.470	93156442	SHIM	1			A=2,05 IN 0730 106 904(2)	0,000		

Parts list

Page 5 from 5

Material number: 1356.001.031

16 S 2220 TD / IVECO

Plate: 161.02.05-1

Material-assembly-group-no: 1356.102.008



Pos.	Material number	Customer material	Name	Quantity	ME	Amend. no.	Techn. Info.	Weight	Rep kit	Alternative material
---	0730.101.471	93156443	SHIM	1			A=2,00 IN 0730 106 904(2)	0,000		
---	0730.106.907	60173696	SHIM	1			A=1,95 IN 0730 106 904(2)	0,000		
---	0730.106.906	93156445	SHIM	1			A=1,90 IN 0730 106 904(2)	0,000		
---	0730.106.905	93156446	SHIM	1			A=1,85 IN 0730 106 904(2)	0,000		
440	0501.324.454	42562889	GASKET	1		C01005568F10		0,000		
500	0636.102.270	42564260	HEXAGON BOLT	1		Z00009177410	M10X60	0,000		
510	0636.102.270	42564260	HEXAGON BOLT	1		Z00009177410	M10X60	0,000		
520	0636.102.270	42564260	HEXAGON BOLT	1		Z00009177410	M10X60	0,000		
530	0636.102.270	42564260	HEXAGON BOLT	1		Z00009177410	M10X60	0,000		
540	0636.102.270	42564260	HEXAGON BOLT	1		Z00009177410	M10X60	0,000		
550	0636.102.270	42564260	HEXAGON BOLT	1		Z00009177410	M10X60	0,000		
560	0636.102.270	42564260	HEXAGON BOLT	1		Z00009177410	M10X60	0,000		
570	0636.102.270	42564260	HEXAGON BOLT	1		Z00009177410	M10X60	0,000		
580	0636.102.270	42564260	HEXAGON BOLT	1		Z00009177410	M10X60	0,000		
590	0636.102.270	42564260	HEXAGON BOLT	1		Z00009177410	M10X60	0,000		
600	0636.102.270	42564260	HEXAGON BOLT	1		Z00009177410	M10X60	0,000		
610	0636.102.270	42564260	HEXAGON BOLT	1		Z00009177410	M10X60	0,000		
620	0636.102.270	42564260	HEXAGON BOLT	1		Z00009177410	M10X60	0,000		
630	0636.102.270	42564260	HEXAGON BOLT	1		Z00009177410	M10X60	0,000		
640	0636.102.270	42564260	HEXAGON BOLT	1		Z00009177410	M10X60	0,000		
650	0636.102.270	42564260	HEXAGON BOLT	1		Z00009177410	M10X60	0,000		
660	0636.102.270	42564260	HEXAGON BOLT	1		Z00009177410	M10X60	0,000		
670	0636.102.270	42564260	HEXAGON BOLT	1		Z00009177410	M10X60	0,000		

Plant

Page 1 from 1

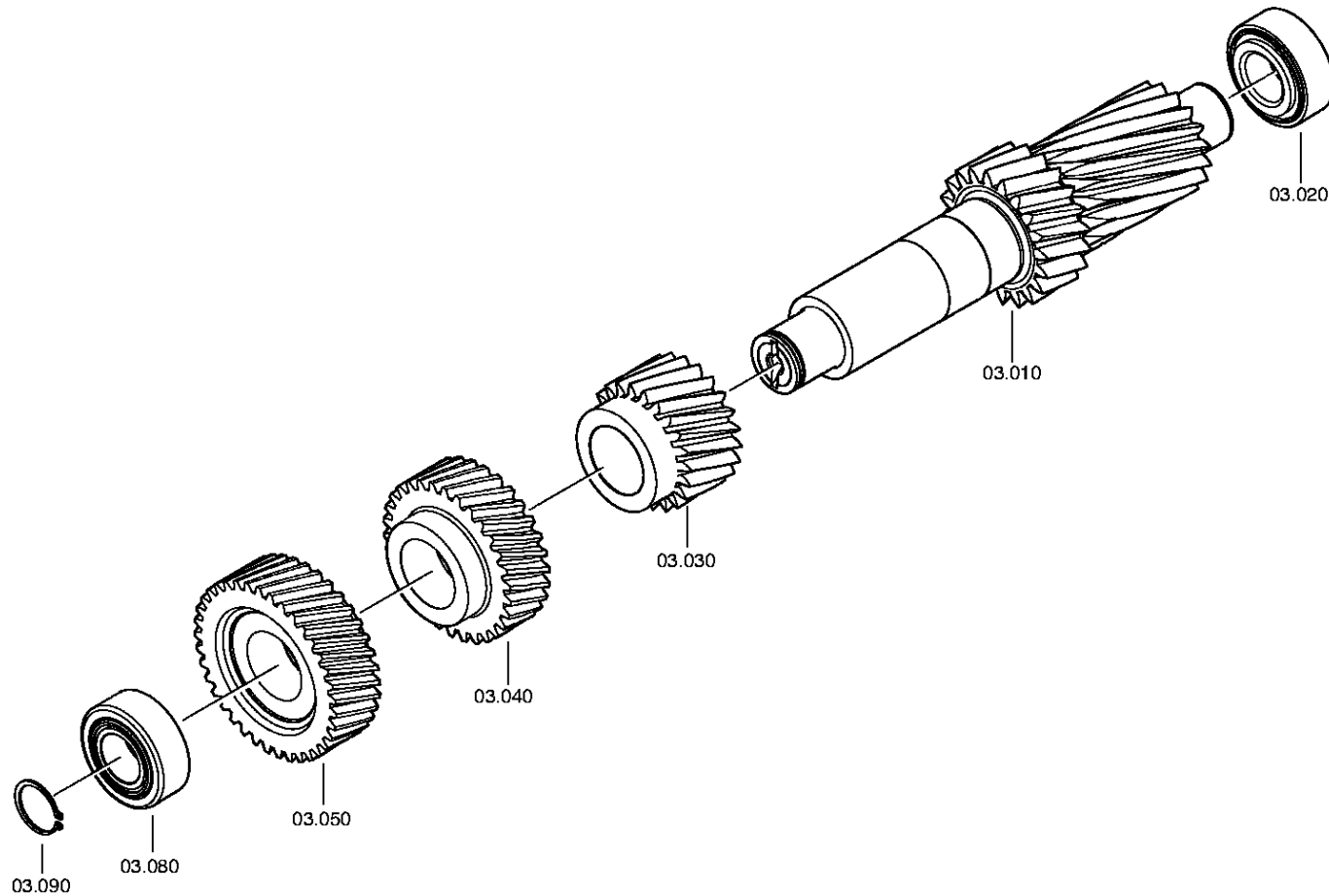
Material number: 1356.001.031

Plate: 161.03.02-1

Material-assembly-group-no: 1356.103.003

16 S 2220 TD / IVECO

LAYSHAFT



Parts list

Page 1 from 1

Material number: 1356.001.031

16 S 2220 TD / IVECO

Plate: 161.03.02-1

Material-assembly-group-no: 1356.103.003



Pos.	Material number	Customer material	Name	Quantity	ME	Amend. no.	Techn. Info.	Weight	Rep kit	Alternative material
10	1316.303.033	93194079	LAYSHAFT	1			ENTHALT.IN 1316 303 032(0)	0,000		
20	0750.117.009	7982090	TAROLLBEARING	1			49,2X103,1X43,6	0,000		
30	1316.303.005	93191181	HELICAL GEAR	1			3G/Z26 IN 1312 303 018(1)	0,000		
40	1316.303.065	42532748	HELICAL GEAR	1			Z35 IN 1312 303 013(1)	0,000		
50	1316.303.030	93194080	HELICAL GEAR	1			KON/Z39 IN 1316 303 029(1)	0,000		
80	0750.117.009	7982090	TAROLLBEARING	1			49,2X103,1X43,6	0,000		
90	---		RETAINING RING	1			H= 2,40- 3,00(ABSTUFUNG:0,05MM)	0,000		
---	0630.531.065	8870267ED12-0646	RETAINING RING	1			50X3	16		
---	0630.501.111	93156025	RETAINING RING	1			50X2,95	0,000		
---	0630.501.112	2965718	RETAINING RING	1			50X2,9	0,000		
---	0630.501.113	93156026	RETAINING RING	1			50X2,85	0,000		
---	0630.501.114	2965719	RETAINING RING	1			50X2,8	0,000		
---	0630.501.115	93156027	RETAINING RING	1			50X2,75	0,000		
---	0630.501.116	2966802	RETAINING RING	1			50X2,7	0,000		
---	0630.501.117	02965720	RETAINING RING	1			50X2,65	0,000		
---	0630.501.118	2966803	RETAINING RING	1			50X2,6	0,000		
---	0630.501.160	93156028	RETAINING RING	1			50X2,55	0,000		
---	0630.531.064		RETAINING RING	1			50X2,5	0,100		
---	0630.501.159	93156029	RETAINING RING	1			50X2,45	0,000		
---	0630.501.148	2966807	RETAINING RING	1			50X2,4	0,000		

Plant

Page 1 from 1

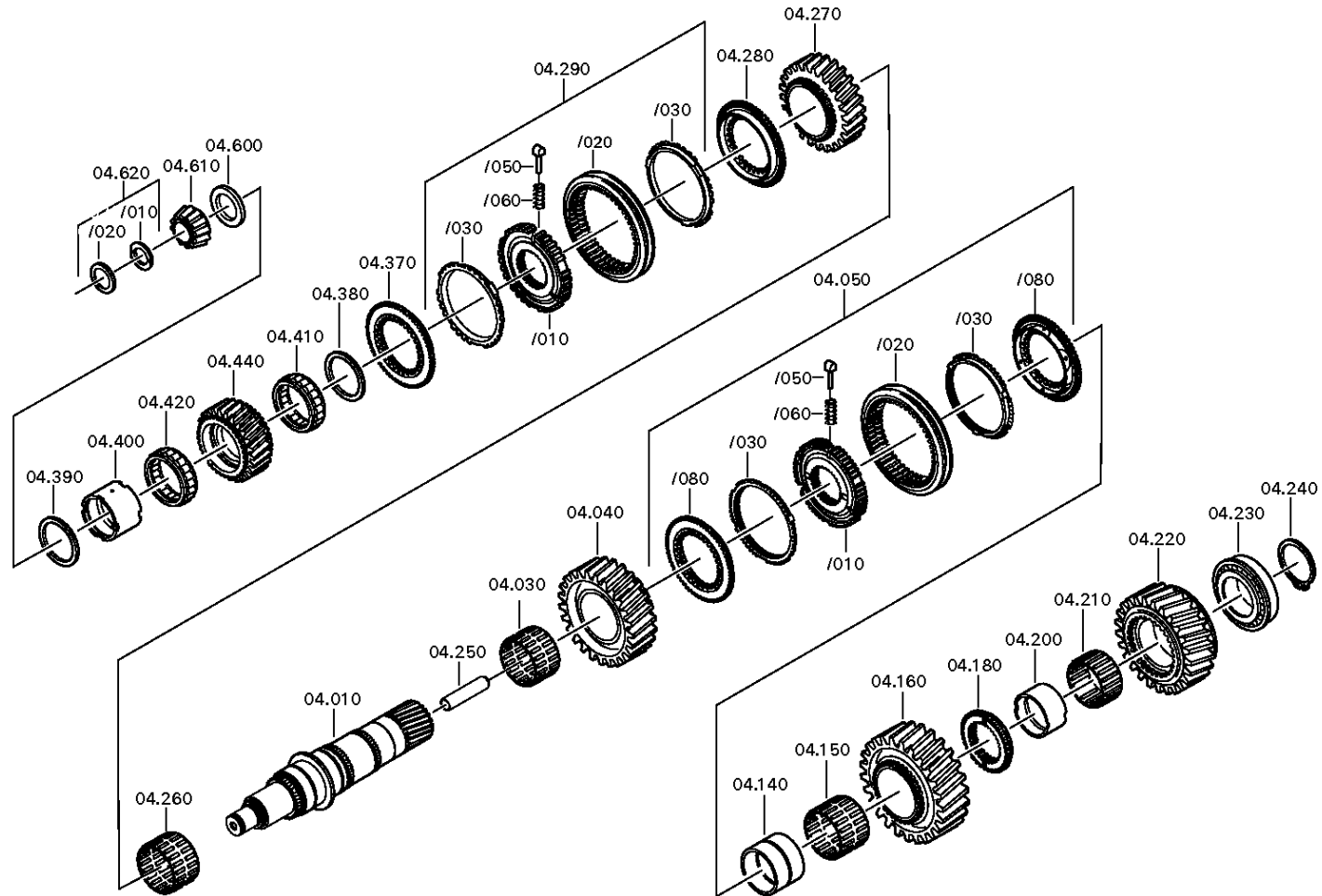
Material number: 1356.001.031

Plate: 161.04.05-1

Material-assembly-group-no: 1356.104.003

16 S 2220 TD / IVECO

MAIN SHAFT



Parts list

Page 1 from 3

Material number: 1356.001.031

16 S 2220 TD / IVECO

Plate: 161.04.05-1

Material-assembly-group-no: 1356.104.003



Pos.	Material number	Customer material	Name	Quantity	ME	Amend. no.	Techn. Info.	Weight	Rep kit	Alternative material
10	1316.304.132	42535311	MAIN SHAFT	1				0,000		
30	0750.115.303	93156451	NEEDLE CAGE	1			92,0X100,0X63,0	0,000		
40	1316.304.002	93191184	HELICAL GEAR	1			2G/Z38 IN 1316 304 005(1)	0,000		
50	1356.204.007		SYNCHRONIZER	1		Z00006981310	KPL.1+2G*BK160 MOLYBDAEN*ECOSPLIT 3+4	0,000		
/10	1356.304.022	42563274	SYNCHROBODY	1		Z00006981313		0,000		
/20	1356.304.024	42563275	SLIDING SLEEVE	1		Z00006981313	ZF-BK 160	0,000		
/30	1316.304.170	42549966	SYNCHRO RING	2		Z00006981313		0,000		
/50	1297.304.436		PRESSURE PIECE	3		Z00006981313		0,004		
/60	0732.040.409	8866134	COMPRSPRING	3		Z00006981313		0,002		
/80	1316.304.156	42543323	CLUTCH BODY	2		Z00006981313		0,000		
140	1312.304.084	93156461	BUSH	1			ENTHALT.IN 1312 304 007(2)	0,000		
150	0750.115.327	93156462	NEEDLE CAGE	1			96,0X104,0X72,0	0,000		
160	1316.304.010	93191185	HELICAL GEAR	1			1G/Z47 IN 1312 304 033(0)	0,000		
180	1312.304.124	93191186	CLUTCH BODY	1			ENTHALT.IN 1312 304 055(0)	0,000		
200	1316.304.133	42534705	BUSH	1			A=50,00 IN 1312 304 010(2)	0,000		
210	0750.115.326	93156466	NEEDLE CAGE	1			90,0X98,0X50,0	0,000		
220	---		HELICAL GEAR	1				0,000		
---	1316.304.012	93191187	HELICAL GEAR	1			RG*Z44 IN 1312 304 125(0)	0,000		
230	0750.117.678		TAROLLEBEREING	1			80,0X140,0X36,5	0,000		
240	---		RETAINING RING	1			H= 3,00- 3,65(ABSTUFUNG:0,05MM)	0,000		
---	0630.501.316	93156467	RETAINING RING	1			80X3,5	0,000		
---	0630.501.336	93156468	RETAINING RING	1			80X3,45	0,000		
---	0630.501.315	93156469	RETAINING RING	1			80X3,4	0,000		
---	0630.501.335	93156470	RETAINING RING	1			80X3,35	0,000		
---	0630.501.314	93156471	RETAINING RING	1			80X3,3	0,000		

Parts list

Page 2 from 3

Material number: 1356.001.031

16 S 2220 TD / IVECO

Plate: 161.04.05-1

Material-assembly-group-no: 1356.104.003



Pos.	Material number	Customer material	Name	Quantity	ME	Amend. no.	Techn. Info.	Weight	Rep kit	Alternative material
---	0630.501.334	93156472	RETAINING RING	1			80X3,25	0,000		
---	0630.501.313	93156473	RETAINING RING	1			80X3,2	0,000		
---	0630.501.333	93156474	RETAINING RING	1			80X3,15	0,000		
---	0630.501.312	93156475	RETAINING RING	1			80X3,1	0,000		
---	0630.501.337	93156485	RETAINING RING	1			80X3,55	0,000		
---	0630.501.338	93156486	RETAINING RING	1			80X3,6	0,000		
---	0630.501.339	93156487	RETAINING RING	1			80X3,65	0,000		
250	1312.304.150	93193506	TUBE	1				0,000		
260	0750.115.303	93156451	NEEDLE CAGE	1			92,0X100,0X63,0	0,000		
270	1316.304.008	93191188	HELICAL GEAR	1			3G/Z34 IN 1312 304 135(1)	0,000		
280	1356.304.025	42562890	CLUTCH BODY	1		Z00005152413		0,000		
290	1356.204.005		SYNCHRONIZER	1		Z00005152413	3+4G*BK144 CARBON*MIT DRUCKSTCK.HALTENASEN	0,000		
/10	1356.304.019	42562891	SYNCHROBODY	1		Z00005152410		0,000		
/20	1356.304.023	42562892	SLIDING SLEEVE	1		Z00005152410	ZF-BK 144	0,000		
/30	1316.304.196	42562893	SYNCHRORING	2		Z00005152410		0,000		
/50	1297.304.436		PRESSURE PIECE	3		Z00005152410		0,004		
/60	0732.040.409	8866134	COMPRSPRING	3		Z00005152410		0,002		
370	1356.304.025	42562890	CLUTCH BODY	1		Z00005152413		0,000		
380	0750.101.158	42535316	THRUST WASHER	1				0,000		
390	0750.101.158	42535316	THRUST WASHER	1				0,000		
400	0750.119.124	42535317	INNER RING	1			67,0X77,0X66,1	0,000		
410	0750.115.531	2991925	ROLLER CAGE	1			77,0X101,0X29,0	0,000		
420	0750.115.531	2991925	ROLLER CAGE	1			77,0X101,0X29,0	0,000		
440	1316.304.103	42532747	HELICAL GEAR	1			Z32	0,000		
600	---		AXIAL WASHER	1			H= 7,30- 8,00(ABSTUFUNG:0,10MM)	0,000		
---	1315.304.048		AXIAL WASHER	1			A=8,00 IN 1315 304 042(2)	0,000		
---	1315.304.047	93191194	AXIAL WASHER	1			A=7,90 IN 1315 304 042(2)	0,000		

Parts list

Page 3 from 3

Material number: 1356.001.031

16 S 2220 TD / IVECO

Plate: 161.04.05-1

Material-assembly-group-no: 1356.104.003



Pos.	Material number	Customer material	Name	Quantity	ME	Amend. no.	Techn. Info.	Weight	Rep kit	Alternative material
---	1315.304.046		AXIAL WASHER	1			A=7,80 IN 1315 304 042(2)	0,000		
---	1315.304.045	93191195	AXIAL WASHER	1			A=7,70 IN 1315 304 042(2)	0,000		
---	1315.304.044		AXIAL WASHER	1			A=7,60 IN 1315 304 042(2)	0,000		
---	1315.304.043	93191196	AXIAL WASHER	1			A=7,50 IN 1315 304 042(2)	0,000		
---	1315.304.085		AXIAL WASHER	1			A=7,40 IN 1315 304 042(2)	0,000		
---	1315.304.086		AXIAL WASHER	1			A=7,30 IN 1315 304 042(2)	0,000		
610	0750.117.232	93156500	TAROLLBEARING	1			42,0X40,3	0,000		
620	1312.204.040		SPLIT RING	1			GESTANZT	0,000		
/10	---		SPLIT RING	2			H= 4,60- 5,00(ABSTUFUNG:0,10MM)	0,000		
---	0730.107.023	93156502	SPLIT RING	2			A=5,00 IN 0730 106 207(2)	0,000		
---	0730.107.022	93156503	SPLIT RING	2			A=4,90 IN 0730 106 207(2)	0,000		
---	0730.107.021	93156504	SPLIT RING	2			A=4,80 IN 0730 106 207(2)	0,000		
---	0730.107.020	93156505	SPLIT RING	2			A=4,70 IN 0730 106 207(2)	0,000		
---	0730.107.019	93156506	SPLIT RING	2			A=4,60 IN 0730 106 207(2)	0,000		
/20	0730.062.781	93156515	RETAINING RING	1			ENTHALT.IN 0730 062 636(2)	0,000		

Plant

Page 1 from 1

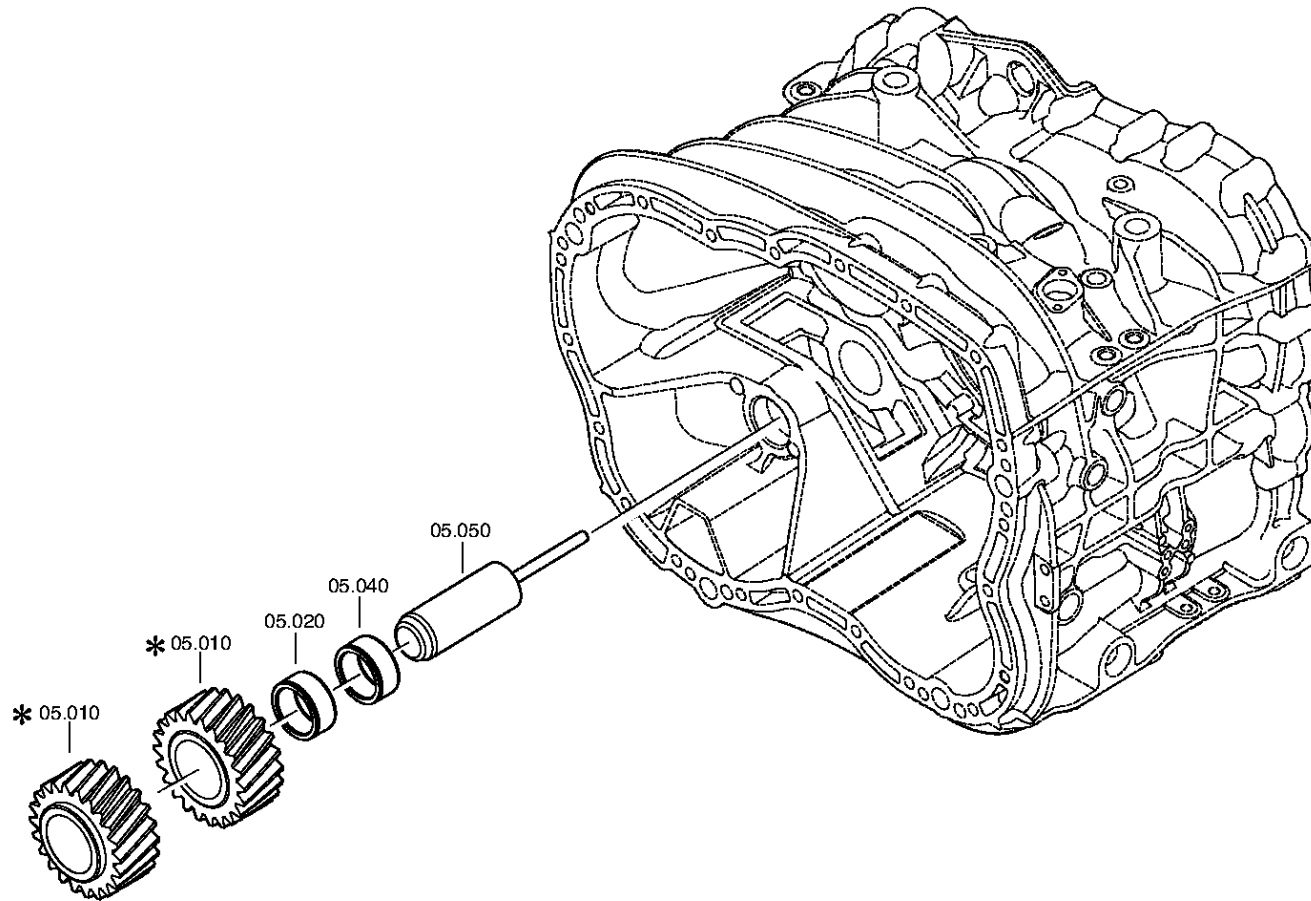
Material number: 1356.001.031

Plate: 161.05.01-1

Material-assembly-group-no: 1325.105.001

16 S 2220 TD / IVECO

RETURN



Parts list

Page 1 from 1

Material number: 1356.001.031

16 S 2220 TD / IVECO

Plate: 161.05.01-1

Material-assembly-group-no: 1325.105.001



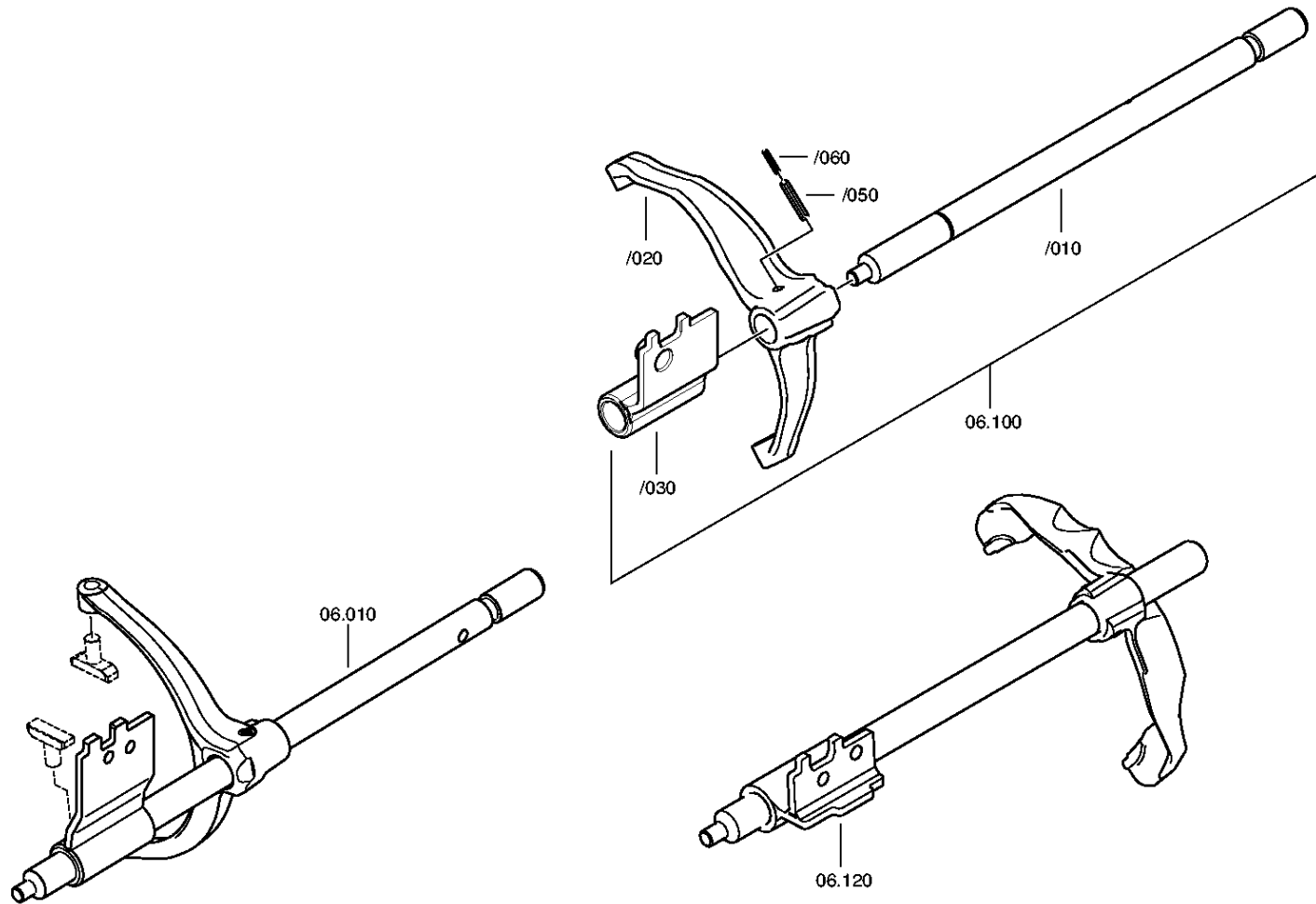
Pos.	Material number	Customer material	Name	Quantity	ME	Amend. no.	Techn. Info.	Weight	Rep kit	Alternative material
10	---		REVERSE IDLER GEAR	1		C01006413F10		0,000		
---	1316.305.001	93191173	REVERSE IDLER GEAR	1			Z22 IN 1295 305 050(1)	0,000		
---	1316.305.008		REVERSE IDLER GEAR	1			Z22 IN 1295 305 050(1)	0,000		
20	0750.115.369	01905368	NEEDLE CAGE	1			45,0X57,0X25,0	0,000		
40	0750.115.369	01905368	NEEDLE CAGE	1			45,0X57,0X25,0	0,000		
50	1316.201.030		REVERSE IDLER SHAFT	1			KPL.16S221*SG*L=102	0,000		
/120	0631.329.295	93192490	SLOTPIN	1			10X118	0,000		

Plant

Page 1 from 2

Material number: 1356.001.031
Plate: 161.06.04-1
GEARSHIFT SYST

16 S 2220 TD / IVECO
GEARSHIFT SYST

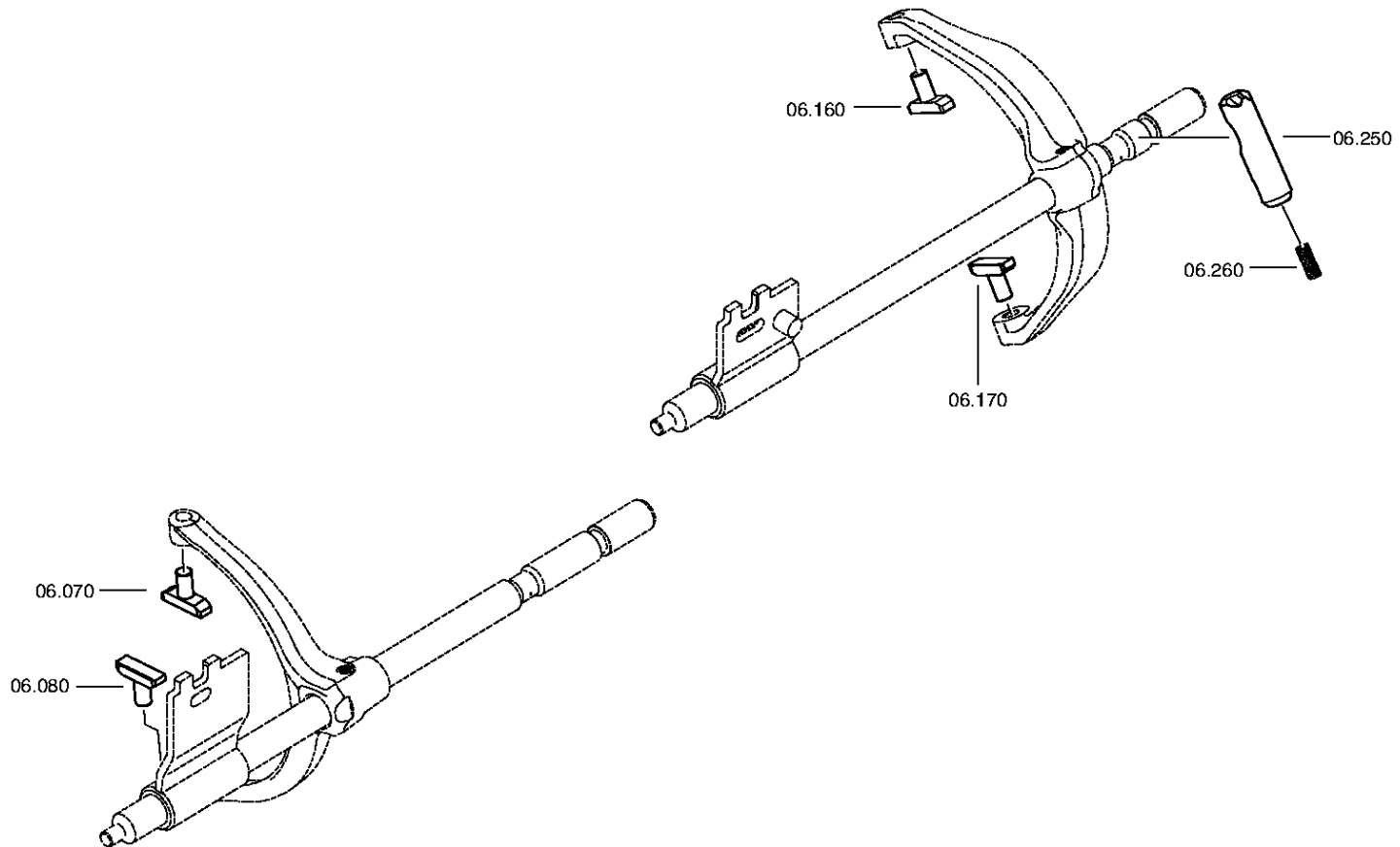


Plant

Page 2 from 2

Material number: 1356.001.031
Plate: 161.06.02-1
GEARSHIFT SYST

16 S 2220 TD / IVECO
GEARSHIFT SYST



Parts list

Page 1 from 1

Material number: 1356.001.031

16 S 2220 TD / IVECO

Plate: 161.06.04-1

Material-assembly-group-no: 1356.106.001



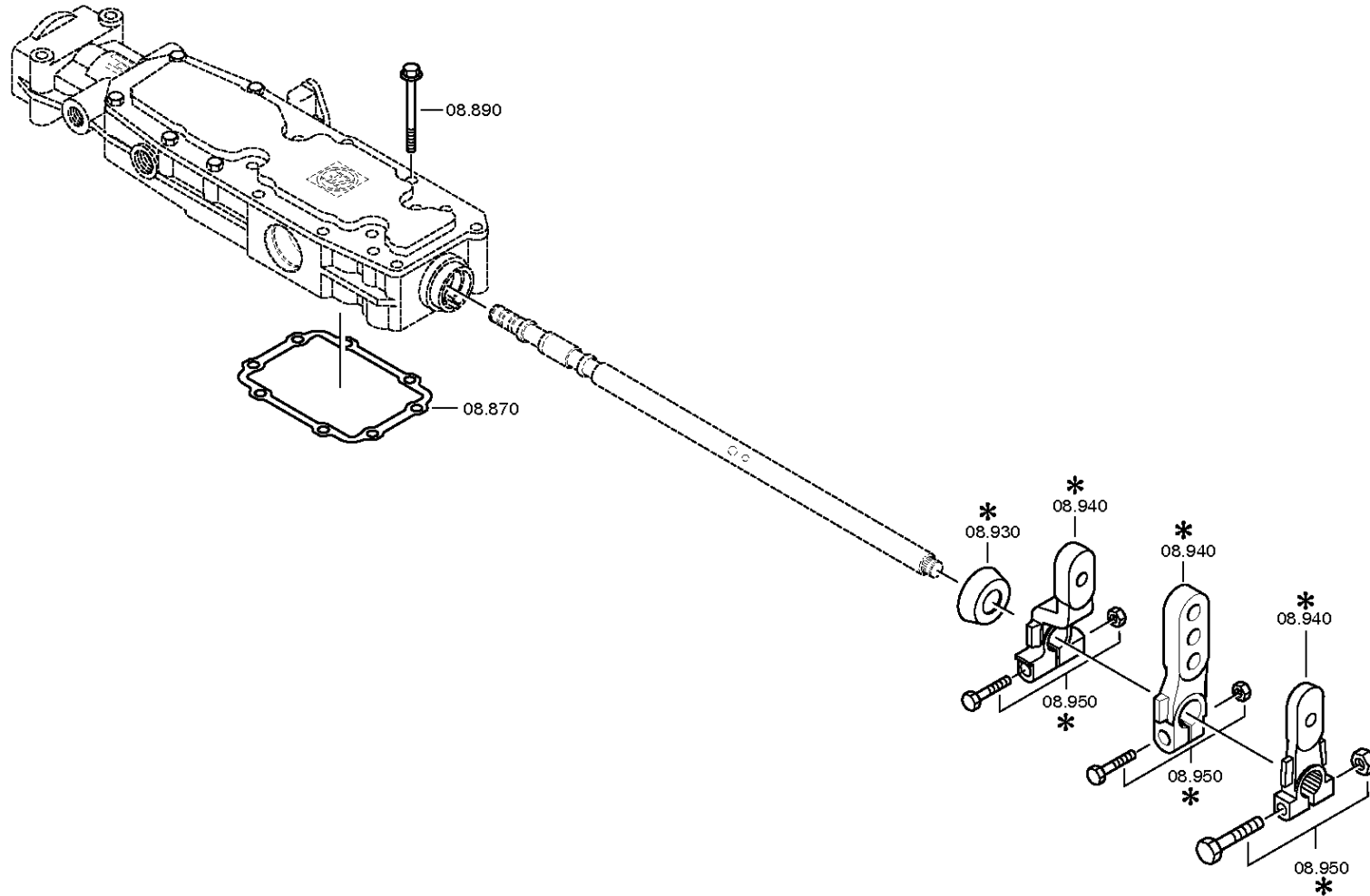
Pos.	Material number	Customer material	Name	Quantity	ME	Amend. no.	Techn. Info.	Weight	Rep kit	Alternative material
10	1356.206.004	42562894	GEAR SHIFT RAIL	1			LANG MIT GANGERKENNUNG DAF	0,000		
70	1316.306.015	42537353	SLIDING PAD	1				0,000		
80	1316.306.015	42537353	SLIDING PAD	1				0,000		
100	1356.206.002	42562936	GEAR SHIFT RAIL	1			KPL. *LANG	0,000		
120	1356.206.001	42562895	GEAR SHIFT RAIL	1			KPL. *LANG	0,000		
160	1316.306.015	42537353	SLIDING PAD	1				0,000		
170	1316.306.015	42537353	SLIDING PAD	1				0,000		
250	1313.306.013	93159630	LOCKING PIN	1				0,000		
260	0732.040.736		COMPRSPRING	1				5,200		

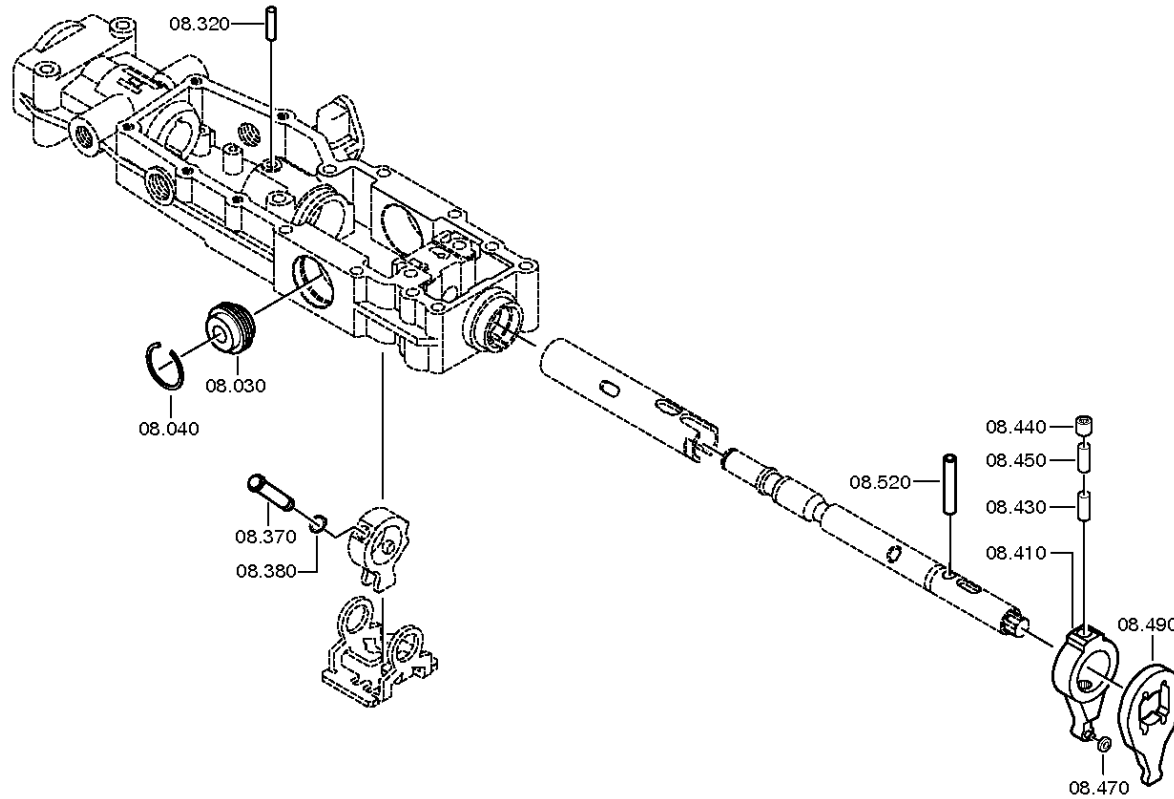
Plant

Page 1 from 5

Material number: 1356.001.031
Plate: 068.07.81-1
GEAR SHIFT SHAFT

16 S 2220 TD / IVECO
GEAR SHIFT HOUSING



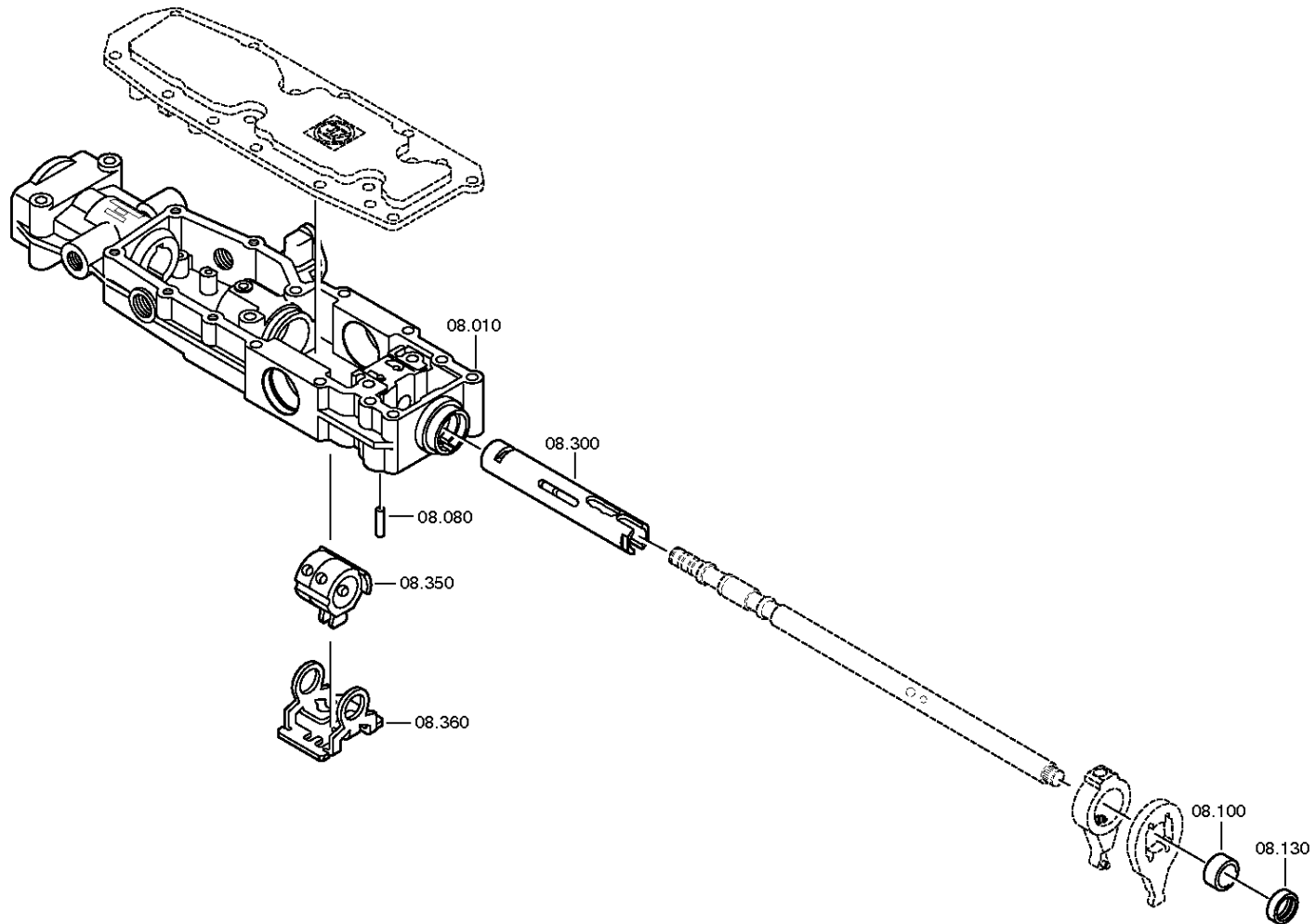


Plant

Page 3 from 5

Material number: 1356.001.031
Plate: 068.07.38-1
GEAR SHIFT SHAFT

16 S 2220 TD / IVECO
GEAR SHIFT HOUSING

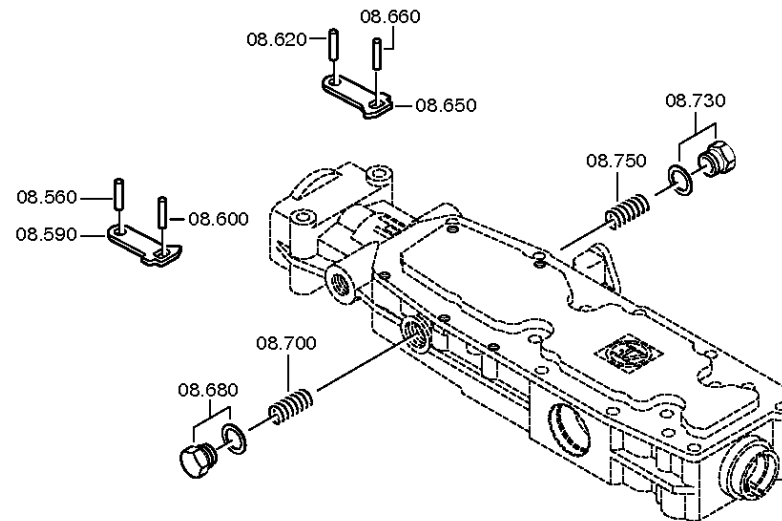


Plant

Page 4 from 5

Material number: 1356.001.031
Plate: 068.07.55-1
GEAR SHIFT SHAFT

16 S 2220 TD / IVECO
GEAR SHIFT HOUSING

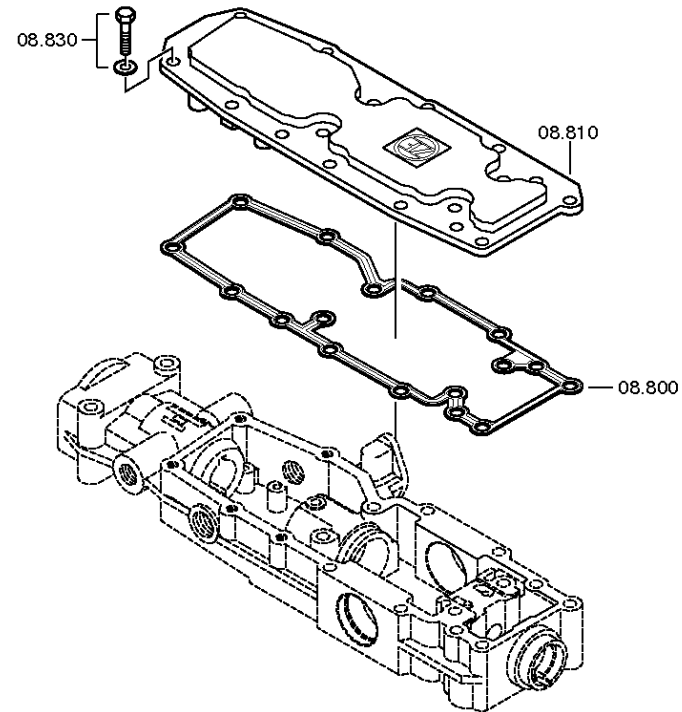


Plant

Page 5 from 5

Material number: 1356.001.031
Plate: 068.07.57-1
GEAR SHIFT SHAFT

16 S 2220 TD / IVECO
GEAR SHIFT HOUSING



Parts list

Page 1 from 2

Material number: 1356.001.031

16 S 2220 TD / IVECO

Plate: 068.07.81-1

Material-assembly-group-no: 1316.108.817



Pos.	Material number	Customer material	Name	Quantity	ME	Amend. no.	Techn. Info.	Weight	Rep kit	Alternative material
10	1315.307.383	42536662	GEAR SHIFT HOUSING	1				0,000		
30	0501.209.212	93193589	DETENT	1		Z00007440210	KPL.	0,000		
40	0630.532.130	93193588	V-RING	1		Z00007440210		0,000		
80	0631.306.123		CYLINDRICAL PIN	1			8X24	10		
100	0730.260.703	42534649	BUSH	1			A=13,70	0,000		
130	0734.309.765		SHAFT SEAL	1			28X42X11 FA.SKT	0,000		
300	1315.307.506		QUILL SHAFT	1				0,000		
320	0731.201.702	42534653	PIN	1		Z00007440210		0,000		
350	1315.307.734	42565938	DRIVER	1				0,000		
360	1315.307.218	42534655	LOCKING PIECE	1				0,000		
370	1316.208.003	42540062	PIN	1		Z00007440210	KPL.	0,000		
380	0630.501.006		RETAINING RING	1		Z00007440210	10X1	0,410		
410	1316.208.002	42535208	VALVE LEVER	1		Z00007440210	KPL.	0,000		
430	0731.201.732	42534658	PIN	1		Z00007440210		0,000		
440	0635.303.019	2991765	NEEDLE BUSH	1		Z00007440210	10X14X15	0,000		
450	0731.201.732	42534658	PIN	1		Z00007440210		0,000		
470	1315.307.226	42534660	ROLLER	1		Z00007440210		0,000		
490	1315.307.292	42534661	LEVER	1		Z00007440210		0,000		
520	0731.201.783		PIN	1				0,000		
560	0631.306.832	7981937	CYLINDRICAL PIN	1			6X20	0,000		
590	1315.307.203	42534662	DETENT LEVER	1				0,000		
600	0631.306.832	7981937	CYLINDRICAL PIN	1			6X20	0,000		
620	0631.306.832	7981937	CYLINDRICAL PIN	1			6X20	0,000		
650	1315.307.203	42534662	DETENT LEVER	1				0,000		
660	0631.306.832	7981937	CYLINDRICAL PIN	1			6X20	0,000		
680	---		SCREW	1		Z00010146310	M22X1,5	0,000		
---	1315.307.736	42565438	SCREW	1		Z00010146312	M22X1,5	0,000		
---	0730.009.515	42536385	SEALING RING	1		Z00010146312	A22X27	0,000		
700	0732.041.500	42492322	COMPRSPRING	1				0,000		
730	---		SCREW	1		Z00010146310	M22X1,5	0,000		
---	1315.307.736	42565438	SCREW	1		Z00010146312	M22X1,5	0,000		
---	0730.009.515	42536385	SEALING RING	1		Z00010146312	A22X27	0,000		
750	0732.041.500	42492322	COMPRSPRING	1				0,000		
800	0501.324.072		GASKET	1		C01003353F10		0,000		

Parts list

Page 2 from 2

Material number: 1356.001.031

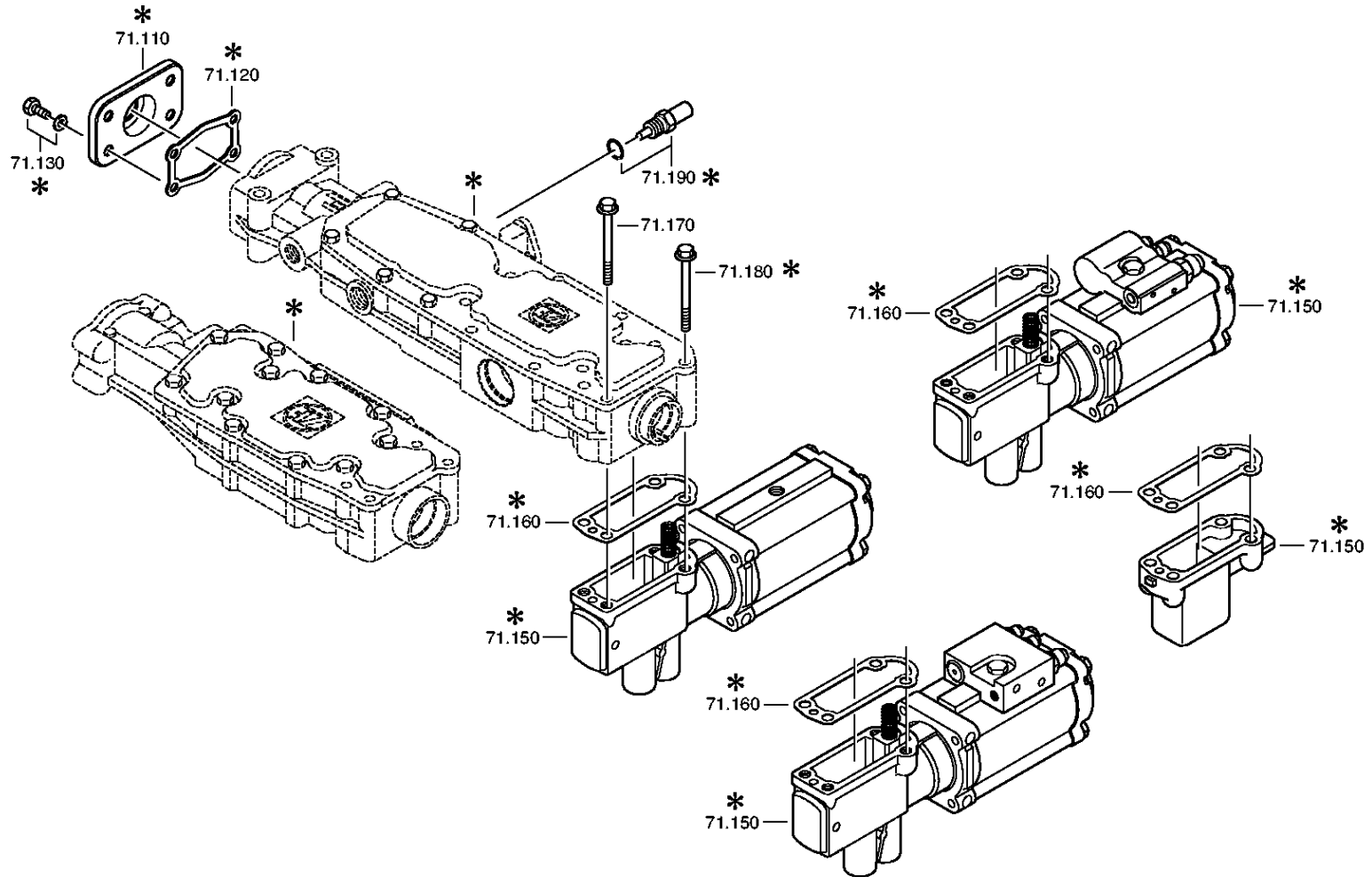
16 S 2220 TD / IVECO

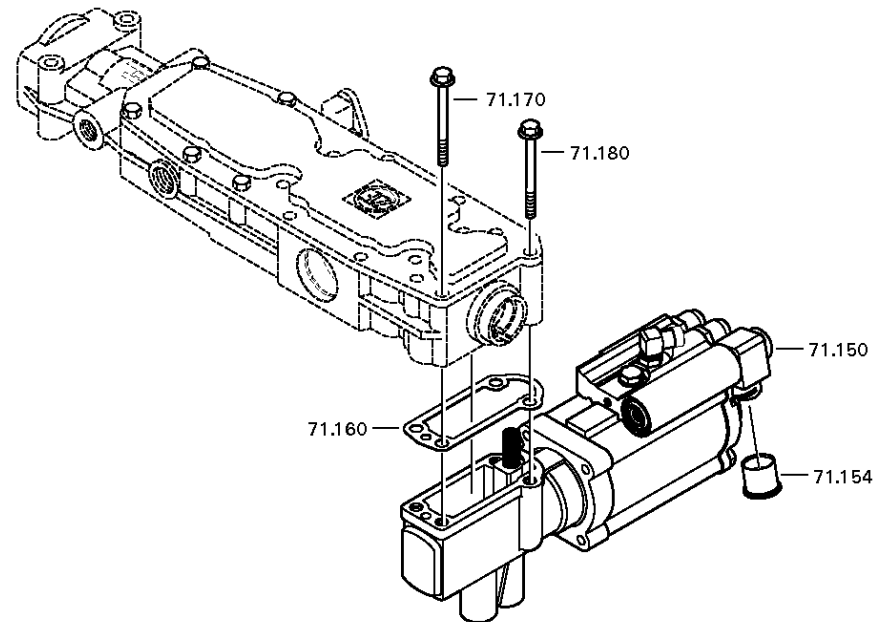
Plate: 068.07.81-1

Material-assembly-group-no: 1316.108.817



Pos.	Material number	Customer material	Name	Quantity	ME	Amend. no.	Techn. Info.	Weight	Rep kit	Alternative material
810	1315.307.286	42534664	COVER	1		C01000020A10		0,000		
830	---		HEXAGON BOLT	5			M8X25	0,000		
---	0636.016.401		HEXAGON BOLT	5			M8X25	0,000		
---	0630.100.295	42564405	WASHER	5		Z00007158414		0,000		
870	1315.307.013	93163873	GASKET	1				0,000		
890	0736.300.137	42563317	HEXAGON BOLT	8		Z00009195410	M8X80 M8X80	0,000		
930	1341.307.104	42560548	PROTECTION CAP	1		C01007034F10		0,000		





Parts list

Page 1 from 1

Material number: 1356.001.031

16 S 2220 TD / IVECO

Plate: 062.08.30-1

Material-assembly-group-no: 1316.171.403



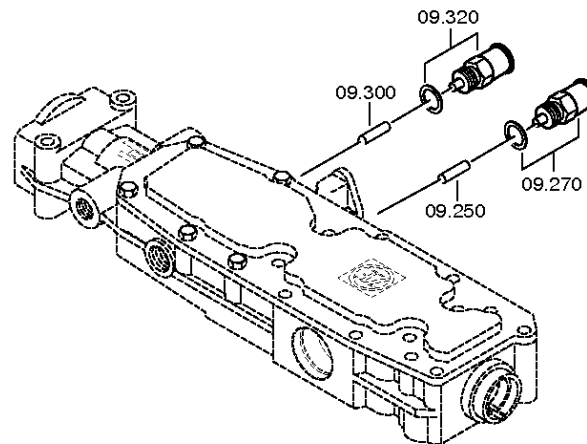
Pos.	Material number	Customer material	Name	Quantity	ME	Amend. no.	Techn. Info.	Weight	Rep kit	Alternative material
110	1341.307.113	425644833	COVER	1		Z00009271410		0,000		
130	---		HEXAGON BOLT	4		Z00007891111	M8X20	0,000		
---	0636.100.796		HEXAGON BOLT	4		Z00007891120	M8X20	0,000		
---	0630.100.295	42564405	WASHER	4		Z00007158414		0,000		
150	0501.218.102		PNEUMSERVOUNIT	1		Z00007440210	KPL. PSE9 MIT EL.SAV6	0,000		
160	1315.307.242	42534670	GASKET	1		Z00007440210		0,000		
170	0736.300.137	42563317	HEXAGON BOLT	2		Z00009195410	M8X80 M8X80	0,000		
180	---		HEXAGON BOLT	2		Z00009195410	M8X80	0,000		
---	0736.300.137	42563317	HEXAGON BOLT	2		Z00009195414	M8X80 M8X80	0,000		

Plant

Page 2 from 2

Material number: 1356.001.031
Plate: 068.09.12-1
CONNECTING PARTS

16 S 2220 TD / IVECO
CONNECTING PARTS



Parts list

Page 1 from 1

Material number: 1356.001.031

16 S 2220 TD / IVECO

Plate: 068.09.01-1

Material-assembly-group-no: 1316.109.022



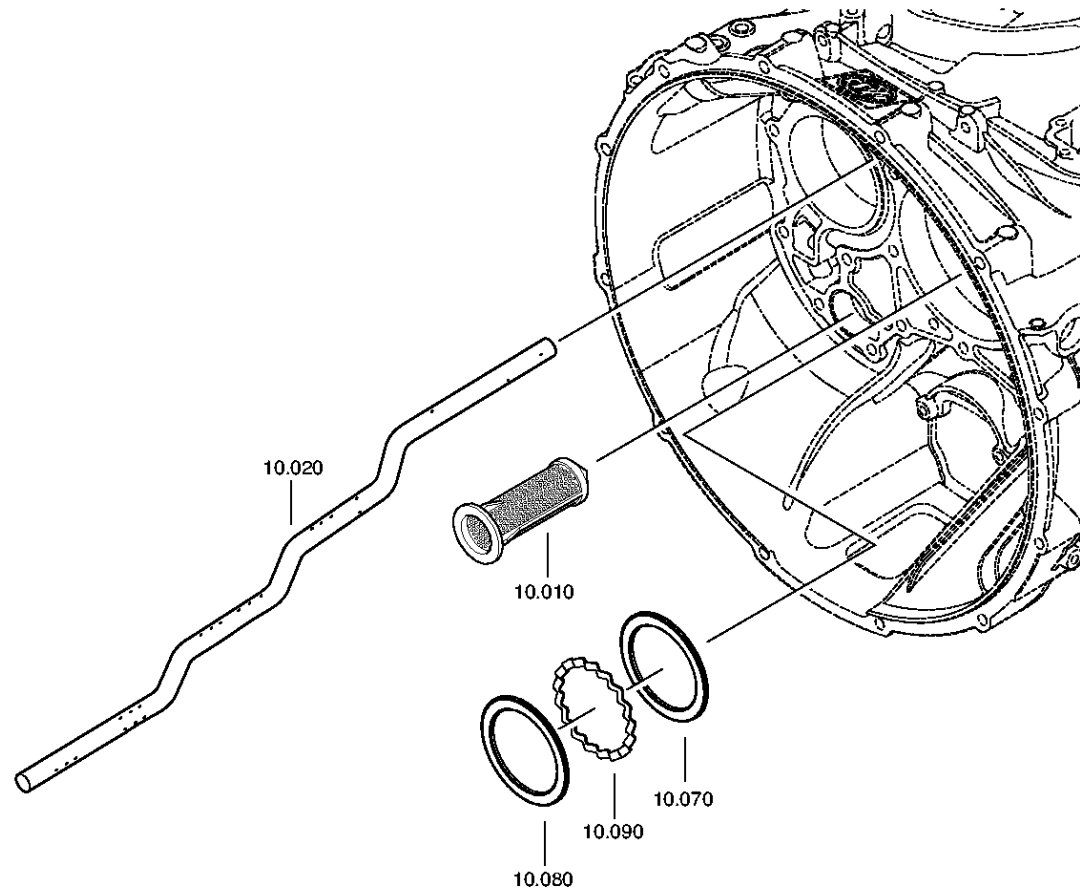
Pos.	Material number	Customer material	Name	Quantity	ME	Amend. no.	Techn. Info.	Weight	Rep kit	Alternative material
10	6038.202.043	42538044	CUT-OFF VALVE	1		C01002143C10	KPL.H-H*ZULUFTDROSSEL 1,55	0,000		
30	0501.209.188	42531515	BALL ROLLER	1			KPL.	0,000		
50	0501.209.188	42531515	BALL ROLLER	1			KPL.	0,000		
70	0634.313.505		O-RING	1			42X3	0,000		
90	---		HEXAGON BOLT	4		Z00007054112	M8X65	0,000		
---	0636.100.519		HEXAGON BOLT	4		Z00007054110	M8X65	0,000		
---	0630.100.295	42564405	WASHER	4		Z00007158414		0,000		
150	---		SCREW	1		Z00010146310	M22X1,5	0,000		
---	1315.307.736	42565438	SCREW	1		Z00010146312	M22X1,5	0,000		
---	0730.009.515	42536385	SEALING RING	1		Z00010146312	A22X27	0,000		
160	1315.307.384	42536663	BOLT	1		C01003958B10	ENTHALT.IN 1250 307 589(2)	0,000		
170	0732.041.612	93191471	COMPRSPRING	1				0,000		
250	0731.201.446	42534673	PIN	1			ENTHALT.IN 0731 201 445(2)	0,000		
270	---		SWITCH	1			OEFF*45N.M*DICHTRING* BAJONETT*SCHUTZKAPPE	0,000		
---	0501.219.856	500056811	SWITCH	1			OEFFNER DIN BAJONETT	0,000		
---	0634.801.062		SEALING RING	1			18X24	0,001		
300	0731.208.230	93193601	PIN	1			A=30,0	0,000		
320	---		SWITCH	1			SCHL*45N.M*DICHTRING* BAJONETT*SCHUTZKAPPE	0,000		
---	0501.210.058	42531807	SWITCH	1			KPL.	0,000		
---	0634.801.062		SEALING RING	1			18X24	0,001		
---	0700.300.427		PROTECTION CAP	1				0,005		

Plant

Page 1 from 2

Material number: 1356.001.031
Plate: 161.10.04-1
PUMP

16 S 2220 TD / IVECO
OIL SUPPLY

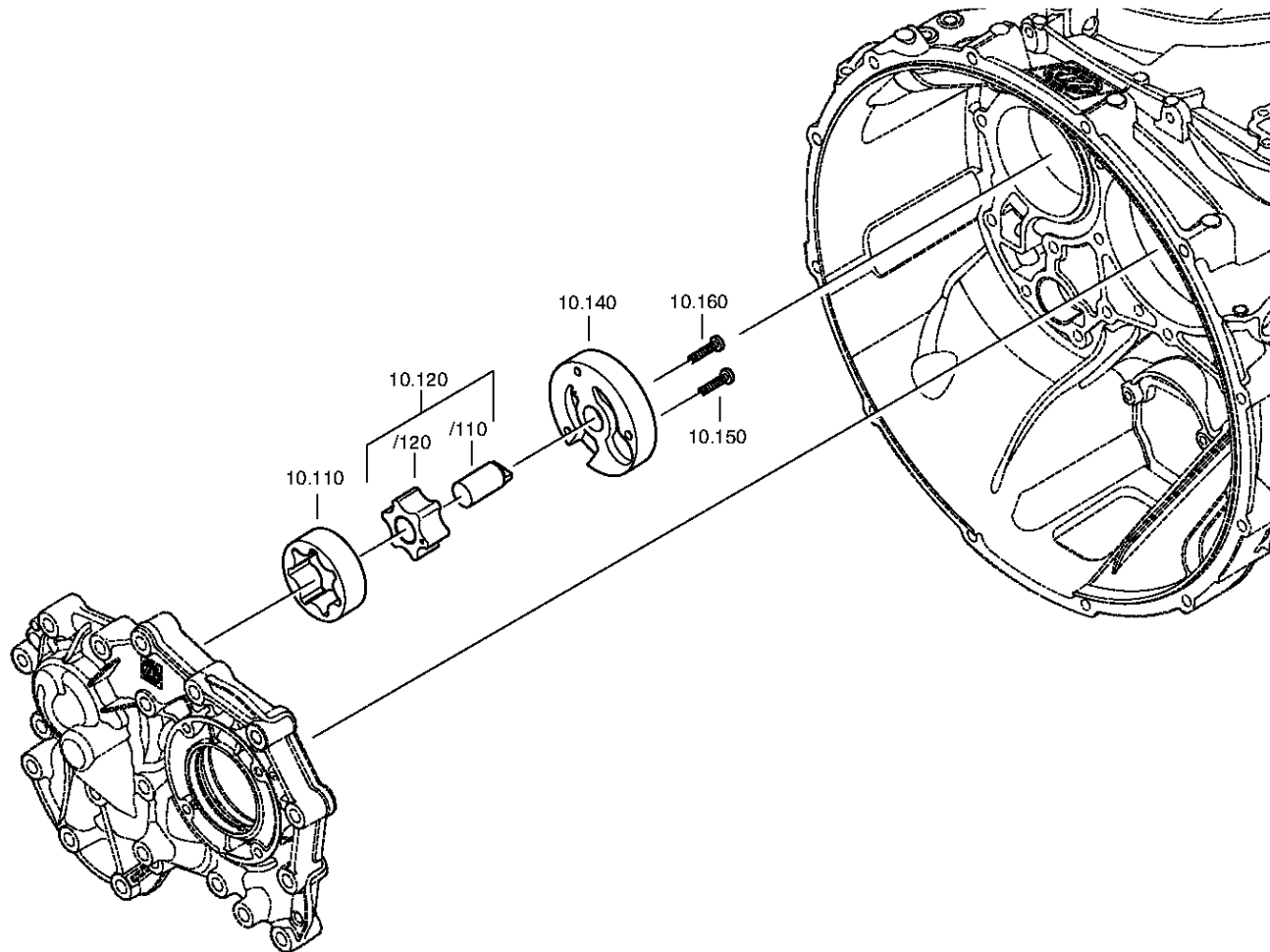


Plant

Page 2 from 2

Material number: 1356.001.031
Plate: 161.10.01-1
PUMP

16 S 2220 TD / IVECO
OIL SUPPLY



Parts list

Page 1 from 1

Material number: 1356.001.031

16 S 2220 TD / IVECO

Plate: 161.10.04-1

Material-assembly-group-no: 1356.110.002



Pos.	Material number	Customer material	Name	Quantity	ME	Amend. no.	Techn. Info.	Weight	Rep kit	Alternative material
10	0501.318.802	42537714	SCREEN INSERT	1				0,000		
20	1356.301.001	42562897	OIL TUBE	1			ECO 4 16G LANG	0,000		
70	0730.300.745	42567715	WASHER	1			A=3,30 A=3,30	0,000		
80	0730.150.766	93191177	WASHER	1				0,000		
90	1315.302.040	93190503	SPACER RING	1				0,000		
110	1315.303.027	8866396	ROTOR	1				0,000		
120	1314.202.039	42531421	PUMP SHAFT	1			KPL.	0,000		
140	1325.303.017	42562899	PUMP COVER	1				0,000		
150	0736.101.076		TORX SCREW	1				8		
160	0736.101.076		TORX SCREW	1				8		

Plant

Page 1 from 1

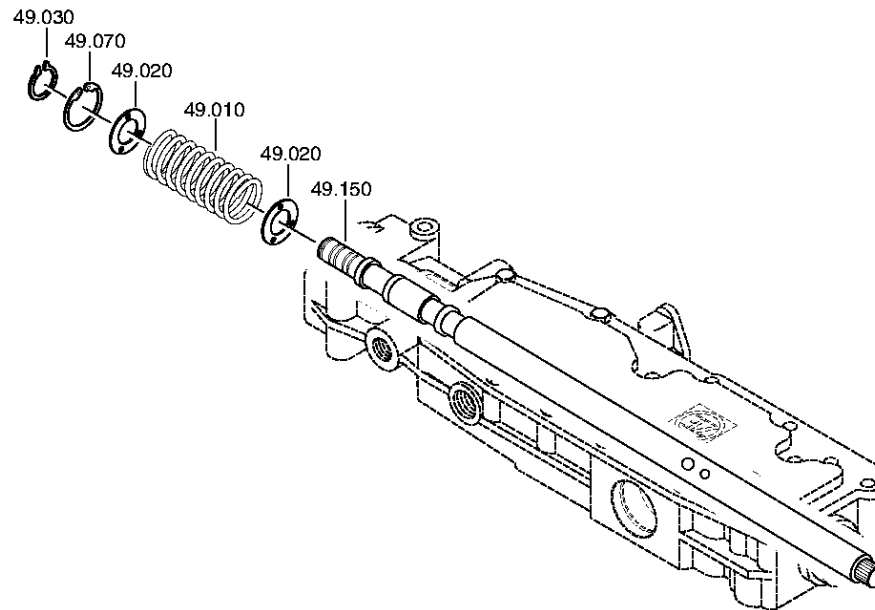
Material number: 1356.001.031

Plate: 068.12.08-1

Material-assembly-group-no: 1316.149.452

16 S 2220 TD / IVECO

SET OF SPRINGS



Parts list

Page 1 from 1

Material number: 1356.001.031

16 S 2220 TD / IVECO

Plate: 068.12.08-1

Material-assembly-group-no: 1316.149.452



Pos.	Material number	Customer material	Name	Quantity	ME	Amend. no.	Techn. Info.	Weight	Rep kit	Alternative material
10	0732.040.237		COMPRSPRING	1		Z00007440210		30		
20	0730.301.376	42564411	WASHER	2		Z00008917410		0,000		
30	0630.532.138	42481201	V-RING	1		Z00007440210		0,000		
70	0630.502.022		RETAINING RING	1		Z00007440210	40X1,75	4,800		
150	1315.307.513		GEAR SHIFT SHAFT	1		Z00007440210		0,000		

Plant

Page 1 from 1

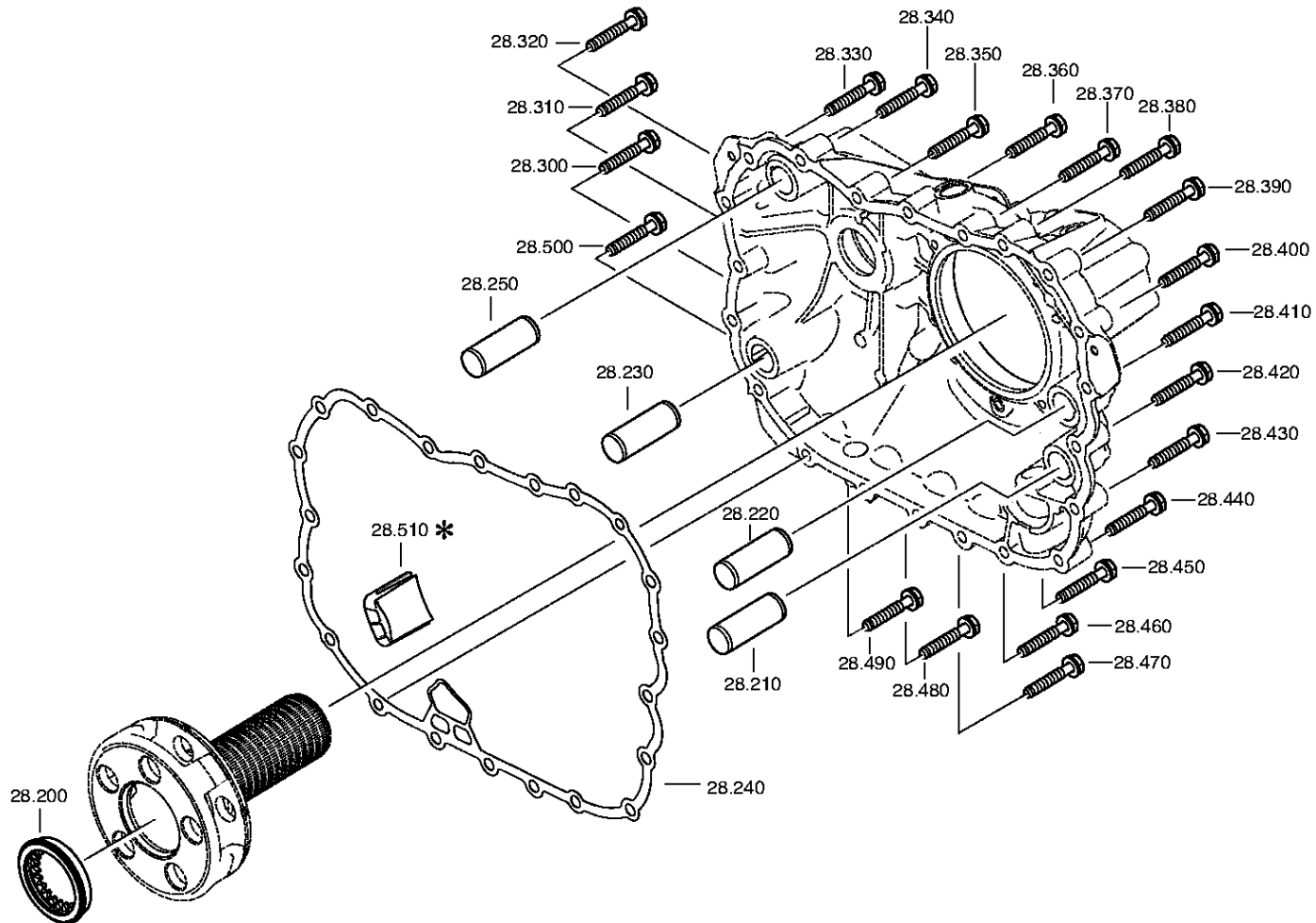
Material number: 1356.001.031

Plate: 161.28.01-1

Material-assembly-group-no: 1325.128.806

16 S 2220 TD / IVECO

PLANETARY RANGE



Parts list

Page 1 from 1

Material number: 1356.001.031

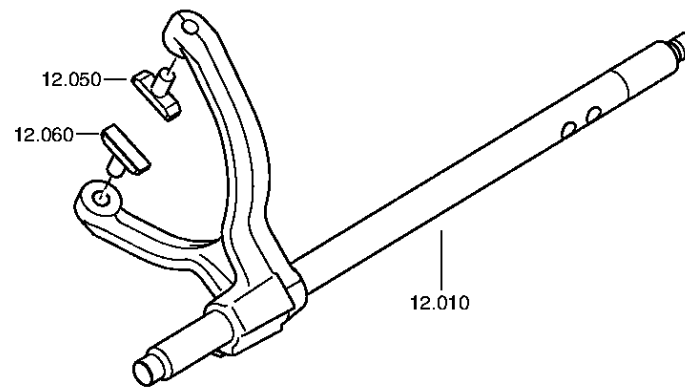
16 S 2220 TD / IVECO

Plate: 161.28.01-1

Material-assembly-group-no: 1325.128.806



Pos.	Material number	Customer material	Name	Quantity	ME	Amend. no.	Techn. Info.	Weight	Rep kit	Alternative material
200	1315.332.054	42537383	PRESSURE DISC	1			ENTHALT.IN 1316 332 074(1)	0,000		
210	0731.300.002	42562901	CYLINDRICAL PIN	1				0,000		
220	0731.300.002	42562901	CYLINDRICAL PIN	1				0,000		
230	0731.300.002	42562901	CYLINDRICAL PIN	1				0,000		
240	0501.323.705	42562902	GASKET	1				0,000		
250	0731.300.002	42562901	CYLINDRICAL PIN	1				0,000		
300	0636.016.405	42563286	HEXAGON BOLT	1		Z00007060111	M10X60	0,000		
310	0636.016.405	42563286	HEXAGON BOLT	1		Z00007060111	M10X60	0,000		
320	0636.016.405	42563286	HEXAGON BOLT	1		Z00007060111	M10X60	0,000		
330	0636.016.405	42563286	HEXAGON BOLT	1		Z00007060111	M10X60	0,000		
340	0636.016.405	42563286	HEXAGON BOLT	1		Z00007060111	M10X60	0,000		
350	0636.016.405	42563286	HEXAGON BOLT	1		Z00007060111	M10X60	0,000		
360	0636.016.405	42563286	HEXAGON BOLT	1		Z00007060111	M10X60	0,000		
370	0636.016.405	42563286	HEXAGON BOLT	1		Z00007060111	M10X60	0,000		
380	0636.016.405	42563286	HEXAGON BOLT	1		Z00007060111	M10X60	0,000		
390	0636.016.405	42563286	HEXAGON BOLT	1		Z00007060111	M10X60	0,000		
400	0636.016.405	42563286	HEXAGON BOLT	1		Z00007060111	M10X60	0,000		
410	0636.016.405	42563286	HEXAGON BOLT	1		Z00007060111	M10X60	0,000		
420	0636.016.405	42563286	HEXAGON BOLT	1		Z00007060111	M10X60	0,000		
430	0636.016.405	42563286	HEXAGON BOLT	1		Z00007060111	M10X60	0,000		
440	0636.016.405	42563286	HEXAGON BOLT	1		Z00007060111	M10X60	0,000		
450	0636.016.405	42563286	HEXAGON BOLT	1		Z00007060111	M10X60	0,000		
460	0636.016.405	42563286	HEXAGON BOLT	1		Z00007060111	M10X60	0,000		
470	0636.016.405	42563286	HEXAGON BOLT	1		Z00007060111	M10X60	0,000		
480	0636.016.405	42563286	HEXAGON BOLT	1		Z00007060111	M10X60	0,000		
490	0636.016.405	42563286	HEXAGON BOLT	1		Z00007060111	M10X60	0,000		
500	0636.016.405	42563286	HEXAGON BOLT	1		Z00007060111	M10X60	0,000		

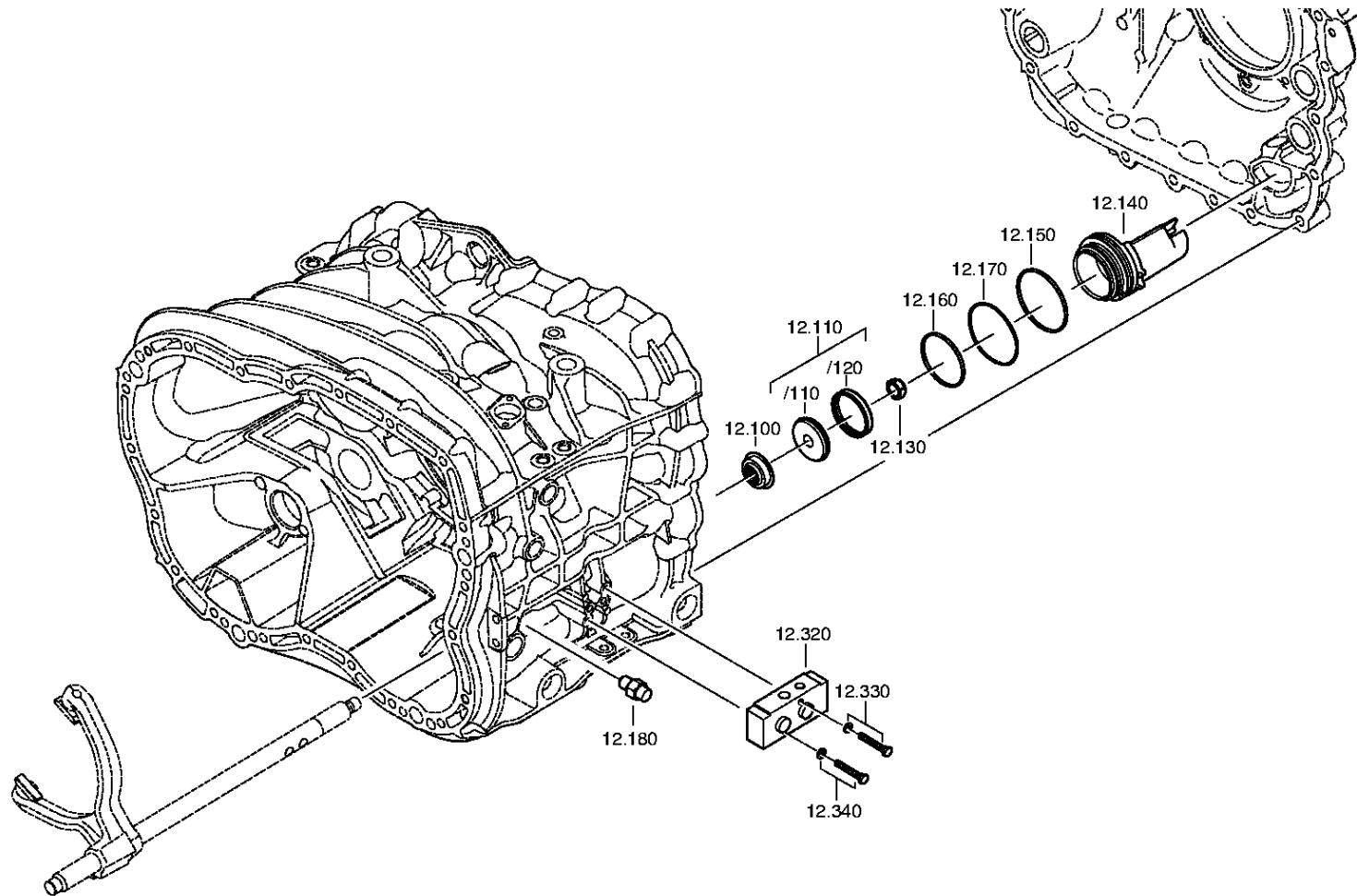


Plant

Page 2 from 2

Material number: 1356.001.031
Plate: 161.40.80-1
GV-SHIFT SYSTEM

16 S 2220 TD / IVECO
GV-SHIFT SYSTEM



Parts list

Page 1 from 1

Material number: 1356.001.031

16 S 2220 TD / IVECO

Plate: 161.40.01-1

Material-assembly-group-no: 1356.112.001



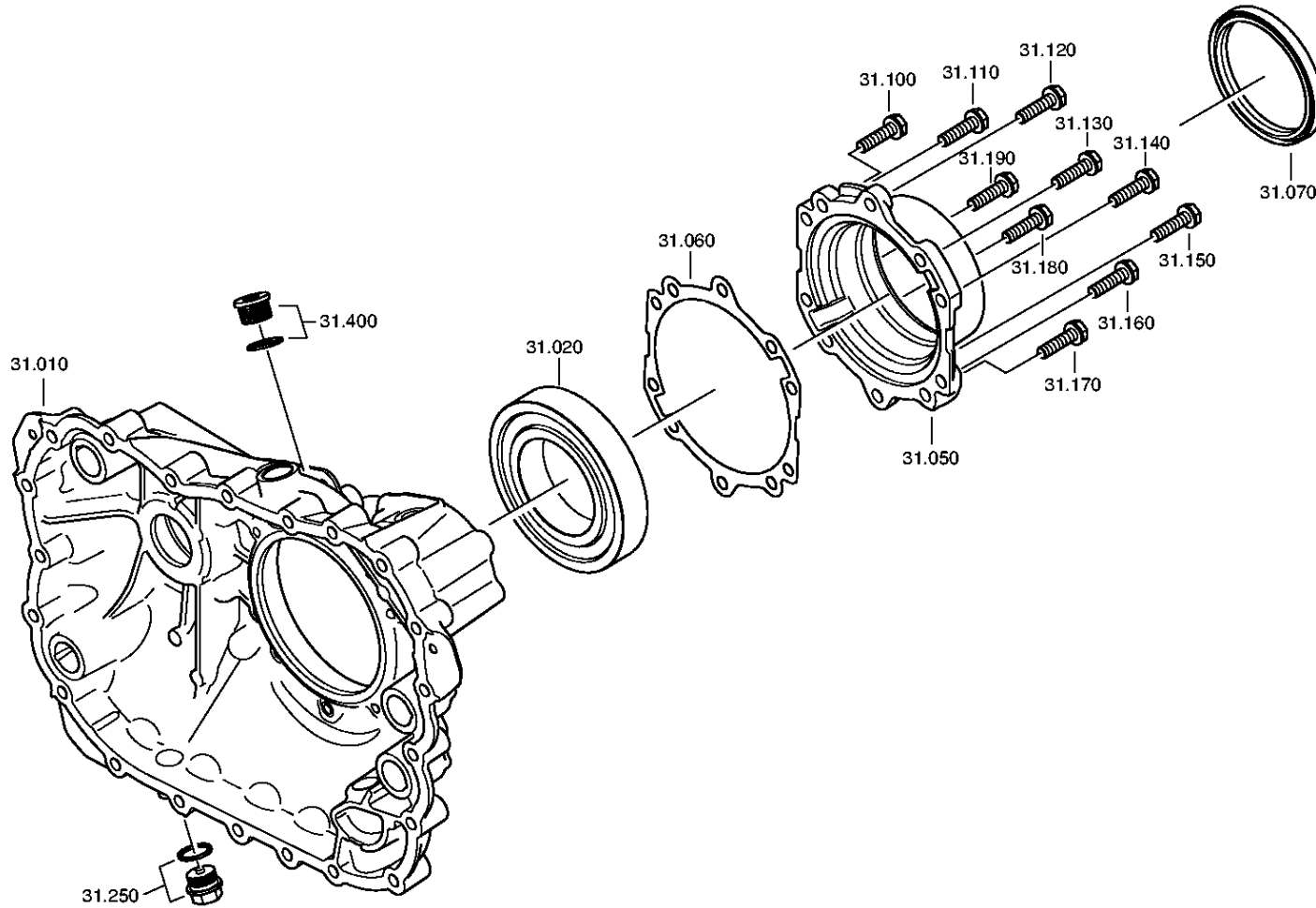
Pos.	Material number	Customer material	Name	Quantity	ME	Amend. no.	Techn. Info.	Weight	Rep kit	Alternative material
10	1356.212.002	42562903	GEAR SHIFT RAIL	1			KPL.GV*E32 LANG*16 GANG	0,000		
50	1316.306.015	42537353	SLIDING PAD	1				0,000		
60	1316.306.015	42537353	SLIDING PAD	1				0,000		
100	0750.112.131	93191207	FLANGE PACKING	1		Z00003588010	25X40X15	0,000		
110	1315.212.008		PISTON	1			KPL.	0,000		
/110	---		PISTON	1			GV SINTER/STAHL	0,000		
---	1315.312.020	93193406	PISTON	1			GV	0,000		
---	1315.312.003		PISTON	1			GV	0,000		
/120	0750.112.177	93193359	DOUBLE U-PACKING	1			55X63X9,4	0,000		
130	0737.300.037	42564412	LOCKING NUT	1			MS16X1,5	0,000		
140	1325.312.012	42562904	CYLINDER	1				0,000		
150	0634.313.018		O-RING	1			82X3	0,000		
160	0634.313.320	93190552	O-RING	1			67X3	0,003		
170	1315.312.034	93190553	SPRING	1				0,000		
180	---		DETENT PLUNGER	1			235N*50N.M	0,000		
---	1324.207.033	42564337	DETENT PLUNGER	1			KPL. *235 N	0,000		
---	0730.008.604	42536433	SEALING RING	1		C01009860C10		0,000		
300	0637.510.665		PLUG	1			M10X1	0,000		
320	0501.219.310	42567284	5/2 WAY VALVE	1		Z00015060511		0,000		
330	0636.100.468		COMBISCREW	1		Z00011778410	M6X40	0,000		
340	0636.100.468		COMBISCREW	1		Z00011778410	M6X40	0,000		

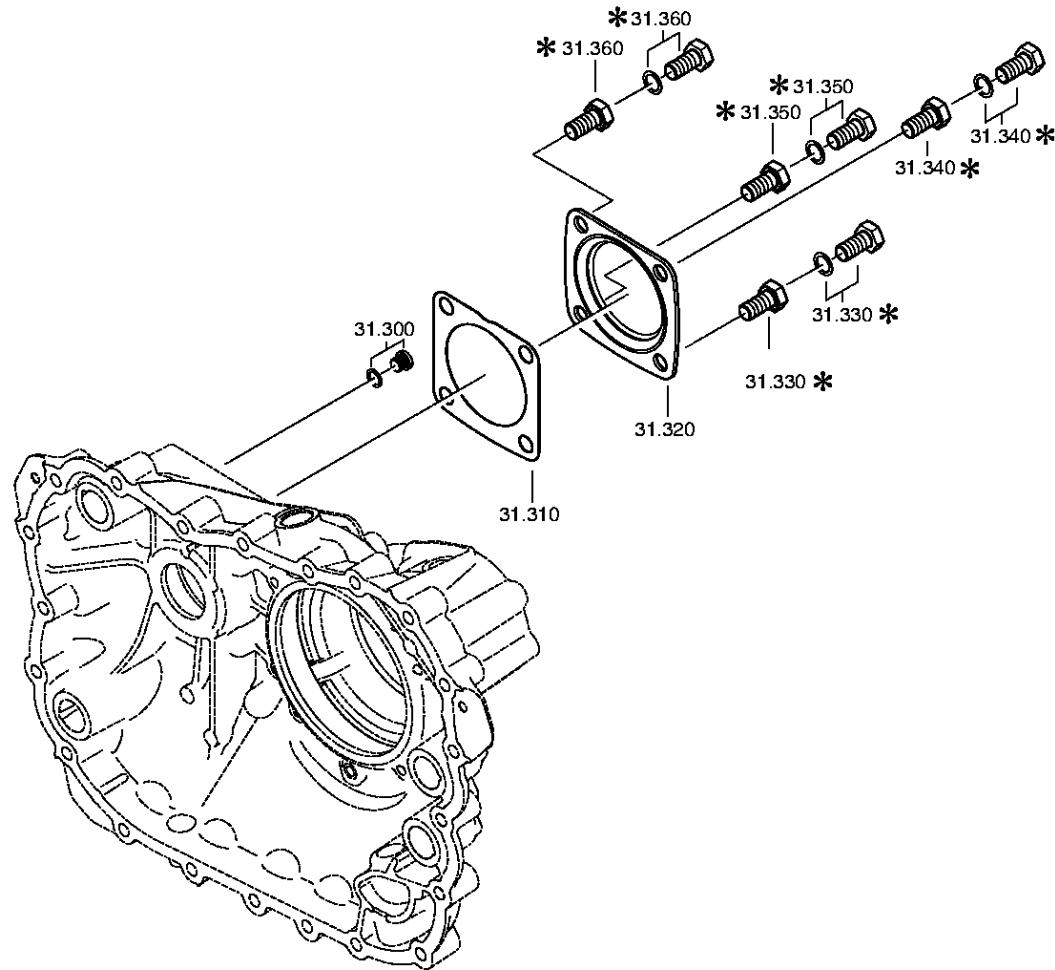
Plant

Page 1 from 2

Material number: 1356.001.031
Plate: 161.43.03-1
GP HOUSING

16 S 2220 TD / IVECO
GP HOUSING





Parts list

Page 1 from 1

Material number: 1356.001.031

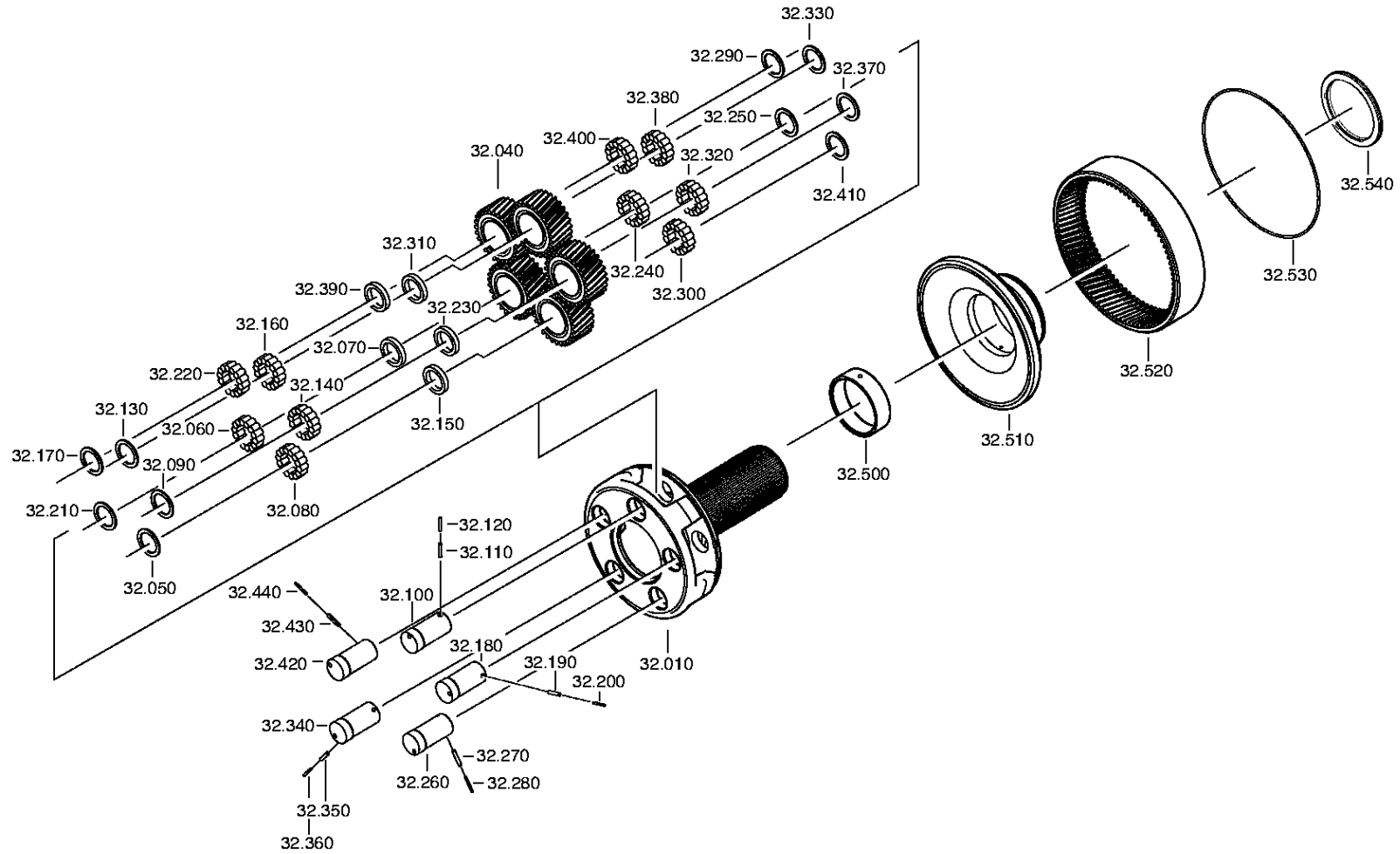
16 S 2220 TD / IVECO

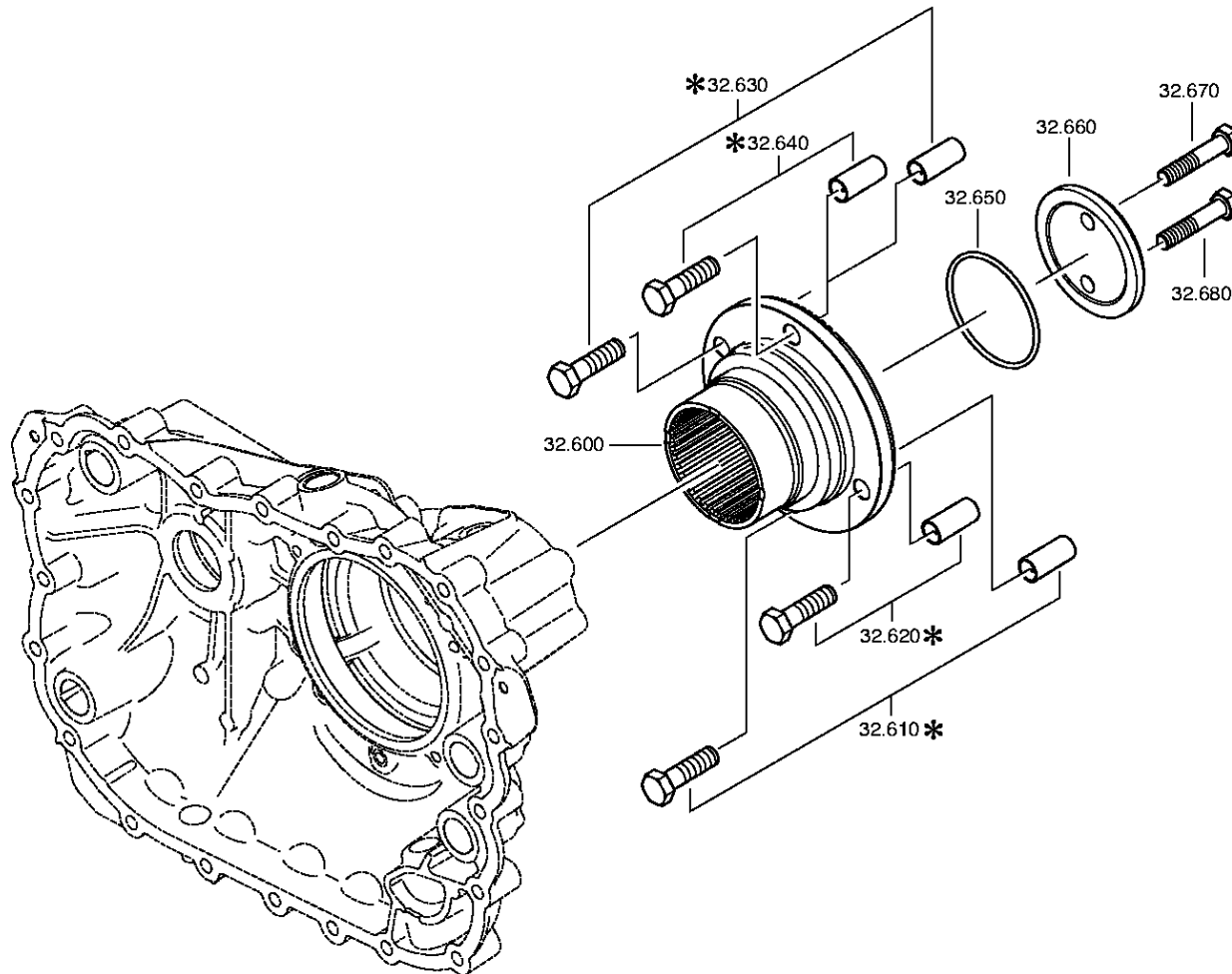
Plate: 161.43.03-1

Material-assembly-group-no: 1325.131.012



Pos.	Material number	Customer material	Name	Quantity	ME	Amend. no.	Techn. Info.	Weight	Rep kit	Alternative material
10	1325.301.065	42562906	GEARBOX HOUSING	1				0,000		
20	0750.116.394	42541739	BALL BEARING	1			90,0X160,0X30,0	0,000		
50	1325.331.001	42562907	COVER	1				0,000		
60	0501.324.362	42562908	GASKET	1				0,000		
70	---		SHAFT SEAL	1			105X125X12,0/9,5	0,000		
---	0734.319.459	8866225	SHAFT SEAL	1			105X125X12/9,5	0,000		
100	0636.100.433	42568631	HEXAGON BOLT	1		Z00009178010	M10X40	0,000		
110	0636.100.433	42568631	HEXAGON BOLT	1		Z00009178010	M10X40	0,000		
120	0636.100.433	42568631	HEXAGON BOLT	1		Z00009178010	M10X40	0,000		
130	0636.100.433	42568631	HEXAGON BOLT	1		Z00009178010	M10X40	0,000		
140	0636.100.433	42568631	HEXAGON BOLT	1		Z00009178010	M10X40	0,000		
150	0636.100.433	42568631	HEXAGON BOLT	1		Z00009178010	M10X40	0,000		
160	0636.100.433	42568631	HEXAGON BOLT	1		Z00009178010	M10X40	0,000		
170	0636.100.433	42568631	HEXAGON BOLT	1		Z00009178010	M10X40	0,000		
180	0636.100.433	42568631	HEXAGON BOLT	1		Z00009178010	M10X40	0,000		
190	0636.100.433	42568631	HEXAGON BOLT	1		Z00009178010	M10X40	0,000		
250	---		SCREW PLUG	1		Z00010176111	M24X1,5	0,000		
---	0736.300.160	42564413	SCREW PLUG	1		Z00010176110	M24X1,5 M24X1,5	0,000		
---	0730.008.637		SEALING RING	1		Z00010176110	24X29	0,000		
300	---		SCREW PLUG	1		C01004359F10	15N.M*DICHTRING M10X1	0,000		
---	0636.100.793		SCREW PLUG	1		Z00010111613	M10X1	0,000		
---	0730.008.055	42560410	SEALING RING	1			10X14	0,000		
310	1238.308.201	8866426	GASKET	1			ENTHALT.IN 1238 308 202(2)	0,000		
320	1328.301.170	42563293	COVER	1		Z00008068010		0,000		
330	0636.016.406		HEXAGON BOLT	1		Z00007061014	M12X25	0,000		
340	0636.016.406		HEXAGON BOLT	1		Z00007061014	M12X25	0,000		
350	0636.016.406		HEXAGON BOLT	1		Z00007061014	M12X25	0,000		
360	0636.016.406		HEXAGON BOLT	1		Z00007061014	M12X25	0,000		
400	---		SCREW PLUG	1		Z00010111513	35N.M*DICHTRING M18X1,5	0,000		
---	0636.100.791		SCREW PLUG	1		Z00010111521	M18X1,5	0,000		
---	0634.801.062		SEALING RING	1		Z00010111521	18X24	0,001		





Parts list

Page 1 from 3

Material number: 1356.001.031

16 S 2220 TD / IVECO

Plate: 161.44.01-1

Material-assembly-group-no: 1325.132.003



Pos.	Material number	Customer material	Name	Quantity	ME	Amend. no.	Techn. Info.	Weight	Rep kit	Alternative material
10	1316.232.039	42567347	PLANET CARRIER	1		Z00014438013		0,000		
40	1316.232.011	42538903	PLANET GEAR SET	1			KPL.	0,000		
50	0730.109.323	42471323	INTERMWASHER	1			A=2,30 IN 0730 105 951(2)	0,013		
60	1325.232.001	42562910	ROLLER	1			KPL.SATZ*PLANETENRAD	0,000		
70	0730.109.309	42538904	INTERMWASHER	1			A=7,90 IN 0730 105 951(2)	0,000		
80	1325.232.001	42562910	ROLLER	1			KPL.SATZ*PLANETENRAD	0,000		
90	0730.109.323	42471323	INTERMWASHER	1			A=2,30 IN 0730 105 951(2)	0,013		
100	1316.332.140	42567438	PLANET SHAFT	1		Z00014438013		0,000		
110	0631.329.147	42567436	SLOTPIN	1			6X26	0,000		
120	0631.329.261	42567437	SLOTPIN	1			3,5X26	0,000		
130	0730.109.323	42471323	INTERMWASHER	1			A=2,30 IN 0730 105 951(2)	0,013		
140	1325.232.001	42562910	ROLLER	1			KPL.SATZ*PLANETENRAD	0,000		
150	0730.109.309	42538904	INTERMWASHER	1			A=7,90 IN 0730 105 951(2)	0,000		
160	1325.232.001	42562910	ROLLER	1			KPL.SATZ*PLANETENRAD	0,000		
170	0730.109.323	42471323	INTERMWASHER	1			A=2,30 IN 0730 105 951(2)	0,013		
180	1316.332.140	42567438	PLANET SHAFT	1		Z00014438013		0,000		
190	0631.329.147	42567436	SLOTPIN	1			6X26	0,000		
200	0631.329.261	42567437	SLOTPIN	1			3,5X26	0,000		
210	0730.109.323	42471323	INTERMWASHER	1			A=2,30 IN 0730 105 951(2)	0,013		
220	1325.232.001	42562910	ROLLER	1			KPL.SATZ*PLANETENRAD	0,000		
230	0730.109.309	42538904	INTERMWASHER	1			A=7,90 IN 0730 105 951(2)	0,000		
240	1325.232.001	42562910	ROLLER	1			KPL.SATZ*PLANETENRAD	0,000		
250	0730.109.323	42471323	INTERMWASHER	1			A=2,30 IN 0730 105 951(2)	0,013		
260	1316.332.140	42567438	PLANET SHAFT	1		Z00014438013		0,000		
270	0631.329.147	42567436	SLOTPIN	1			6X26	0,000		

Parts list

Page 2 from 3

Material number: 1356.001.031

16 S 2220 TD / IVECO

Plate: 161.44.01-1

Material-assembly-group-no: 1325.132.003



Pos.	Material number	Customer material	Name	Quantity	ME	Amend. no.	Techn. Info.	Weight	Rep kit	Alternative material
280	0631.329.261	42567437	SLOTPIN	1			3,5X26	0,000		
290	0730.109.323	42471323	INTERWASHER	1			A=2,30 IN 0730 105 951(2)	0,013		
300	1325.232.001	42562910	ROLLER	1			KPL.SATZ*PLANETENRAD	0,000		
310	0730.109.309	42538904	INTERWASHER	1			A=7,90 IN 0730 105 951(2)	0,000		
320	1325.232.001	42562910	ROLLER	1			KPL.SATZ*PLANETENRAD	0,000		
330	0730.109.323	42471323	INTERWASHER	1			A=2,30 IN 0730 105 951(2)	0,013		
340	1316.332.140	42567438	PLANET SHAFT	1		Z00014438013		0,000		
350	0631.329.147	42567436	SLOTPIN	1			6X26	0,000		
360	0631.329.261	42567437	SLOTPIN	1			3,5X26	0,000		
370	0730.109.323	42471323	INTERWASHER	1			A=2,30 IN 0730 105 951(2)	0,013		
380	1325.232.001	42562910	ROLLER	1			KPL.SATZ*PLANETENRAD	0,000		
390	0730.109.309	42538904	INTERWASHER	1			A=7,90 IN 0730 105 951(2)	0,000		
400	1325.232.001	42562910	ROLLER	1			KPL.SATZ*PLANETENRAD	0,000		
410	0730.109.323	42471323	INTERWASHER	1			A=2,30 IN 0730 105 951(2)	0,013		
420	1316.332.140	42567438	PLANET SHAFT	1		Z00014438013		0,000		
430	0631.329.147	42567436	SLOTPIN	1			6X26	0,000		
440	0631.329.261	42567437	SLOTPIN	1			3,5X26	0,000		
500	1325.332.011	42562911	BUSH	1				0,000		
510	1316.332.130		RING GEAR CARRIER	1				0,000		
520	1315.332.041	42535034	RING GEAR	1			IN 1316 332 055(1)	0,000		
530	0730.513.583	42535035	LOCKING WIRE	1			A=3,20 IN 0730 505 052(2)	0,000		
540	0735.298.169	2991822	AXIAL NEEDLE BEARING	1			104,5X128,4X10,0 FA.INA	0,000		
600	1325.332.026	42567719	OUTPUT FLANGE	1			KORR.GESCH. ZINI-P* STANDARD	0,000		
650	0634.313.805		O-RING	1			82X4	0,000		
660	1312.332.028	8866104	WASHER	1				0,000		
670	0636.011.777	42564320	HEXAGON BOLT	1		Z00007292012	M12X60	0,000		

Parts list

Page 3 from 3

Material number: 1356.001.031

16 S 2220 TD / IVECO

Plate: 161.44.01-1

Material-assembly-group-no: 1325.132.003



Pos.	Material number	Customer material	Name	Quantity	ME	Amend. no.	Techn. Info.	Weight	Rep kit	Alternative material
680	0636.011.777	42564320	HEXAGON BOLT	1		Z00007292012	M12X60	0,000		

Plant

Page 1 from 1

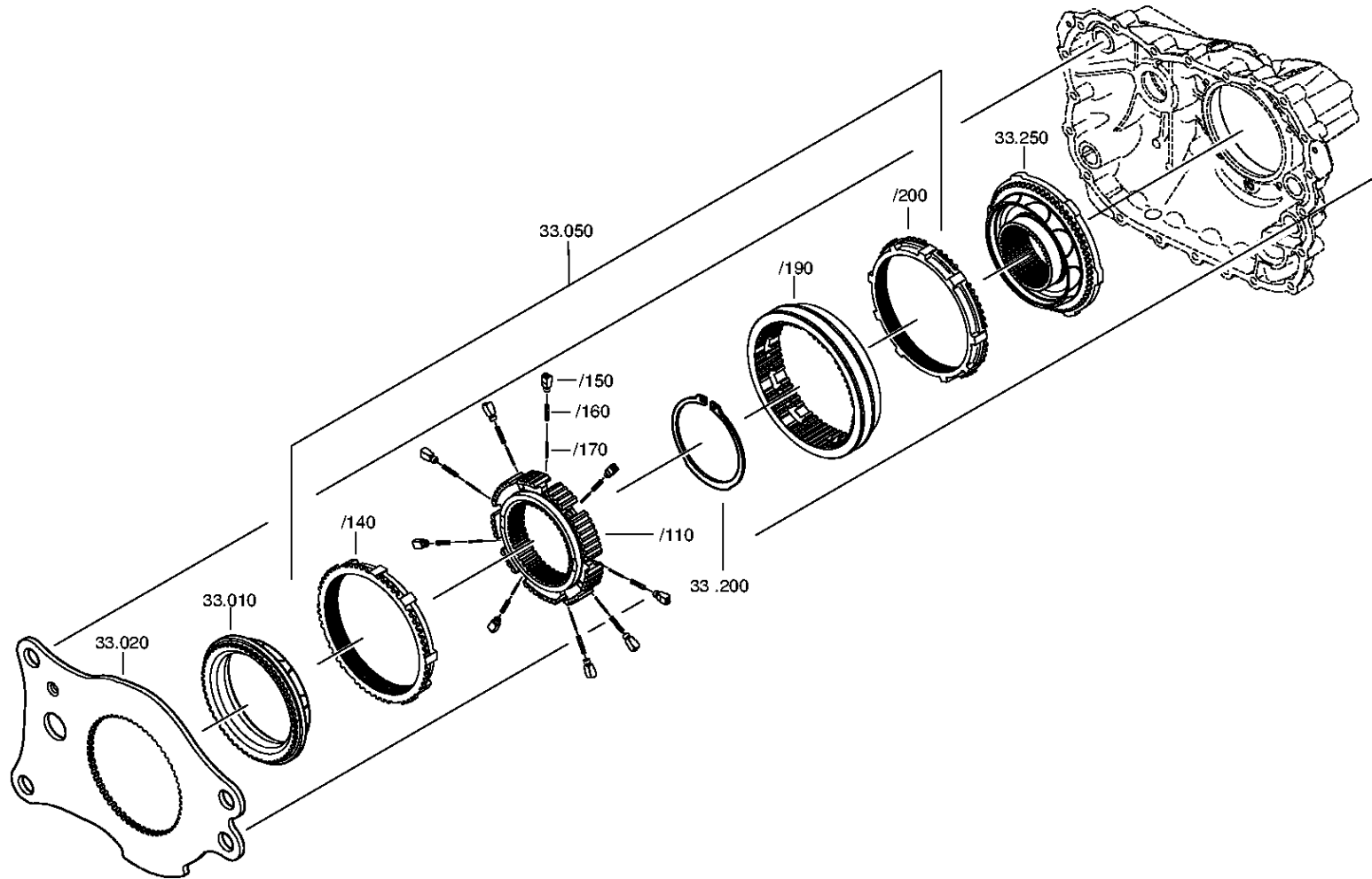
Material number: 1356.001.031

Plate: 161.45.01-1

Material-assembly-group-no: 1325.133.004

16 S 2220 TD / IVECO

SYNCHRONIZER



Parts list

Page 1 from 1

Material number: 1356.001.031

16 S 2220 TD / IVECO

Plate: 161.45.01-1

Material-assembly-group-no: 1325.133.004



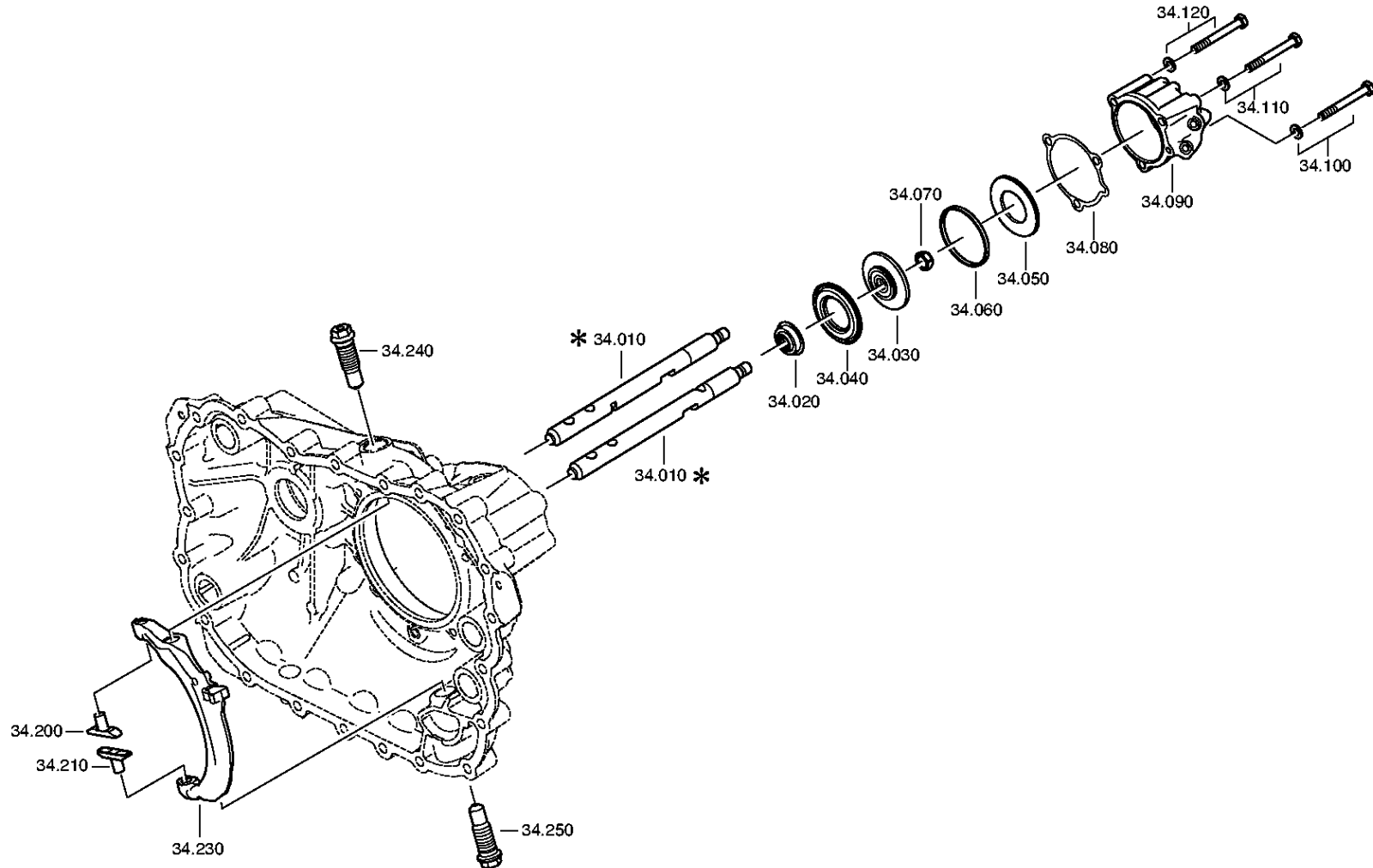
Pos.	Material number	Customer material	Name	Quantity	ME	Amend. no.	Techn. Info.	Weight	Rep kit	Alternative material
10	1296.333.050	42535041	CLUTCH BODY	1			ENTHALT.IN 1296.333.053(1)	0,000		
20	1325.333.016	42562913	PLATE	1				0,000		
50	1325.233.008		SYNCHRONIZER	1			KPL.GP*DRUCKGUSS	0,000		
/110	1313.333.001	93163920	SYNCHROBODY	1			ENTHALT.IN 1296 333 014(1)	0,000		
/140	1296.333.045	42532826	SYNCHRORING	1				0,000		
/150	1240.304.278	8866440	PRESSURE PIECE	9				0,000		
/160	0732.040.385	8866221	COMPRSPRING	9				0,000		
/170	0732.040.386	8866148	COMPRSPRING	9				0,000		
/190	1325.333.018	42562914	SLIDING SLEEVE	1				0,000		
/200	1296.333.045	42532826	SYNCHRORING	1				0,000		
200	0630.501.175	42492546	RETAINING RING	1			125X3,7	0,000		
250	1325.233.007	42562915	CLUTCH BODY	1			KPL.	0,000		

Plant

Page 1 from 2

Material number: 1356.001.031
Plate: 161.46.01-1
GP SHIFT SYSTEM

16 S 2220 TD / IVECO
GP SHIFT SYSTEM

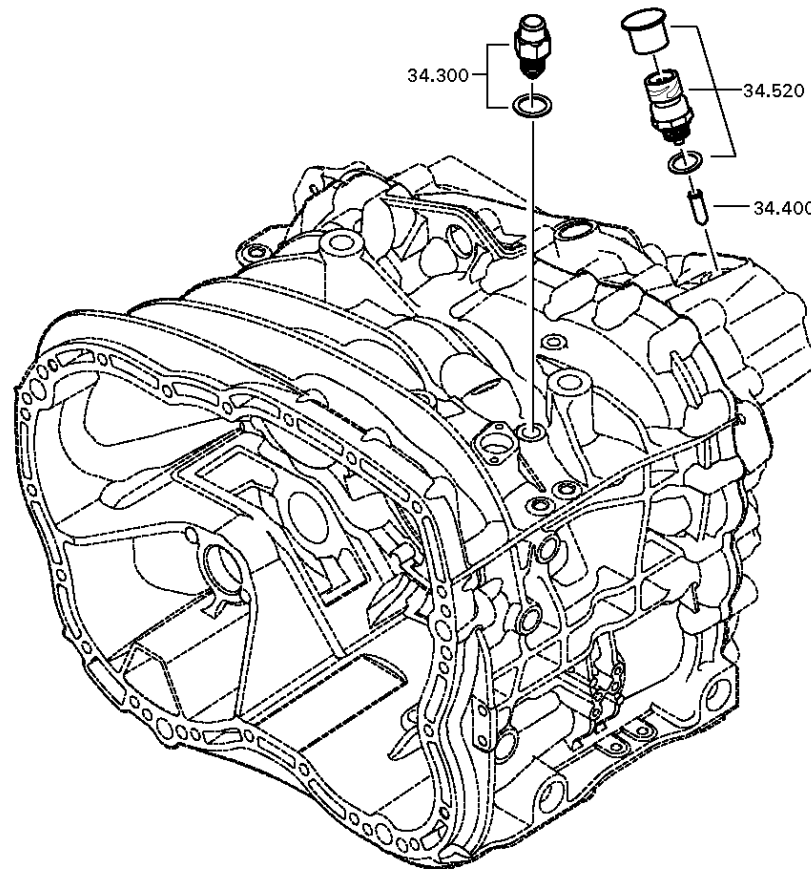


Plant

Page 2 from 2

Material number: 1356.001.031
Plate: 161.46.40-1
GP SHIFT SYSTEM

16 S 2220 TD / IVECO
GP SHIFT SYSTEM



Parts list

Page 1 from 2

Material number: 1356.001.031

16 S 2220 TD / IVECO

Plate: 161.46.01-1

Material-assembly-group-no: 1325.134.006



Pos.	Material number	Customer material	Name	Quantity	ME	Amend. no.	Techn. Info.	Weight	Rep kit	Alternative material
10	1325.334.017	42562916	GEAR SHIFT RAIL	1				0,000		
20	0750.112.253		FLANGE PACKING	1			25X40X15	0,000		
30	---		PISTON	1			GP	0,000		
---	1315.334.034	93193604	PISTON	1			ENTHALT.IN 1315 334 040(2)	0,000		
---	1315.334.063		PISTON	1				0,000		
40	0734.307.294	42530451	SEALING RING	1			49X91X7,4 FA.KACO	0,000		
50	0734.307.294	42530451	SEALING RING	1			49X91X7,4 FA.KACO	0,000		
60	0750.112.066	8190758	GUIDE RING	1				0,000		
70	0737.300.037	42564412	LOCKING NUT	1			MS16X1,5	0,000		
80	0501.322.778	42562917	GASKET	1				0,000		
90	1325.334.013	42562918	CYLINDER	1			GP	0,000		
100	---		HEXAGON BOLT	1		Z00007349210	M10X90	0,000		
---	0636.015.688	42564542	HEXAGON BOLT	1		Z00007349212	M10X90	0,000		
---	0630.100.294	42564416	WASHER	1		Z00007158111		0,000		
110	---		HEXAGON BOLT	1		Z00007349210	M10X90	0,000		
---	0636.015.688	42564542	HEXAGON BOLT	1		Z00007349212	M10X90	0,000		
---	0630.100.294	42564416	WASHER	1		Z00007158111		0,000		
120	---		HEXAGON BOLT	1		Z00007349210	M10X90	0,000		
---	0636.015.688	42564542	HEXAGON BOLT	1		Z00007349212	M10X90	0,000		
---	0630.100.294	42564416	WASHER	1		Z00007158111		0,000		
200	1325.334.008	42562919	SLIDING PAD	1			GP	0,000		
210	1325.334.008	42562919	SLIDING PAD	1			GP	0,000		
230	1325.334.007	42562920	GEAR SHIFT FORK	1			GP	0,000		
240	---		ARTICULATION BOLT	1			O.SCHEIBE M24X1,5 SK6	0,000		
---	1315.334.074	42561618	ARTICULATION BOLT	1		Z00004075610		0,000		
250	---		ARTICULATION BOLT	1			O.SCHEIBE M24X1,5 SK6	0,000		
---	1315.334.074	42561618	ARTICULATION BOLT	1		Z00004075610		0,000		
300	---		DETENT PLUNGER	1			145N*50N.M	0,000		
---	1324.207.035	42564261	DETENT PLUNGER	1			KPL. *145 N	0,000		
---	0730.008.604	42536433	SEALING RING	1				0,000		
400	1295.212.006	7982152	PIN	1			KPL.	0,000		
520	---		SWITCH	1			SCHL*45N.M*DICHTRING* BAJONETT*SCHUTZKAPPE	0,000		

Parts list

Page 2 from 2

Material number: 1356.001.031

16 S 2220 TD / IVECO

Plate: 161.46.01-1

Material-assembly-group-no: 1325.134.006



Pos.	Material number	Customer material	Name	Quantity	ME	Amend. no.	Techn. Info.	Weight	Rep kit	Alternative material
---	0501.210.058	42531807	SWITCH	1			KPL.	0,000		
---	0634.801.062		SEALING RING	1			18X24	0,001		
---	0700.300.427		PROTECTION CAP	1				0,005		

Plant

Page 1 from 1

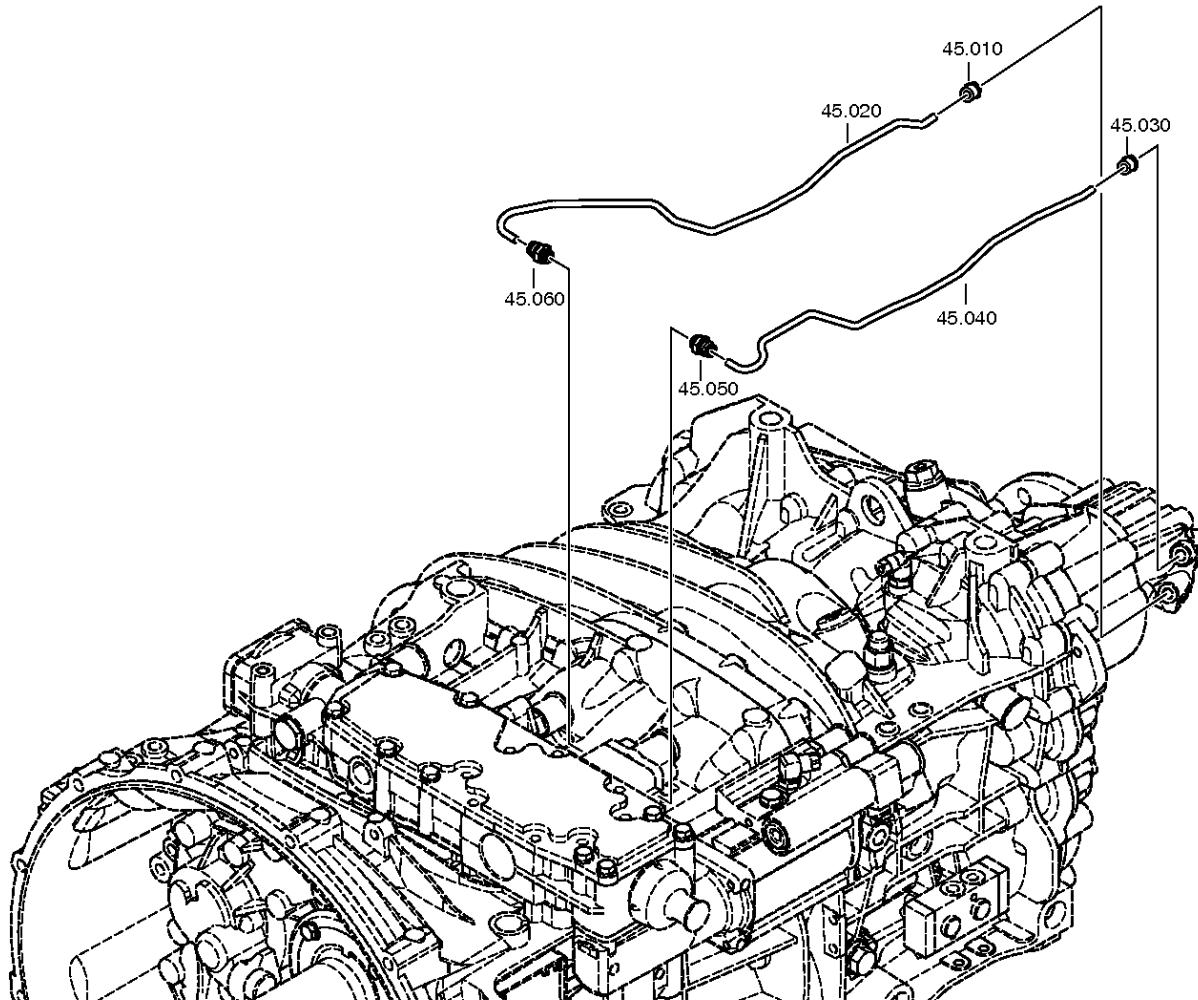
Material number: 1356.001.031

Plate: 161.57.04-1

Material-assembly-group-no: 1325.145.004

16 S 2220 TD / IVECO

RANGE SELECTION



Parts list

Page 1 from 1

Material number: 1356.001.031

16 S 2220 TD / IVECO

Plate: 161.57.04-1

Material-assembly-group-no: 1325.145.004



Pos.	Material number	Customer material	Name	Quantity	ME	Amend. no.	Techn. Info.	Weight	Rep kit	Alternative material
10	0501.324.029	42562506	MALE COUPLING	1				0,000		
20	1325.345.009	42562921	PIPE	1			H-H	0,000		
30	0501.324.029	42562506	MALE COUPLING	1				0,000		
40	1325.345.008	42562922	PIPE	1			E13MP	0,000		
50	0501.326.099	42562923	MALE COUPLING	1			M14X1,5 ROHR 8MM	0,000		
60	0501.326.099	42562923	MALE COUPLING	1			M14X1,5 ROHR 8MM	0,000		

Plant

Page 1 from 1

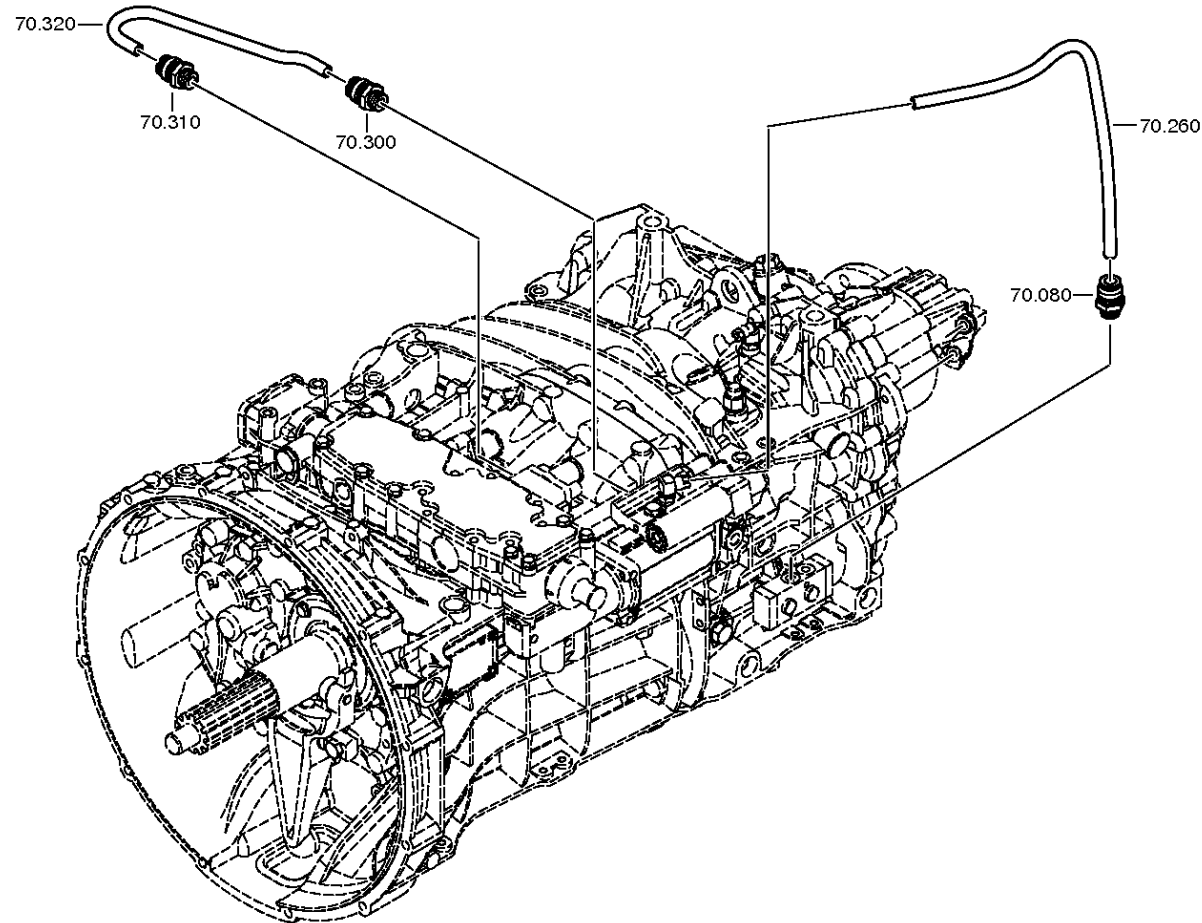
Material number: 1356.001.031

Plate: 161.70.06-1

Material-assembly-group-no: 1356.170.009

16 S 2220 TD / IVECO

SHUT-OFF VALVE



Parts list

Page 1 from 1

Material number: 1356.001.031

16 S 2220 TD / IVECO

Plate: 161.70.06-1

Material-assembly-group-no: 1356.170.009



Pos.	Material number	Customer material	Name	Quantity	ME	Amend. no.	Techn. Info.	Weight	Rep kit	Alternative material
80	0501.324.666	42562924	MALE COUPLING	1			M12X1,5 ROHR 8MM DROSSEL	0,000		
260	0730.301.003	42562925	PIPE	1		Z00006626010	8X1X450 8X1X450	0,000		
300	0501.324.477	42562926	MALE COUPLING	1			M12X1,5 ROHR 8MM	0,000		
310	0501.324.477	42562926	MALE COUPLING	1			M12X1,5 ROHR 8MM	0,000		
320	1325.345.029	42562927	PIPE	1				0,000		

Plant

Page 1 from 1

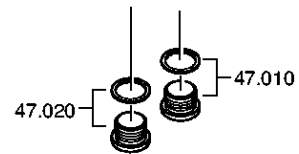
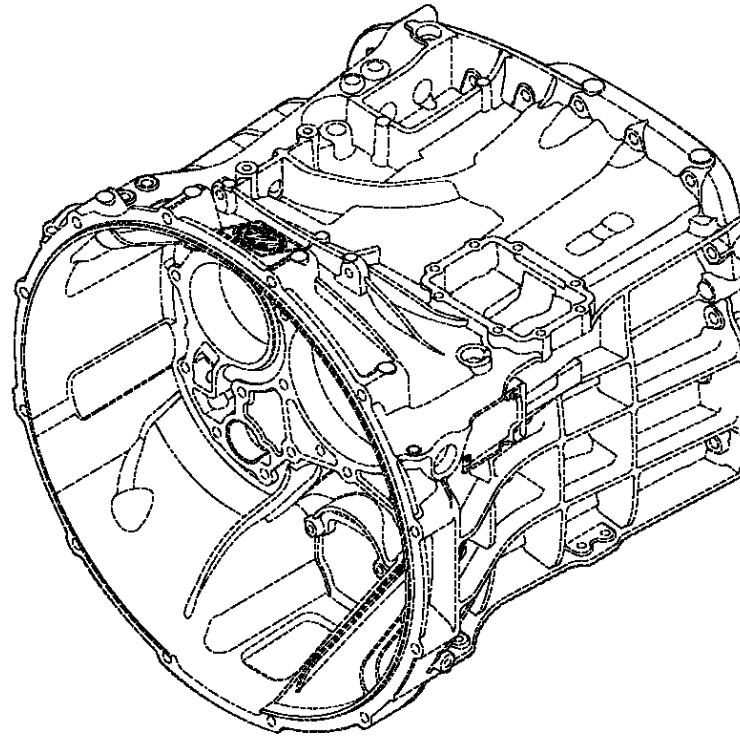
Material number: 1356.001.031

Plate: 161.90.08

Material-assembly-group-no: 1325.147.009

16 S 2220 TD / IVECO

SCREW PLUG



Parts list

Page 1 from 1

Material number: 1356.001.031

16 S 2220 TD / IVECO

Plate: 161.90.08

Material-assembly-group-no: 1325.147.009



Pos.	Material number	Customer material	Name	Quantity	ME	Amend. no.	Techn. Info.	Weight	Rep kit	Alternative material
10	---		SCREW PLUG	1		Z00010164013	50N.M*DICHTRING M22X1,5	0,000		
---	0636.100.824	42564399	SCREW PLUG	1		Z00010164019	M22X1,5	0,000		
---	0730.009.515	42536385	SEALING RING	1		Z00010164019	A22X27	0,000		
20	---		SCREW PLUG	1		Z00010164013	50N.M*DICHTRING M22X1,5	0,000		
---	0636.100.824	42564399	SCREW PLUG	1		Z00010164019	M22X1,5	0,000		
---	0730.009.515	42536385	SEALING RING	1		Z00010164019	A22X27	0,000		

Plant

Page 1 from 1

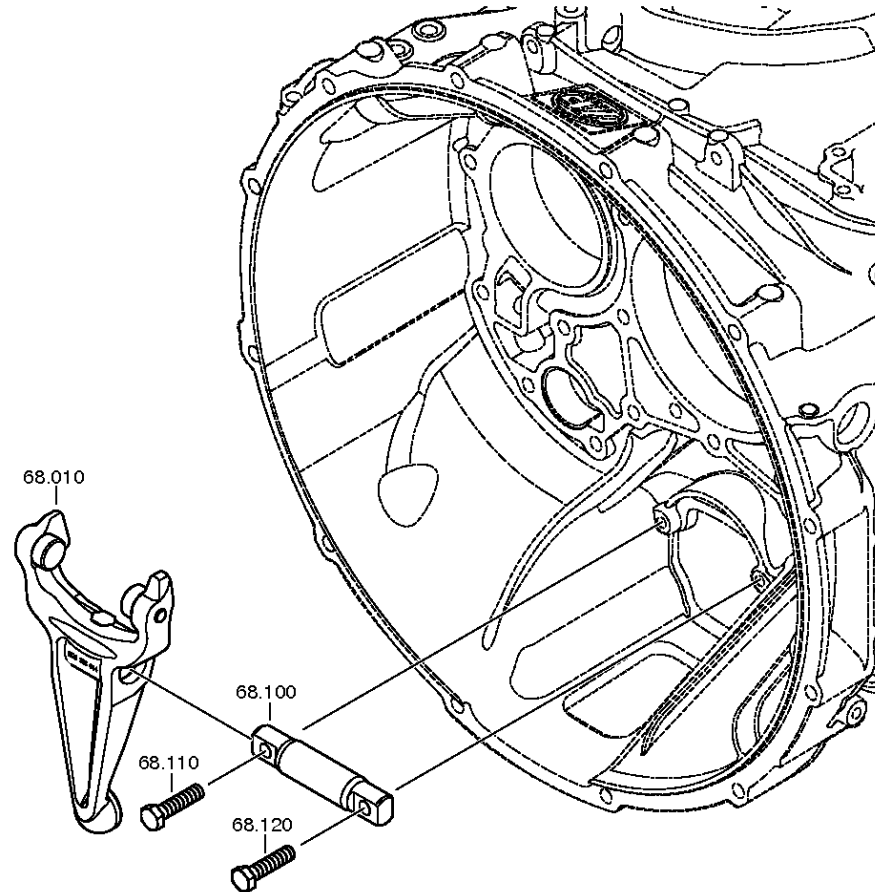
Material number: 1356.001.031

Plate: 161.93.25-1

Material-assembly-group-no: 1325.168.005

16 S 2220 TD / IVECO

CLUTCH RELEASE DEVICE



Parts list

Page 1 from 1

Material number: 1356.001.031

16 S 2220 TD / IVECO

Plate: 161.93.25-1

Material-assembly-group-no: 1325.168.005



Pos.	Material number	Customer material	Name	Quantity	ME	Amend. no.	Techn. Info.	Weight	Rep kit	Alternative material
10	1328.268.012	42563674	RELEASE FORK	1		Z00004402510	KPL*GABELWEITE 116,0*KUGEL D=22*I=2, 00*MIT ROLLE*1-SK	0,000		
/110	1328.368.044	42563308	RELEASE FORK	1		Z00004402511		0,000		
/120	0501.331.258		BALL CUP	1		Z00021393210		0,000		
/130	0501.323.199		BEARING BUSH	1		Z00004402511		0,000		
/150	0501.214.560		CAM FOLLOWER	1		Z00004402511	KPL.	0,000		
/160	0501.214.560		CAM FOLLOWER	1		Z00004402511	KPL.	0,000		
100	1328.368.001	42537411	RELEASE SHAFT	1				0,000		
110	0636.016.416	42564417	HEXAGON BOLT	1		Z00015886110	M12X50	0,000		
120	0636.016.416	42564417	HEXAGON BOLT	1		Z00015886110	M12X50	0,000		